

TOPOGRAPHIC SHOWING EXISTING
CONDITIONS UPON

LOT 28
of "MAUNA LANI RESORT SITE B SUBDIVISION NO. 3"
Being a Portion of Subdivision Map 09-000960
at Kalahuipuaa & Waikoloa,
South Kohala, County of Hawaii, State of Hawaii
TMK: (3) 6-8-043:028

TRUE NORTH



LOT 27
13,528 Sq. Ft.

LOT 26
12,343 Sq. Ft.

EASEMENT "W-7"
FOR WATERLINE PURPOSES
18 Sq. Ft.

FIRE
HYDRANT

WATER VALVE
ELEV.=25.84

IRON PIPE
FOUND

FENCE

278°21'00"
92.92'

IRON PIPE
FOUND

TW=32.65

AKEA
PLACE

Edge of Asphalt

170°06'00"
153.71'

LOT 28
12,895 Sq. Ft.
Address No. 68-1016

CRM
WALL

TW=32.7

LOT 29
13,760 Sq. Ft.

163.01'
00°00'00"

LEGEND UTILITY BOXES	
■	HELCO
■	WATER METER
■	HTC
■	TV
	CRM WALL

171°53'04"
13.51'
R=217.0'

NAIL SET

NAIL SET

131°24'04"
18.83'
R=14.0'

NAIL SET

49.48'
89°08'00"

Edge of Asphalt

NOHEA MAKAI STREET

WATER
METER(2)

IRON PIPE
FOUND

NOTES:

- 1) The distances shown between the property lines & the features, shown hereon, are based on selected found boundary monuments & acceptable tolerances for properties of this type.
- 2) The features shown and mapped hereon were located by an actual survey performed on the ground on October 26th, 2020.
- 3) Elevations shown and mapped hereon are based on a published benchmark (highway monument).
- 4) SCALE: One inch equals feet 1"= 20'

FLOOD NOTE

According to the F.I.R.M. # 155166 0303 F, dated 09-29-2017 this property does lie in "Zone X" and does not lie within the 100-year flood zone.

NOTE: BASIS OF AZIMUTH
DERIVED USING HEMISPHERE
GPS RTK SYSTEM

NOTE: ALL AZIMUTHS &
DISTANCES ARE SHOWN
& MAPPED HEREON IN A
CLOCKWISE DIRECTION

I, Thomas G. Pattison, do hereby certify to the best of my professional knowledge, information, and belief that this map and the survey upon which it is based correctly shows the boundary lines and topographic features as shown on the ground.

-COPY-

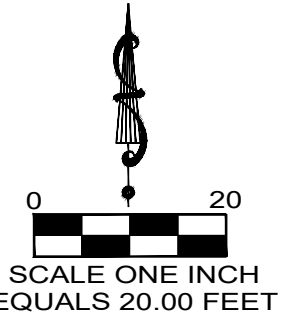
THOMAS G. PATTISON
November 12th, 2021
Hawaii License No. 10743

Setback Lines are shown from current data, but should be verified by builder. The description on this plat was provided to us by the client, and does not guarantee ownership, and should be compared to your Deed, Abstract or Certificate of Title. All building restrictions, building lines and easements may or may not be shown, check your Deed, Abstract, Title Report, and local ordinances, no responsibility is assumed by Surveyor. Compare all points before building by same and report any discrepancy at once. Dimensions are shown in feet and decimal parts thereof, no dimension is to be assumed by scaling.

TOPOGRAPHIC SHOWING EXISTING
CONDITIONS UPON

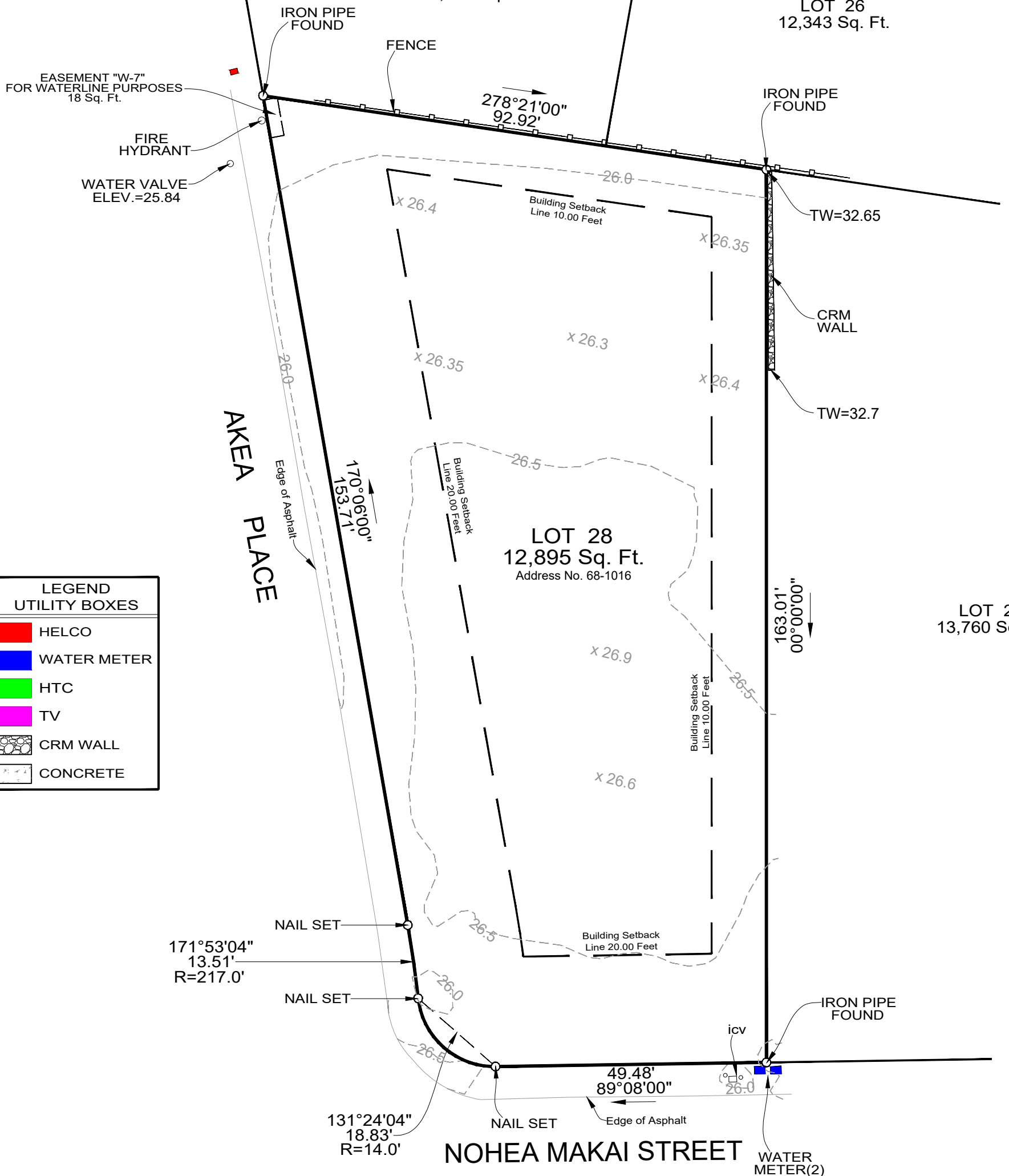
LOT 28
of "MAUNA LANI RESORT SITE B SUBDIVISION NO. 3"
Being a Portion of Subdivision Map 09-000960
at Kalahuipuaa & Waikoloa,
South Kohala, County of Hawaii, State of Hawaii
TMK: (3) 6-8-043:028

TRUE NORTH



LOT 27
13,528 Sq. Ft.

LOT 26
12,343 Sq. Ft.



LEGEND UTILITY BOXES	
■	HELCO
■	WATER METER
■	HTC
■	TV
	CRM WALL
	CONCRETE

NOTES:

- 1) The distances shown between the property lines & the features, shown hereon, are based on selected found boundary monuments & acceptable tolerances for properties of this type.
- 2) The features shown and mapped hereon were located by an actual survey performed on the ground on October 26th, 2020.
- 3) Elevations shown and mapped hereon are based on a published benchmark (highway monument).
- 4) SCALE: One inch equals feet 1"= 20'

FLOOD NOTE

According to the F.I.R.M. # 155166 0303 F, dated 09-29-2017 this property does lie in "Zone X" and does not lie within the 100-year flood zone.

I, Thomas G. Pattison, do hereby certify to the best of my professional knowledge, information, and belief that this map and the survey upon which it is based correctly shows the boundary lines and topographic features as shown on the ground.

NOTE: BASIS OF AZIMUTH
DERIVED USING HEMISPHERE
GPS RTK SYSTEM

NOTE: ALL AZIMUTHS &
DISTANCES ARE SHOWN
& MAPPED HEREON IN A
CLOCKWISE DIRECTION

-COPY-

THOMAS G. PATTISON
November 12th, 2021
Hawaii License No. 10743

Setback Lines are shown from current data, but should be verified by builder. The description on this plat was provided to us by the client, and does not guarantee ownership, and should be compared to your Deed, Abstract or Certificate of Title. All building restrictions, building lines and easements may or may not be shown, check your Deed, Abstract, Title Report, and local ordinances, no responsibility is assumed by Surveyor. Compare all points before building by same and report any discrepancy at once. Dimensions are shown in feet and decimal parts thereof, no dimension is to be assumed by scaling.