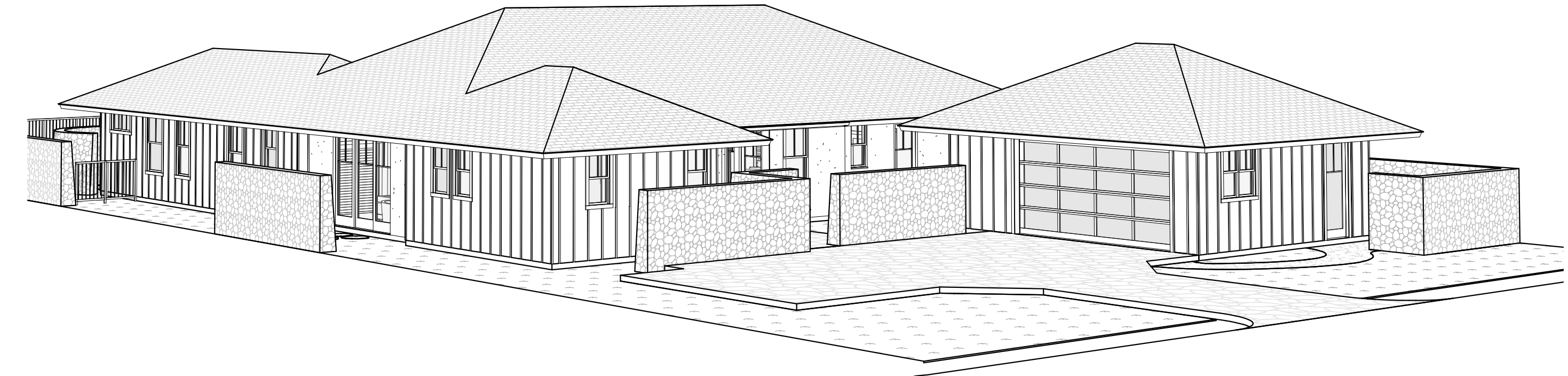
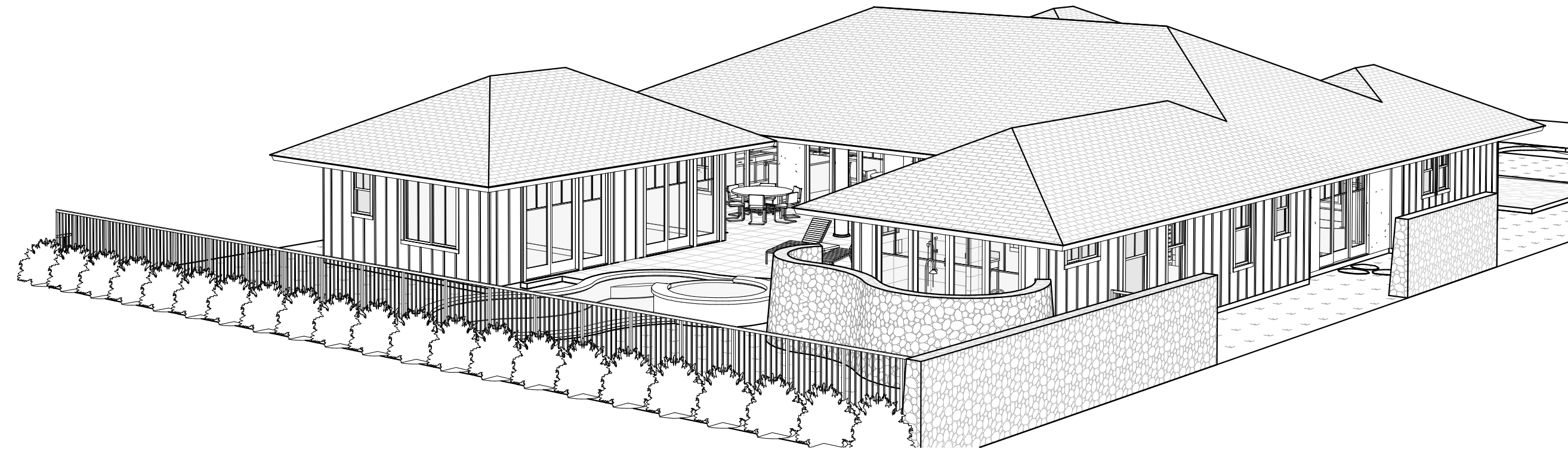


Single Family Residence - Lot 24 Nohea - Phase 1



Design & Construction Team

Owner

Nohea at Mauna Lani, LLC
101 Hodencamp Rd. Suite 200
Thousand Oaks, CA 91360
Ph: (805) 494-7704
Fax: (805) 494-1226

Architect

Craig Monaghan
4522 Lower Drive
Lake Oswego, OR 97035
Ph: (503) 522-9000
E-mail: monaghan.craig@gmail.com

Mechanical & Plumbing Engineer

Eli Waltz
Engineering Partners
455 E. Lanikaula St.
Hilo, HI 96720

Ph: (808) 933-7900
Fax: (808) 933-3533

E-mail: eli.waltz@epinc.pro

Landscaping

Mark Mahaney
Mahaney Environmental Design
67-1275 Laikealoha St.
Kamuela, HI 96743
Ph: Office - (808) 895-0826
E-mail: mahaney08@yahoo.com

Pool / Spa

KoloheDesign, LLC
Water Feature Design & Consultation
P.O. Box 1174
Rowlett, Texas 75030-1174
Ph: Cell - (808) 620-0806
E-mail: linkolohedesign@yahoo.com

Electrical Engineer

Eli Waltz
Engineering Partners
455 E. Lanikaula St.
Hilo, HI 96720
Ph: (808) 933-7900
Fax: (808) 933-3533
E-mail: eli.waltz@epinc.pro

Structural Engineer

Chris Wilson
GFDS Engineers
65-1291 Kawaihae Road, Suite 102B
Kamuela, HI 96743
Ph: Office - (808) 887-6250
E-mail: cwilson@gfdseng.com

Civil Engineer

Yen Wen Fang
Engineering Partners
455 E. Lanikaula St.
Hilo, HI 96720
Ph: (808) 933-7900
Fax: (808) 933-3533
E-mail: yenwen.fang@epinc.pro

Surveyor

Tom Pattison
Pattison Land Surveying, Inc.
68-1125 North Kaniku Drive Unit 906
Kamuela, HI 96743
Ph: (808) 327-9439

Drawing Index

ARCHITECTURAL

A1.0 COVER SHEET
A1.01 SPECIFICATIONS
A1.1 SURVEY
A1.3 SITE PLAN
A2.0 SLAB LOCATION PLAN
A2.1 FLOOR PLAN
A2.2 ENLARGED PLANS
A2.3 ENLARGED PLANS
A2.4 REFLECTED CEILING PLAN
A2.5 ROOF PLAN
A2.6 CLERESTORY PLAN, ROOM FINISH SCHEDULE
A3.0 EXTERIOR ELEVATIONS
A3.1 EXTERIOR ELEVATIONS
A4.1 BUILDING SECTIONS
A4.2 BUILDING SECTIONS
A5.0 WALL SECTIONS
A5.1 WALL SECTIONS
A6.0 DETAILS
A6.1 DOOR SCHEDULE, DOOR TYPES, DOOR DETAILS
A6.2 WINDOW SCHEDULE, WINDOW TYPES, WINDOW DETAILS
A7.0 INTERIOR ELEVATIONS
A7.1 INTERIOR ELEVATIONS
A8.0 EXTERIOR 3D VIEWS
A8.1 PERSPECTIVE VIEWS

STRUCTURAL

S0.0 TITLE SHEET
S0.1 GENERAL NOTES
S1.1 FOUNDATION PLAN - OVERALL SITE PLAN
S2.11 MAIN HOUSE FOUNDATION PLAN
S2.12 GUEST HOUSE AND GARAGE FOUNDATION PLAN
S1.2 SITE ROOF PLAN
S2.21 MAIN HOUSE ROOF FRAMING PLAN
S2.22 GUEST HOUSE AND GARAGE ROOF FRAMING PLAN
S5.1 CONCRETE DETAILS
S5.2 CONCRETE DETAILS
S8.1 WOOD DETAILS
S8.2 WOOD DETAILS
S8.3 WOOD DETAILS

CIVIL

C0.1 CIVIL NOTES
C1.1 SITE PLAN
C2.1 GRADING PLAN
C2.2 CROSS SECTIONS
C3.1 DETAILS
C3.2 DETAILS

POOL / SPA

T-1.0 TITLE SHEET AND GENERAL NOTES
WF-1.0 SPECIFICATIONS
WF-1.1 SWIMMING POOL BARRIER PLAN
WF-2.0 SWIMMING POOL AND SPA STRUCTURAL SHELL PLAN & DETAILS
WF-3.0 SWIMMING POOL AND SPA FINISH PLAN & DETAILS
WF-4.0 SWIMMING POOL AND SPA SECTIONS
WF-4.1 SWIMMING POOL SECTION AND FITTING DETAILS
WF-4.2 SWIMMING POOL AND SPA PRE-FABRICATED EQUIPMENT VAULT
WF-4.3 SWIMMING POOL AND SPA PRE-FABRICATED EQUIPMENT VAULT PIPE PENETRATIONS
WF-5.0 SWIMMING POOL AND SPA EQUIPMENT LAYOUT/LIST AND SYSTEM ANALYSIS
WF-5.1 SWIMMING POOL AND SPA SYSTEM SCHEMATIC DIAGRAMS
WF-5.2 SWIMMING POOL AND SPA PIPING/FITTING PLAN
WF-6.0 SWIMMING POOL AND SPA ELECTRICAL LIGHTING PLAN, NOTES AND DETAILS.

ELECTRICAL

E1.0 BUILDING 6 ELECTRICAL SYMBOLS & ABBREVIATION
E1.1 BUILDING 6 ELECTRICAL SPECIFICATIONS
E2.0 BUILDING 6 ELECTRICAL SITE PLAN
E2.1 BUILDING 6 POWER PLAN MAIN HALE
E2.2 BUILDING 6 LIGHTING PLAN MAIN & GUEST HALE
E2.3 BUILDING 6 POWER/LIGHTING PLAN GARAGE
E2.4 BUILDING 6 ELECTRICAL SCHEDULES
E2.5 BUILDING 6 ELECTRICAL DETAILS
E2.6 BUILDING 6 ELECTRICAL DETAILS

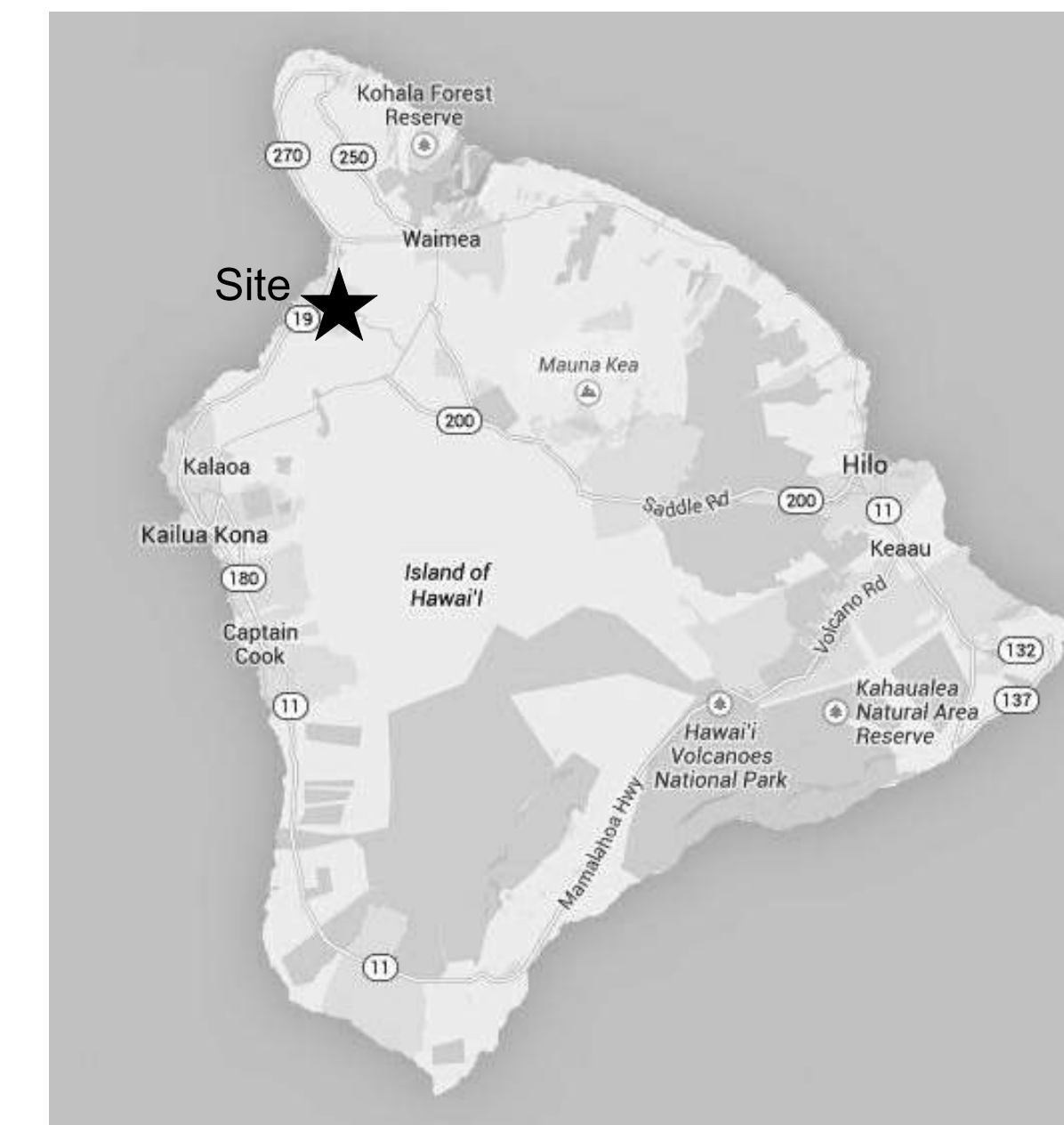
MECHANICAL

M1.0 MECHANICAL SYMBOLS & ABBREVIATIONS
M1.2 MECHANICAL SCHEDULES
M2.0 BUILDING 6 MECHANICAL SITE PLAN
M2.1 BUILDING 6 AIR COND. & VENT. PLAN MAIN HALE
M2.2 BUILDING 6 AIR COND. & VENT. PLAN - GARAGE AND GUEST
M3.1 BUILDING 6 SECTIONS
M4.1 BUILDING 6 MECHANICAL DETAILS

PLUMBING

P1.0 PLUMBING SYMBOLS, ABBREVIATIONS & SPECS.
P2.0 BUILDING 6 PLUMBING SITE PLAN
P2.1 BUILDING 6 PLUMBING PLAN MAIN HALE
P2.2 BUILDING 6 PLUMBING PLAN GARAGE
P2.3 SANITARY PIPING DIAGRAM
P2.4 WATER PIPING DIAGRAM

Area Map



Vicinity Map



JURISDICTION: HAWAII COUNTY, HAWAII
CODE: 2018 IBC WITH AMENDMENTS
OCCUPANCY: R-3
CONSTRUCTION TYPE: V-B
SEISMIC ZONE: CATEGORY 'E'
WIND LOADS: BASIC WIND SPEED 105 MPH
EXPOSURE 'C'
EFFECTIVE WIND SPEED 100 MPH

GROSS AREA TOTALS	
NAME	AREA
CONDITIONED AREA	2,266 SF
CONDITIONED AREA	546 SF
COVERED LANAI	97 SF
GARAGE	572 SF
TOTAL:	3,889 SF

ZONE: 4
FIRE SPRINKLERS: NONE
ENERGY CODE COMPLIANCE FACTORS: WALLS R-19, CEILINGS R-30, FENESTRATION U .4
(SOLAR WATER HEATING UNDER SEPARATE PERMIT)
MECHANICAL, ELECTRICAL AND PLUMBING UNDER SEPARATE PERMIT

Abbreviations

AB: Anchor Bolt	BLKG: Blocking	DIA: Diameter	GL: Glass	JST: Joist	MM: Millimeter	RR: Railroad	PLYWD: Plywood	T&G: Tongue & Groove
ABV: Above	BM: Beam	DN: Down	GND: Ground	JT: Joint	MT: Mount	S: South	PSI: Pounds Per Square Inch	TAN: Tangent
AC: Air Conditioning	BSM: Basement	DTL: Detail	GPM: Gallons Per Minute	KIT: Kitchen	MTD: Mounted	SAN: Sanitary	PVC: Polyvinyl Chloride	TB: Towel Bar
ACC: Access	BW: Both Ways	DWG: Drawing	GYP, BD: Gypsum Board	KW: Kilo-watt	MULL: Mullion	SCH: Schedule	PWR: Power	TD: Trench Drain
ACOUST: Acoustical	CAB: Cabinet	DS: Downspout	HB: Hose Bib	LAT: Lateral	NIC: Not in Contract	SEL: Select	Qual: Quality	TEL: Telephone
ACT: Acoustical Tile	CIP: Cast in Place	EA: Each	HORIZ: Horizontal	LAV: Lavatory	NO: Number	SF: Square Foot	QTY: Quantity	THK: Thick
ADDL: Additional	CL: Control Line	EB: Expansion Bolt	HR: Hour	LB: Pound	NOM: Nominal	SHT: Sheet	RAD: Radius	TV: Television
AFF: Above Finished Floor	CL: Center Line	EJ: Expansion Joint	HWY: Highway	LTG: Lighting	NTS: Not To Scale	SIM: Similar	RD: Roof Drain	UON: Unless Otherwise Noted
ALUM: Aluminum	CLG: Ceiling	ELEC: Electrical	HYD: Hydraulic	MAINT: Maintenance	OC: On Center	SPEC: Specification	REBAR: Reinforcing Bar	UT: Utility
APPROX: Approximate	CLR: Clear	EQ: Equal	ID: Inside Diameter	MAX: Maximum	OD: Outside Diameter	SS: Stainless Steel	REF: Refrigerator	V: Volt
AVG: Average	COL: Column	EQUIP: Equipment	IN: Inch	MET: Metal	OH: Overhead	STD: Standard	REINF: Reinforcement	VT: Vinyl Tile
BDY: Boundary	CMC: Concrete	EW: Each Way	INFO: Information	MEZZ: Mezzanine	OHD: Overhead Door	STL: Steel	REQ: Require	W/O: Without
BDRM: Bedroom	CPT: Carpet	EXIST: Existing	INSUL: Insulation	MFG: Manufacturer	OPNG: Opening	STOR: Storage	RH: Right Hand	WD: Wood
BEL: Below	DBL: Double	FD: Floor Drain	INT: Interior	MH: Manhole	OPP: Opposite	STRUCT: Structural	RM: Room	WDW: Window
BET: Between	DEMO: Demolition	FF: Finished Floor	J-BOX: Junction Box	MIN: Minimum	OR: Outside Radius	SUR: Surface	RO: Rough Opening	WF: Wide Flange
BLK: Block	DIAG: Diagonal	FIN: Finished	JAN: Janitor	MISC: Miscellaneous	P.LAM: Plastic Laminate	SYS: System	ROW: Right of Way	WH: Water Heater
		FIXT: Fixture						



THIS WORK WAS PREPARED BY ME OR UNDER MY SUPERVISION. CONSTRUCTION OF THIS PROJECT WILL BE UNDER MY OBSERVATION.

SIGNATURE

EXPIRATION 4/30/22

GENERAL CONTRACTOR:

REVISIONS NO.	DESCRIPTION	DATE
1	ISSUE FOR PACKAGE	11/01/21
2	ISSUE TO CONSULTANTS	2/28/22
4	FINAL DR SUBMISSION	2/28/22

**SINGLE FAMILY RESIDENCE
LOT 24 NOHEA, PHASE 1**

TMK: 3-6-8-043:024
NOHEA AT MAUNA LANI, LLC
101 HODENCAMP RD. SUITE 200
THOUSAND OAKS, CA 91360
PH: 805-494-7704 FAX: 805-494-1226

CRAIG MONAGHAN, ARCHITECT
4522 LOWER DR. LAKE OSWEGO, OR 97035
PH: 503-522-9000
monaghan.craig@gmail.com

DATE 02/08/22

SCALE

SHEET

COVER SHEET

SHEET

A1.0

Specifications

CABINETS AND INTERIOR FINISH SCHEDULE

INTERIOR WALLS AND CEILINGS: 5/8" GYP BD. LEVEL 4 FINISH, OWNER TO SELECT PAINT.
 FLOORING: SEE SHEET A2.6
 COUNTERTOPS AND BACKSPASHES: 3/4" THICK MS INTERNATIONAL QUARTZITE LAGOS AZUL WITH EASED EDGES. LAMINATE EDGE OF COUNTERTOPS WITH ADDITIONAL LAYER EQUALING 1 1/2" THICK. POLISH ALL SURFACES.
 FLOOR AND WALL TILE: TRAVERTE CHIARO PORCELAIN TILE COLLECTION CHIARO. FLUID APPLIED MEMBRANE AT SHOWERS.
 CABINETS: OWNER TO SELECT CABINET DOOR STYLE AND FINISH.
 CLOSET RODS: OVAL CLOSET RODS - "STEEL" OVAL POLISHED CHROME 15 MM X 30 MM POLISHED CHROME.
 CLOSET SHELVES: MANGONANY PLYWOOD WITH CLEAR FINISH.
 FRETWORK: MATCH LOT 25.
 QUEEN SIZE ZOOM ROOM BED ONLY TO BE INSTALLED IN MEDIA ROOM CABINET.
 SUPPLIER - CONTACT INFO: LUKE PAWLOWSKI (888) 211-1120 TEL: (305) 677-9148
 MAIL TO: LUKE@ZOOM-ROOM.COM
 HTTP://WWW.ZOOM-ROOM.COM WWW.ZOOM-ROOM.COM
 HTTP://WWW.ZOOM-ROOM.COM

LIGHTING SCHEDULE - SEE ALSO ELECTRICAL

INTERIOR FANS: FANIMATION ISLANDER FAN, MODEL # FP320, WITH 22" WIDE OVAL WOVEN BAMBOO BLADES, RUST.
 EXTERIOR FANS: FANIMATION BALLETER FAN, MODEL # FP4320, WITH 22" WIDE OVAL WOVEN BAMBOO BLADES, BLADE MODEL PAD1, FAN FINISH: AGED BRONZE BLADE FINISH: ANTIQUE BAMBOO.
 WALL AND OUTLET PLATES: LUTRON CLARO WALL AND OUTLET PLATE SATIN FINISH MOCHA STONE (MS).
 EXTERIOR LIGHTING: SHIELDED, BRONZE ANODIZED, BRASS, DOWN LIGHTING. BEACHSIDE LIGHTING-L-011-KP.

APPLIANCES SCHEDULE

REFRIGERATOR/FREEZER: SUB ZERO 42" BI-42-S/O SIDE BY SIDE REFRIDGERATOR/FREEZER- PANEL READY42" BI-42-S/O SIDE BY SIDE REFRIDGERATOR/FREEZER- PANEL READY INTEGRATED PANELS TO MATCH CABINETS.
 GAS RANGETOP: WOLF MODEL NO. SRT 366-LP SEALED BURNER 36" GAS RANGETOP WITH 6 BURNERS STAINLESS STEEL WITH BLACK KNOBS.
 HOOD AND BLOWER: WOLF MODEL NO. PWC422418.
 DISHWASHER: ASKO FULLY INTEGRATED TALL TUB MODEL #D5636XXLF1 PANEL READY.
 CONVECTION MICROWAVE OVEN: WOLF MODEL NO. WWC24 WITH 30" TRIM KIT, L SERIES FRAMED CLASSIC STAINLESS STEEL.
 WALL OVEN: WOLF MODEL NO. SO30F/S 30" SINGLE OVEN L SERIES FRAMED CLASSIC STAINLESS STEEL.
 WASHER: WHIRLPOOL WASHER MODEL #WFW92HEFC.
 DRYER: WHIRLPOOL DRYER MODEL #WGD92HEFC.

PLUMBING SCHEDULE

KITCHEN

MAIN SINK: BLANCO PERFORMA DOUBLE BOWL SINK; CAFE BROWN; W: 33 1/8" D: 10" L: 20"; UNDERMOUNT; HEAT/SCRATCH RESISTANT.
 GARBAGE DISPOSAL: IN-SINK-ERATOR PRO 1100XL EVOLUTION FOOD WASTE DISPOSER; 1.1 HP; 1725 RPM.
 MAIN SINK FAUCET: MIRABELLE CCY LF 1.8 KITC FCT PD "CORDEL ORB.

LAUNDRY ROOM

LAUNDRY SINK: KOHLER 25X22X15 CI UC 1B UTIL SINK THGR.
 LAUNDRY SINK FAUCET: MIRABELLE CCY LF 1.8 KITC FCT PD "CORDEL ORB.

MASTER BATH, TUB/SHOWER AND W.C.

SINKS: MIRABELLE UNDERMOUNT BATHROOM SINK; BISCUIT; 15-15/16" X 19-7/8".
 SINK FAUCETS: MIRABELLE VILAMONTE SINGLE HOLE BATHROOM SINK FAUCET; OIL RUBBED BRONZE; 1.2 GPM.
 SOAKING TUB: JACUZZI CELESTE UNIQUE SIZE SOAKING TUB; WHITE/WHITE; 70" X 32", CENTER DRAIN.
 TUB FAUCET: MIRABELLE PENDLETON FLOOR MOUNTED LEG TUB FILLER; OIL RUBBED BRONZE; 37-5/8" SPOUT HEIGHT; 10 GPM.
 MIRABELLE SOPHISTISPA TRANSPONDER 30" SLIDE BAR ; BRUSHED NICKEL.
 MIRABELLE SOPHISTISPA 60" METAL SHOWER HOSE ; BRUSHED NICKEL.
 MIRABELLE CCY 2.0 GPM 3F H/SHWR BN.
 MIRABELLE WALL SPLY ELL SQ BN.
 TRIM: MIRABELLE VILAMONTE SINGLE HANDLE VALVE TRIM; BRUSHED NICKEL.
 DRAIN: MONOGRAMBR TI RD COMPLETE SHWR DRN BN.
 TOILET: TOTO CCY DUFL CLST BOWL UNIV HGT SEBE.
 TOILET SEAT: TOTO TRANSITIONAL SOFTCLOSE ELONGATED TOILET SEAT; SEDONA BEIGE.
 TOILET TANK: TOTO CCY DUFL TOILET TACK "AQUIA SEBE.
 TISSUE HOLDER: MIRABELLE VILAMONTE TOILET TISSUE HOLDER; OIL RUBBED BRONZE.
 TOWEL RINGS: MIRABELLE VILAMONTE TOWEL RING; OIL RUBBED BRONZE.
 TOWEL BARS: MIRABELLE VILAMONTE 24" TOWEL BAR; OIL RUBBED BRONZE.
 ROBE HOOKS: MIRABELLE VILAMONTE ROBE HOOK; OIL RUBBED BRONZE.

BATH 1

SINK: MIRABELLE UNDERMOUNT BATHROOM SINK; BISCUIT; 15-15/16" X 19-7/8".
 SINK FAUCET: MIRABELLE VILAMONTE SINGLE HOLE BATHROOM SINK FAUCET; OIL RUBBED BRONZE; 1.2 GPM.
 MIRABELLE SOPHISTISPA TRANSPONDER 30" SLIDE BAR ; BRUSHED NICKEL.
 MIRABELLE SOPHISTISPA 60" METAL SHOWER HOSE ; BRUSHED NICKEL.
 MIRABELLE CCY 2.0 GPM 3F H/SHWR BN.
 MIRABELLE WALL SPLY ELL SQ BN.
 TRIM: MIRABELLE VILAMONTE SINGLE HANDLE VALVE TRIM; BRUSHED NICKEL.
 DRAIN: MONOGRAMBR TI RD COMPLETE SHWR DRN BN.
 TOILET: TOTO CCY DUFL CLST BOWL UNIV HGT SEBE.
 TOILET SEAT: TOTO TRANSITIONAL SOFTCLOSE ELONGATED TOILET SEAT; SEDONA BEIGE.
 TOILET TANK: TOTO CCY DUFL TOILET TACK "AQUIA SEBE.
 TISSUE HOLDER: MIRABELLE VILAMONTE TOILET TISSUE HOLDER; OIL RUBBED BRONZE.
 TOWEL BAR: MIRABELLE VILAMONTE 24" TOWEL BAR; OIL RUBBED BRONZE.
 ROBE HOOK: MIRABELLE VILAMONTE ROBE HOOK; OIL RUBBED BRONZE.

BATH 2

SINK: MIRABELLE UNDERMOUNT BATHROOM SINK; BISCUIT; 15-15/16" X 19-7/8".
 SINK FAUCET: MIRABELLE VILAMONTE SINGLE HOLE BATHROOM SINK FAUCET; OIL RUBBED BRONZE; 1.2 GPM.
 MIRABELLE SOPHISTISPA TRANSPONDER 30" SLIDE BAR ; BRUSHED NICKEL.
 MIRABELLE SOPHISTISPA 60" METAL SHOWER HOSE ; BRUSHED NICKEL.
 MIRABELLE CCY 2.0 GPM 3F H/SHWR BN.
 MIRABELLE WALL SPLY ELL SQ BN.
 TRIM: MIRABELLE VILAMONTE SINGLE HANDLE VALVE TRIM; BRUSHED NICKEL.
 DRAIN: MONOGRAMBR TI RD COMPLETE SHWR DRN BN.
 TOILET: TOTO CCY DUFL CLST BOWL UNIV HGT SEBE.
 TOILET SEAT: TOTO TRANSITIONAL SOFTCLOSE ELONGATED TOILET SEAT; SEDONA BEIGE.
 TOILET TANK: TOTO CCY DUFL TOILET TACK "AQUIA SEBE.
 TISSUE HOLDER: MIRABELLE VILAMONTE TOILET TISSUE HOLDER; OIL RUBBED BRONZE.
 TOWEL BAR: MIRABELLE VILAMONTE 24" TOWEL BAR; OIL RUBBED BRONZE.
 ROBE HOOK: MIRABELLE VILAMONTE ROBE HOOK; OIL RUBBED BRONZE.

BATH 3

SINK: MIRABELLE UNDERMOUNT BATHROOM SINK; BISCUIT; 15-15/16" X 19-7/8".
 SINK FAUCET: MIRABELLE VILAMONTE SINGLE HOLE BATHROOM SINK FAUCET; OIL RUBBED BRONZE; 1.2 GPM.
 MIRABELLE SOPHISTISPA TRANSPONDER 30" SLIDE BAR ; BRUSHED NICKEL.
 MIRABELLE SOPHISTISPA 60" METAL SHOWER HOSE ; BRUSHED NICKEL.
 MIRABELLE CCY 2.0 GPM 3F H/SHWR BN.
 MIRABELLE WALL SPLY ELL SQ BN.
 TRIM: MIRABELLE VILAMONTE SINGLE HANDLE VALVE TRIM; BRUSHED NICKEL.
 DRAIN: MONOGRAMBR TI RD COMPLETE SHWR DRN BN.
 TOILET: TOTO CCY DUFL CLST BOWL UNIV HGT SEBE.
 TOILET SEAT: TOTO TRANSITIONAL SOFTCLOSE ELONGATED TOILET SEAT; SEDONA BEIGE.
 TOILET TANK: TOTO CCY DUFL TOILET TACK "AQUIA SEBE.
 TISSUE HOLDER: MIRABELLE VILAMONTE TOILET TISSUE HOLDER; OIL RUBBED BRONZE.
 TOWEL RING: MIRABELLE VILAMONTE TOWEL RING; OIL RUBBED BRONZE.
 TOWEL BAR: MIRABELLE VILAMONTE 24" TOWEL BAR; OIL RUBBED BRONZE.
 ROBE HOOK: MIRABELLE VILAMONTE ROBE HOOK; OIL RUBBED BRONZE.

WATER HEATER

SEE MECHANICAL.

EXTERIOR FINISH SCHEDULE

ROOFS: INSPIRE ROOFING PRODUCTS SYNTHETIC SLATE EXPOSURE: 6" COLOR: GREY BLACK BLEND (718) WITH MATCHING HIPS AND RIDGE MATERIAL.
 GUTTER: 6" HALF ROUND ALUMINUM, BAKED ENAMEL, ROYAL BROWN W/ HIDDEN STRAP BRACKET ALUM. HANGER ATTACHMENT: CLEAT AND RIVET. PROVIDE SPLASH GUARDS AT ALL END CAPS. ALL MATERIAL ALUM. W/ MATCHING FINISH TO GUTTER.
 DOWNSPOUT: 100% PURE COPPER TRADITIONAL LINK RAIN CHAIN. EACH LINK IS 1.25" WIDE X 2.25" LONG. COPPER WIRE THICKNESS IS 3 GAUGE.
 FASCIA TRIM: 1" X 1" K. CEDAR WITH SIKKENS-072 BUTTERNUIT. 1 COAT OF CETOL "1" AND 1 COAT OF CETOL 2/3 PLUS.
 EAVE/SOFFIT: 3/8" STUCCO -TEXTSTON ORTEX FINISH VPC-2217H ON 5/8" DENSGLOSS.
 SIDING: 5/8" BRECKINRIDGE WITH SIKKENS-009 DARK OAK, 1 COAT OF CETOL "1" AND 1 COAT OF CETOL 2/3 PLUS.
 BATTS: 1 X 2 CEDAR WITH SIKKENS-009 DARK OAK, 1 COAT OF CETOL "1" AND 1 COAT OF CETOL 2/3 PLUS.
 WALL STUCCO COLOR: TEXTSTON ORTEX FINISH VPC-2217H.
 WALL STUCCO COLOR: TEXTSTON ORTEX FINISH TO MATCH PPG PAINT COLOR PPG 1085-5 SAUTEED MUSHROOM ON PORTAL FRAME AROUND DOOR 1 AND EXTERIOR COLUMNS.
 EXTERIOR BEAM CLADDING: 1" X 1" K. CEDAR WITH STAIN MATCHING PPG PAINT COLOR PPG 1085-5 SAUTEED MUSHROOM.
 WINDOW AND DOOR FRAMES: SEE SHEETS A6.1 AND A6.2.
 GARAGE DOOR: SEE SHEET A6.1.
 EXTERIOR SECONDARY DOORS: SEE SHEET A6.1.
 ROCK WALLS: A/LAVA WITH WALNUT LITHOCHROME CHEMSTAIN.
 DRIVEWAY: SAWN BASALT WITH GRASS INFILL. GARAGE DOOR AND STREET APRON TO BE LAVA STONE WITH GREY CHARCOAL CONCRETE, GROUT.
 LANAIS, WALKWAYS AND EXTERIOR SLABS: GREY CONCRETE WITH HEAVY SALT FINISH AND DARK GREY LITHOCHROME CHEMSTAIN.

HARDWARE SCHEDULE

GROUP 1: EXTERIOR SWING ENTRY FUNCTION

(1) EMTEK 8114-TRT - MODERN 9" WITH SINGLE KEVED TUBULAR LATCH WITH TRITON LEVER - OIL RUBBED BRONZE.
 (4) STANLEY FBB191 - 4 1/2" X 4 1/2" BALL BEARING HINGE (BRASS) - US10B FINISH - OIL RUBBED BRONZE.
 (1) PEMKO 170 -THRESHOLD 4" - ANODIZED DARK BRONZE.
 (3) PEMKO Q103 WEATHER STRIP 2@ 8", 1@ 3".
 (1) PEMKO S041ANB - MORTISE IN 13/32" BRUSH SWEEP 3" - BOTTOM.
 (1) PEMKO 345 - DRIP EDGE - ANODIZED DARK BRONZE.
 (1) EMTEK 2231 - 4" BASE STOP - ANODIZED DARK BRONZE.
 (1) DELTANA FDB218 - 2 1/8" FLOOR STOP (DOORS 8, 10, 27).

GROUP 2: INTERIOR SWING PRIVACY FUNCTION

(1) EMTEK 5212 - TRT - MODERN RECTANGULAR PRIVACY BUTTON TUBULAR LATCH WITH TRITON LEVER - OIL RUBBED BRONZE.
 (3) STANLEY FBB191 - 4 1/2" X 4 1/2" BALL BEARING HINGE - US10B FINISH - OIL RUBBED BRONZE.
 (1) EMTEK 2231 - 4" BASE STOP - OIL RUBBED BRONZE.

GROUP 3: INTERIOR SWING PASSAGE FUNCTION

(1) EMTEK 5212 - TRT - MODERN RECTANGULAR PASSAGE TUBULAR LATCH WITH TRITON LEVER - OIL RUBBED BRONZE.
 (3) STANLEY FBB191 - 4 1/2" X 4 1/2" BALL BEARING HINGE - US10B FINISH - OIL RUBBED BRONZE.
 (1) EMTEK 2231 - 4" BASE STOP - OIL RUBBED BRONZE.

GROUP 4: INTERIOR POCKET PRIVACY FUNCTION

(1) ACCURATE S20027 - RECTANGULAR FLUSH PULL WITH TURN PIECE - OIL RUBBED BRONZE.
 (1) ACCURATE S2002E - RECTANGULAR FLUSH PULL WITH EMERGENCY ACCESS TURN - OIL RUBBED BRONZE.
 (1) ACCURATE 2002CPDL - POCKET DOOR LOCK WITH EDGE PULL - OIL RUBBED BRONZE.
 (1) JOHNSON 1100 SERIES - 6" U-ALUMINUM TRACK - 200LB.
 (2) JOHNSON 1125 - BALL BEARING 3 WHEEL HANGER/ROLLERS.

GROUP 5: INTERIOR POCKET PASSAGE FUNCTION

(2) ACCURATE S2002B - RECTANGULAR FLUSH PULL - OIL RUBBED BRONZE.
 (1) ACCURATE 2002CPDP - TALL EDGE PULL - OIL RUBBED BRONZE.
 (1) JOHNSON 100 SERIES - 6" U-ALUMINUM TRACK - 200LB.
 (2) JOHNSON 1125 - BALL BEARING 3 WHEEL HANGER/ROLLERS.

GROUP 6: BI-PASS FUNCTION

(2) ACCURATE S2002B - RECTANGULAR FLUSH PULL - OUTSIDE OF CLOSET ONLY - OIL RUBBED BRONZE.
 (2) JOHNSON 100 SERIES - 8" U-ALUMINUM TRACK - 200LB
 (4) JOHNSON 1125 - BALL BEARING 3 WHEEL HANGER/ROLLERS
 (1) SUN VALLEY BRONZE - BPG-134 - BI-PASS GUIDE - 53 OIL RUBBED BRONZE.

GROUP 7: BIFOLD FUNCTION

(1) ACCURATE S2002B - RECTANGULAR FLUSH PULL - OUTSIDE OF CLOSET ONLY - OIL RUBBED BRONZE.
 (1) JOHNSON 100 SERIES - 3" TRACK.
 (1) JOHNSON 1125 PANEL HANGER.
 (1) JOHNSON 1001 TOP PIVOT.
 (1) JOHNSON 1706 BOTTOM PIVOT.
 (1) JOHNSON 1010 TOP PIVOT BRACKET.
 (1) JOHNSON 1011 BOTTOM PIVOT BRACKET.
 (1) JOHNSON 1155 TRACK STOPS.
 (3) JOHNSON 1806 PANEL HINGES.
 (5) JOHNSON 1808 CONVERGING PANEL ALIGNER.
 (1) JOHNSON 1712 ADJUSTMENT WRENCH.

CABINET HARDWARE SCHEDULE

KITCHEN

CABINET DOORS: 33) EMTEK 86272 - 5" TRAIL PULL - OIL RUBBED BRONZE.
 CABINET DRAWERS: 23) EMTEK 86272 - 5" TRAIL PULL - OIL RUBBED BRONZE.
 APPLIANCE PULLS: N/A

LAUNDRY

CABINET DOORS: 28) EMTEK 86272 - 4" TRAIL PULL - OIL RUBBED BRONZE.
 CABINET DRAWERS: 2) EMTEK 86272 - 4" TRAIL PULL - OIL RUBBED BRONZE.

BATH 1 AND 2

CABINET DOORS: 3) EMTEK 86272 - 4" TRAIL PULL - OIL RUBBED BRONZE.
 CABINET DRAWERS: 8) EMTEK 86272 - 4" TRAIL PULL - OIL RUBBED BRONZE.

BATH 3

CABINET DOORS: 8) EMTEK 86272 - 4" TRAIL PULL - OIL RUBBED BRONZE.
 CABINET DRAWERS: 3) EMTEK 86272 - 4" TRAIL PULL - OIL RUBBED BRONZE.

MASTER BATH

CABINET DOORS: 13) EMTEK 86272 - 4" TRAIL PULL - OIL RUBBED BRONZE.
 CABINET DRAWERS: 4) EMTEK 86272 - 4" TRAIL PULL - OIL RUBBED BRONZE.

FLEX/MEDIA

CABINET DOORS: 8) EMTEK 86163 - 4" TRAIL PULL - SATIN NICKEL FINISH.
 RETRACTABLE DOOR HARDWARE.

ALL DRAWERS TO BE "SOFT CLOSE" WITH FULL EXTENSION GLIDES.
 ALL DOORS TO HAVE CONCEALED "EUORPEAN" HINGES UNLESS OTHERWISE NOTED.



THIS WORK WAS PREPARED BY ME OR UNDER MY SUPERVISION. CONSTRUCTION OF THIS PROJECT WILL BE UNDER MY OBSERVATION.

SIGNATURE
 EXPIRATION 4/30/22

GENERAL CONTRACTOR:

REVISIONS NO.	DESCRIPTION	DATE
1	CONSULTANTS	2/2/22
2	FINAL DR SUBMISSION	2/8/22

SINGLE FAMILY RESIDENCE
LOT 24 NOHEA, PHASE 1
TMK: 3-6-8-043:024
 NOHEA AT MAUNA LANI, LLC
 101 HODENCAMP RD, SUITE 200
 THOUSAND OAKS, CA 91360
 PH: 805-494-7704 FAX: 805-494-1226

CRAIG MONAGHAN, ARCHITECT
 4522 LOWER DR. LAKE OSWEGO, OR 97035
 PH: 503-522-9000
 monaghan.craig@gmail.com

DATE 02/08/22

SCALE

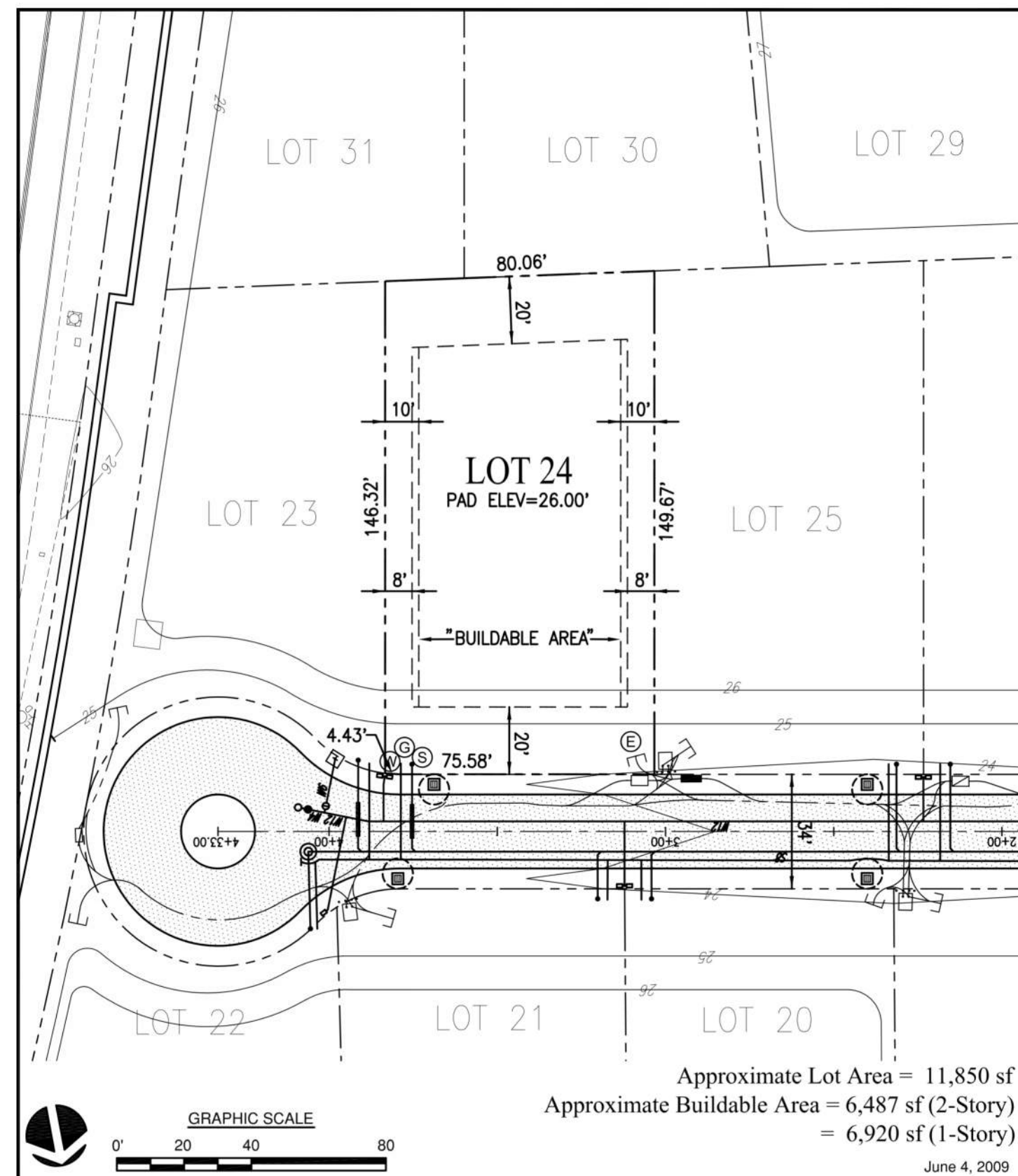
SHEET

SPECS

SHEET

A1.01

NOTE:
 PART NUMBERS ARE FROM
 FERGUSON PLUMBING



**PHASE I
LOT 24
PLOT PLAN**

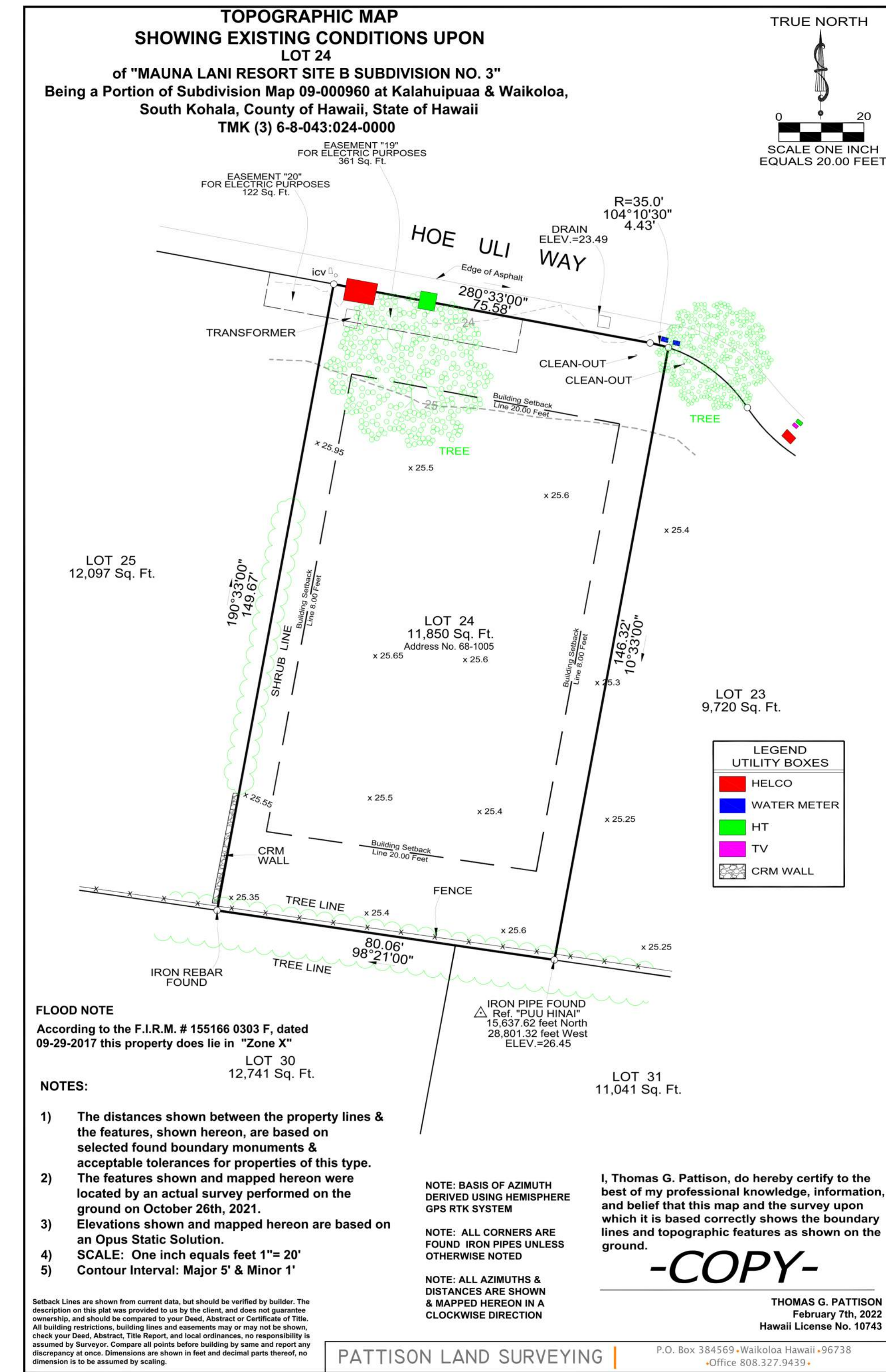
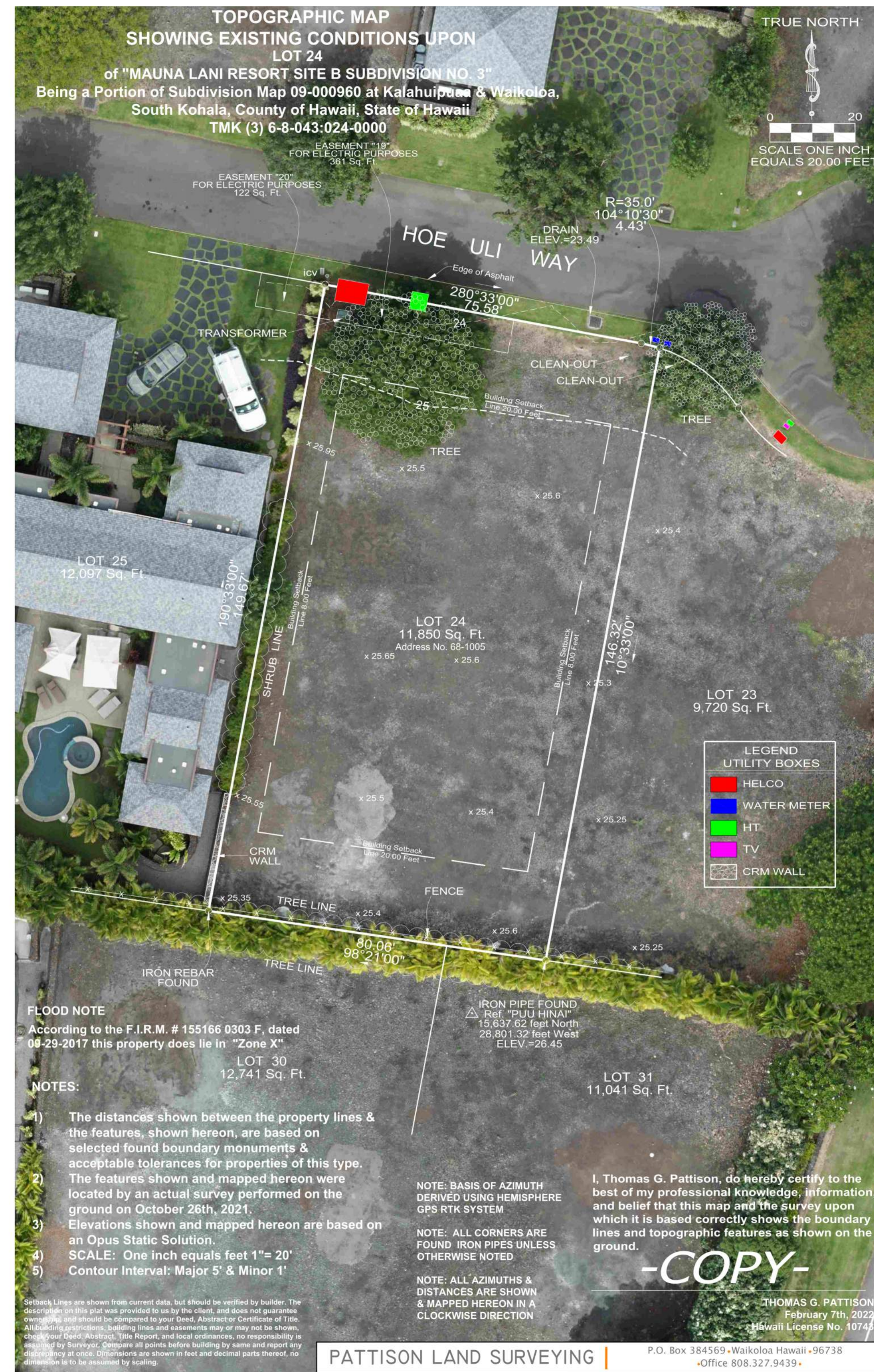
**NOHEA at
Mauna Lani**

Approximate Lot Area = 11,850 sf
Approximate Buildable Area = 6,487 sf (2-Story)
= 6,920 sf (1-Story)
June 4, 2009

Legend	
--- Property Line	⊠ Easement (Approx. Location)
- - - Building Setback Line	⊠ Fire Hydrant
Typical Setbacks: 20' Front Yard 20' Rear Yard 10' First Floor Side Yard (2-Story) 8' Side Yard (1-Story)	⊠ Water Connection
--- Existing Contours	⊠ Sewer Connection
--- Finish Contours	⊠ Electrical, Telephone, and CATV Connections
⊠ Transformer, Utility Box	⊠ Gas Connection
⊠ Drain Inlet	⊠ Street Light
	⊠ Street Sign

Notes:

- This plot plan is for informational purposes only and does not constitute any commitment, representation, or warranty with respect to the foregoing items, and is not intended to represent the as-built conditions.
- The lot buyer shall be responsible for verifying all topography, soil conditions, drainage, fill conditions, street furniture, and utilities, including sewer and water locations, in the field.
- The developer does hereby disclaim, and lot buyer hereby acknowledges, that no representation, expressed or implied, has been made with respect to existing or future view planes.



PAD ELEVATIONS

LOT 28	27.0'
LOT 23	26.0'
LOT 31	26.0'
LOT 24	26.0'
LOT 26	26.0'
LOT 30	26.0'
LOT 27	26.0'

GENERAL CONTRACTOR:

REVISIONS	NO.	DESCRIPTION	DATE
	1	ISSUE FOR PACKAGE	1/21/21
	2	ISSUE TO CONSULTANTS	2/2/22
	4	FINAL DR SUBMISSION	2/8/22

**SINGLE FAMILY RESIDENCE
LOT 24 NOHEA, PHASE 1**
TMK: 3-6-8-043:024
NOHEA AT MAUNA LANI, LLC
101 HODENCAMP RD, SUITE 200
THOUSAND OAKS, CA 91360
PH: 805-494-7704 FAX: 805-494-1226

CRAIG MONAGHAN, ARCHITECT
4522 LOWER DR. LAKE OSWEGO, OR 97035
PH: 503-522-9000
monaghan.craig@gmail.com

DATE 02/08/22

SCALE

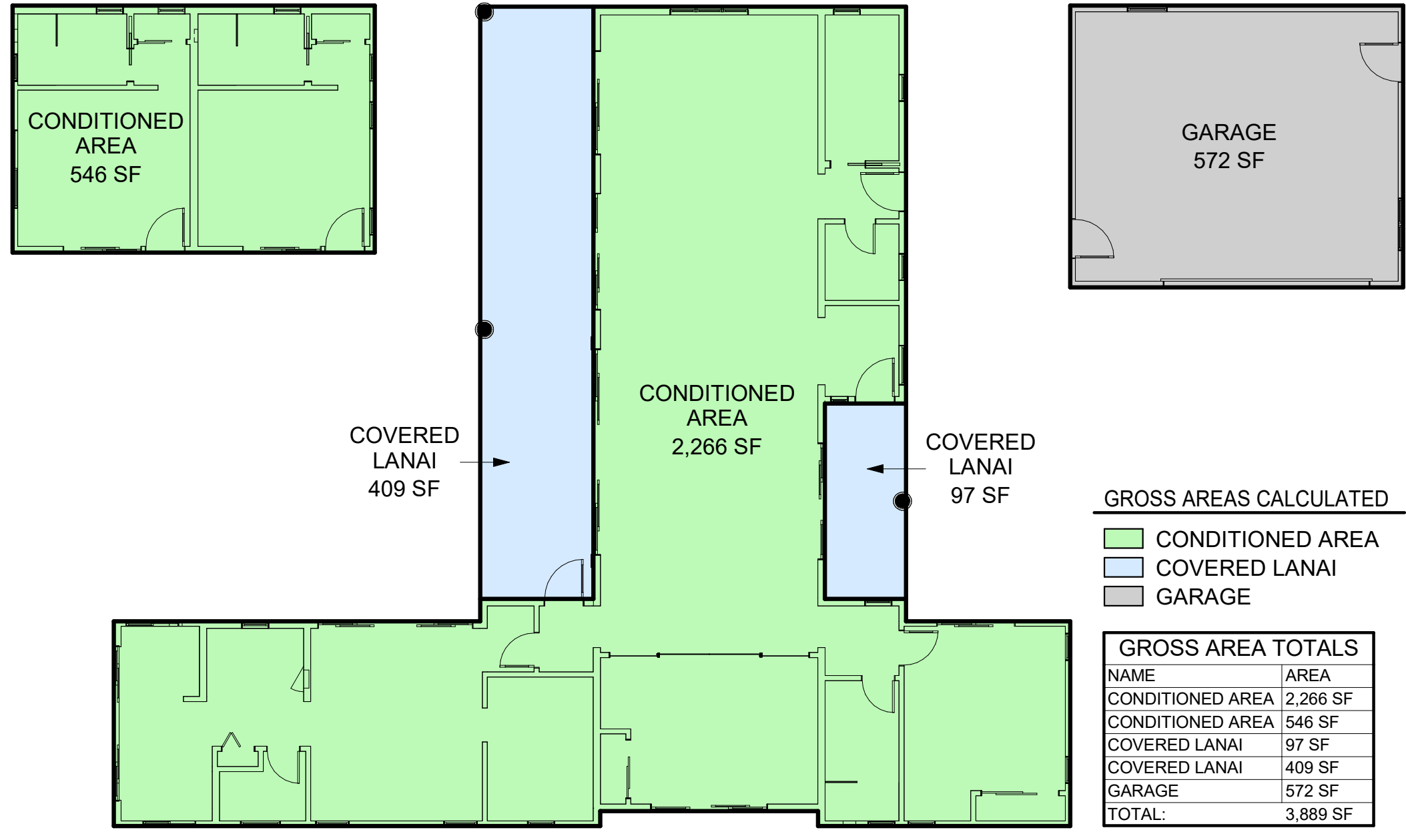
SHEET

SURVEY

SHEET

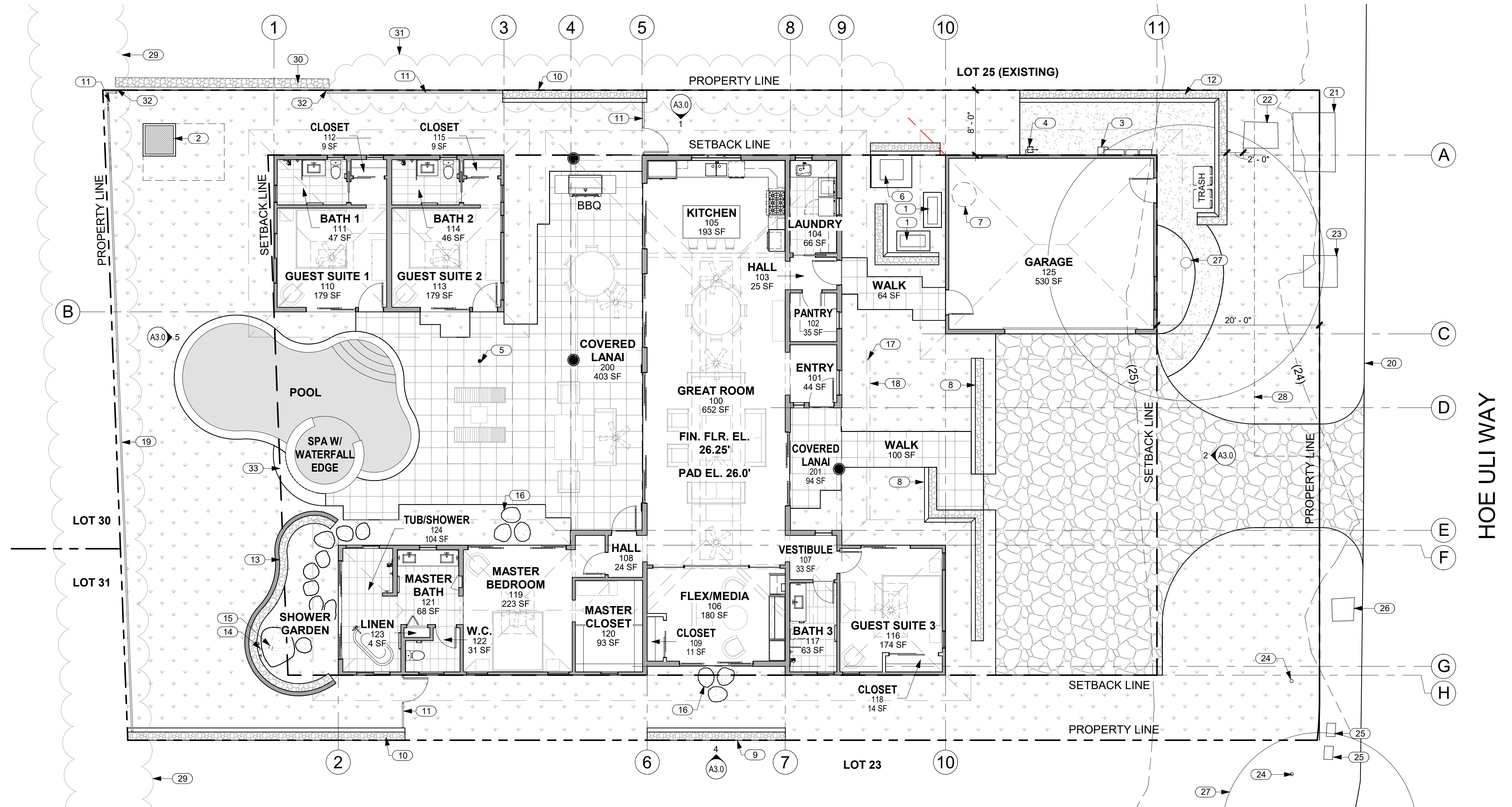
A1.1

KEYNOTES	
NO.	NOTE
1	CONDENSER.
2	POOL EQUIPMENT VAULT ACCESS HATCH.
3	ELECTRICAL GEAR.
4	GAS METER.
5	8' X 12' SHADE STRUCTURE.
6	POOL HEATER.
7	SOLAR WATER HEATER UNDER SEPARATE PERMIT.
8	6'-0" HIGH FROM FINISH GRADE A/A' LAVA ROCK WALL SCREENS FRONT OF RESIDENCE.
9	6'-0" HIGH FROM FINISH GRADE A/A' LAVA ROCK WALL SCREENS FLEX/MEDIA 106.
10	6'-0" HIGH FROM FINISH GRADE A/A' LAVA ROCK WALL SCREENS POOL AREA.
11	4' HIGH SQUARE TUBE W/ SQUARE PICKETS @ 4" O.C. BAKED ENAMEL FENCE AND SELF CLOSING, SELF LATCHING GATE BY MAJESTIC FENCE COMPANY SCREENS POOL AREA.
12	6'-0" HIGH FROM FINISH GRADE A/A' LAVA ROCK WALL SCREENS TRASH AND RECYCLE AREA.
13	6'-0" HIGH FROM FINISH GRADE A/A' LAVA ROCK WALL SCREENS SHOWER GARDEN.
14	3" BRONZE DRAIN BODY, TIE TO STORM.
15	8" DIAMETER RAIN HEAD W/ COPPER PIPE.
16	STEPPING STONES.
17	CHAIN DRAIN.
18	BAKED ENAMEL ALUMINUM 6" HALF ROUND GUTTER WITH CHAIN DRAIN.
19	EXISTING 6' HIGH FENCE.
20	EDGE OF ASPHALT.
21	HELCO.
22	TRANSFORMER.
23	HT HAWAII TELECOM
24	CLEAN OUT.
25	WATER METER.
26	DRAIN SEE SURVEY.
27	EXISTING TREE - SEE SURVEY.
28	EASEMENT "19" FOR ELECTRICAL PURPOSES.
29	EXISTING ARECA HEDGE.
30	EXISTING CRM WALL ON NEIGHBOR LOT.
31	EXISTING SHRUB LINE.
32	4" MAX GAP.
33	18" WIDE CONC. APRON.



ROOM AREAS CALCULATED TO INTERIOR F.O. FINISH		
NO.	NAME	AREA
100	GREAT ROOM	652 SF
101	ENTRY	44 SF
102	PANTRY	35 SF
103	HALL	25 SF
104	LAUNDRY	66 SF
105	KITCHEN	193 SF
106	FLEX/MEDIA	180 SF
107	VESTIBULE	33 SF
108	HALL	24 SF
109	CLOSET	11 SF
110	GUEST SUITE 1	179 SF
111	BATH 1	47 SF
112	CLOSET	9 SF
113	GUEST SUITE 2	179 SF
114	BATH 2	46 SF
115	CLOSET	9 SF
116	GUEST SUITE 3	174 SF
117	BATH 3	63 SF
118	CLOSET	14 SF
119	MASTER BEDROOM	223 SF
120	MASTER CLOSET	93 SF
121	MASTER BATH	68 SF
122	W.C.	31 SF
123	LINEN	4 SF
124	TUB/SHOWER	104 SF
125	GARAGE	530 SF
TOTAL:		3,037 SF

2 AREA CALCULATIONS
A1.3 SCALE: 1" = 10'-0"



COVERAGE CALCULATION
2,812 S.F. ENCLOSED LIVING AREA, 506 S.F. COVERED LANAIS, 572 S.F. GARAGE
SITE AREA: 11,850 S.F.
COVERAGE: (2,812+506+572)/11,850 = 32.83%

1 SITE PLAN 68-1005 HOE ULI WAY, KAMUELA, HI 96743
A1.3 SCALE: 1/8" = 1'-0"



THIS WORK WAS PREPARED BY ME OR UNDER MY SUPERVISION. CONSTRUCTION OF THIS PROJECT WILL BE UNDER MY OBSERVATION.

SIGNATURE

EXPIRATION 4/30/22

GENERAL CONTRACTOR:

REVISIONS	DATE
1	12/28/21
2	12/31/21
3	2/28/22
4	2/28/22

DESCRIPTION

- 1 SITE PLAN
- 2 PRELIM DR PACKAGE
- 3 ISSUE TO CONSULTANTS
- 4 FINAL DR SUBMISSION

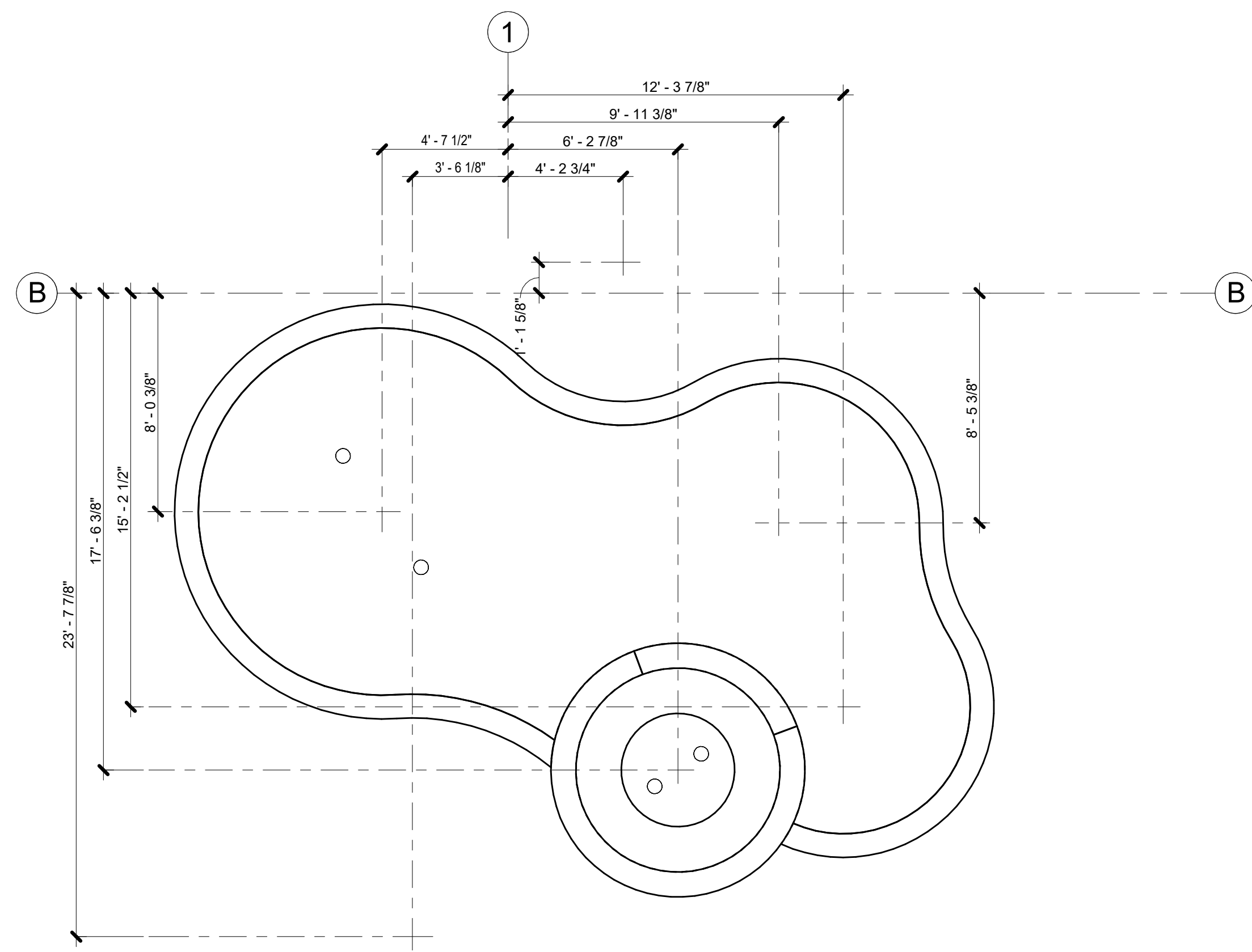
SINGLE FAMILY RESIDENCE
LOT 24 NOHEA, PHASE 1
TMK: 3-6-8-043:024
NOHEA AT MAUNA LANI, LLC
101 HODENCAMP RD, SUITE 200
THOUSAND OAKS, CA 91360
PH: 805-494-7704 FAX: 805-494-1226

CRAIG MONAGHAN, ARCHITECT
4522 LOWER DR. LAKE OSWEGO, OR 97035
PH: 503-522-9000
monaghan.craig@gmail.com

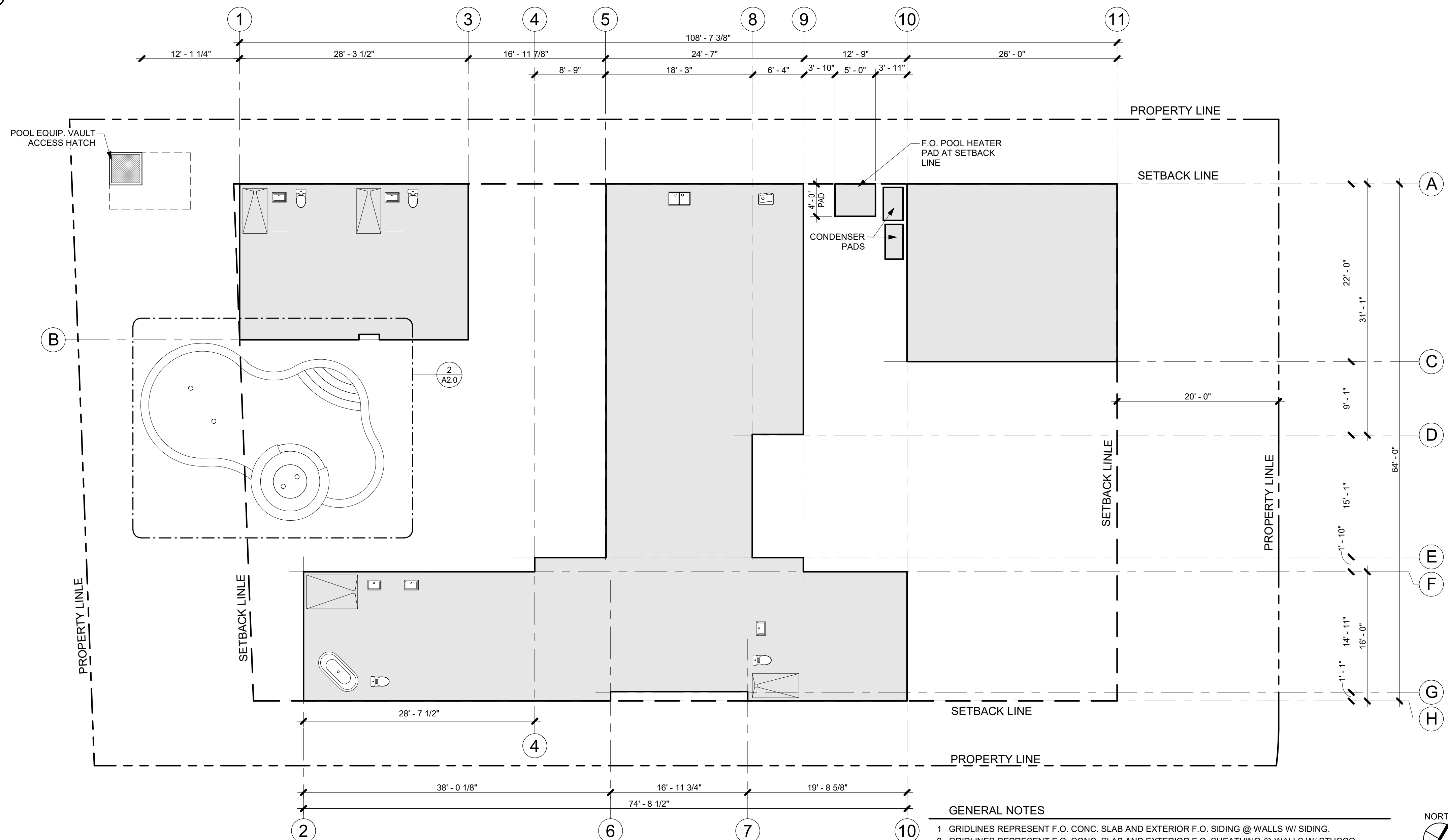
DATE 02/08/22
SCALE As indicated
SHEET

SITE PLAN

SHEET
A1.3



2 POOL LAYOUT
A2.0 SCALE: 1/4" = 1'-0"



1 SLAB LOCATION PLAN
A2.0 SCALE: 1/8" = 1'-0"

GENERAL NOTES

1. GRIDLINES REPRESENT F.O. CONC. SLAB AND EXTERIOR F.O. SIDING @ WALLS W/ SIDING.
2. GRIDLINES REPRESENT F.O. CONC. SLAB AND EXTERIOR F.O. SHEATHING @ WALLS W/ STUCCO.



THIS WORK WAS PREPARED BY ME OR UNDER MY SUPERVISION. CONSTRUCTION OF THIS PROJECT WILL BE UNDER MY OBSERVATION.

SIGNATURE
EXPIRATION 4/30/22

GENERAL CONTRACTOR:

REVISIONS	NO.	DESCRIPTION	DATE
	1	INITIAL CONSULTANTS	2/2/22
	2	FINAL DR SUBMISSION	2/2/22

SINGLE FAMILY RESIDENCE
LOT 24 NOHEA, PHASE 1
TMK: 3-6-8-043:024
NOHEA AT MAUNA LANI, LLC
101 HODENCAMP RD. SUITE 200
THOUSAND OAKS, CA 91360
PH: 805-494-7704 FAX: 805-494-1226

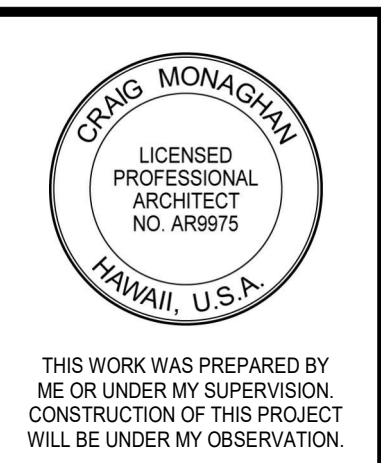
CRAIG MONAGHAN, ARCHITECT
4522 LOWER DR. LAKE OSWEGO, OR 97035
PH: 503-522-9000
monaghan.craig@gmail.com

DATE 02/08/22

SCALE As indicated

SHEET
SLAB LOCATION PLAN

SHEET
A2.0



THIS WORK WAS PREPARED BY ME OR UNDER MY SUPERVISION. CONSTRUCTION OF THIS PROJECT WILL BE UNDER MY OBSERVATION.

SIGNATURE _____
EXPIRATION 4/30/22

GENERAL CONTRACTOR:

REVISIONS NO.	DESCRIPTION	DATE
1	ISSUE FOR PERMITS	12/31/21
2	ISSUE TO CONSULTANTS	2/28/22
3	ISSUE TO CONSULTANTS	2/28/22
4	FINAL DR SUBMISSION	2/28/22

SINGLE FAMILY RESIDENCE
LOT 24 NOHEA, PHASE 1
TMK: 3-6-8-043:024
NOHEA AT MAUNA LANI, LLC
101 HODCAMP RD, SUITE 200
THOUSAND OAKS, CA 91360
PH: 805-494-7704 FAX: 805-494-1226

CRAIG MONAGHAN, ARCHITECT
4522 LOWER DR. LAKE OSWEGO, OR 97035
PH: 503-522-9000
monaghan.craig@gmail.com

DATE 02/08/22

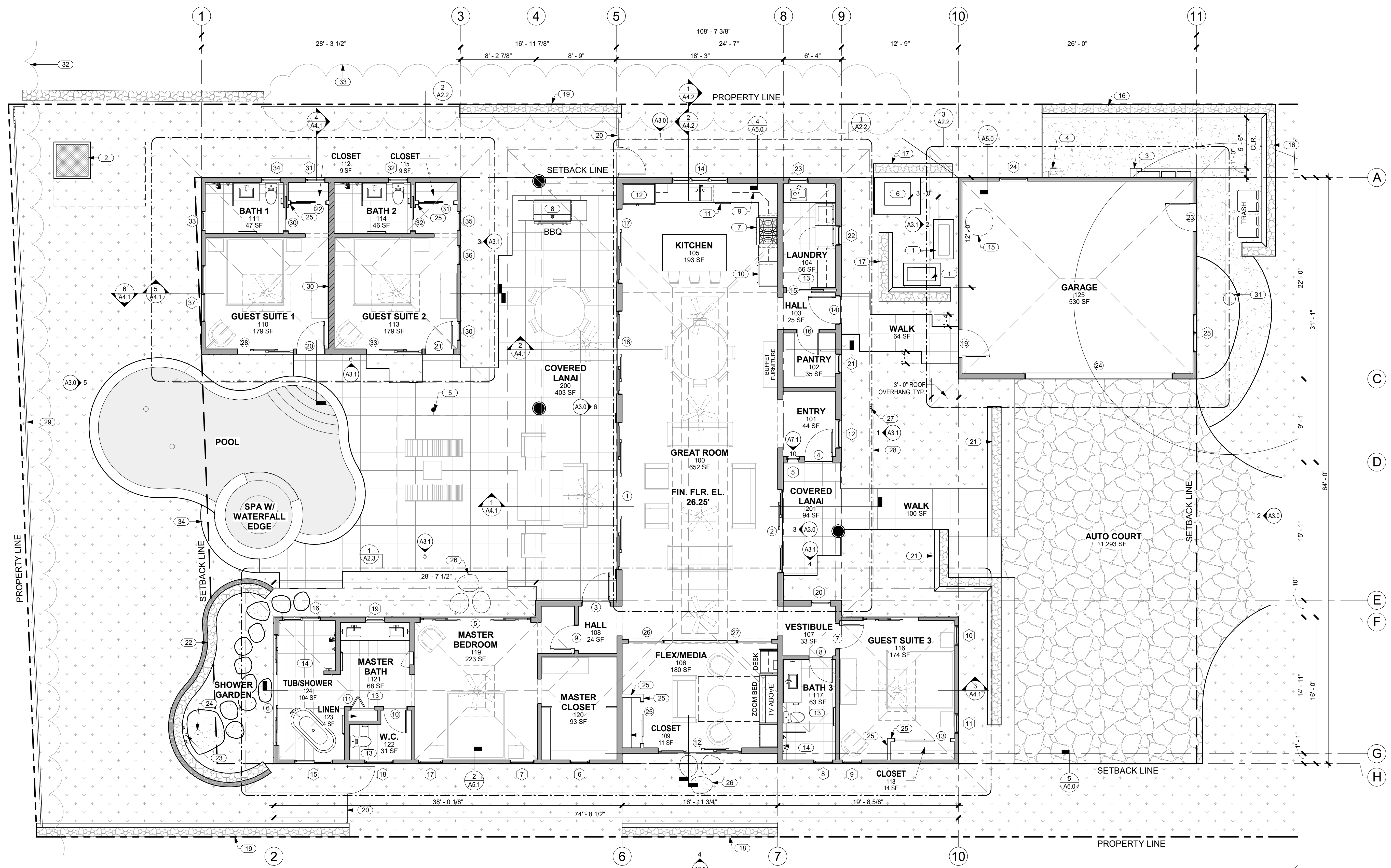
SCALE 3/16" = 1'-0"

SHEET

FLOOR PLAN

SHEET

A2.1



1 FLOOR PLAN
A2.1 SCALE: 3/16" = 1'-0"

NO.	NOTE
1	CONDENSER.
2	POOL EQUIPMENT VAULT ACCESS HATCH.
3	ELECTRICAL GEAR.
4	GAS METER.
5	8' X 12' SHADE STRUCTURE.
6	POOL HEATER.
7	GAS RANGETOP.
8	GAS BBQ.
9	UPPER CABINETS ABOVE.
10	OVEN AND MICROWAVE.
11	DISHWASHER.
12	REFRIGERATOR.
13	TILE FLOOR AND BASE.
14	TILE FLOOR AND WALLS.
15	SOLAR WATER HEATER UNDER SEPARATE PERMIT.
16	6'-0" HIGH FROM FINISH GRADE A'A LAVA ROCK WALL SCREENS TRASH AND RECYCLE AREA.
17	6'-0" HIGH FROM FINISH GRADE A'A LAVA ROCK WALL SCREENS POOL HEATER AND CONDENSER AREA.

NO.	NOTE
18	6'-0" HIGH FROM FINISH GRADE A'A LAVA ROCK WALL SCREENS FLEX/MEDIA 106.
19	6'-0" HIGH FROM FINISH GRADE A'A LAVA ROCK WALL SCREENS POOL AREA.
20	4" HIGH SQUARE TUBE W/ SQUARE PICKETS @ 4" O.C. BAKED ENAMEL FENCE AND SELF CLOSING, SELF LATCHING GATE BY MAJESTIC FENCE COMPANY SCREENS POOL AREA.
21	6'-0" HIGH FROM FINISH GRADE A'A LAVA ROCK WALL SCREENS FRONT OF RESIDENCE.
22	6'-0" HIGH FROM FINISH GRADE A'A LAVA ROCK WALL SCREENS SHOWER GARDEN.
23	3" BRONZE DRAIN BODY. TIE TO STORM.
24	6" DIAMETER RAIN HEAD W/ COPPER PIPE.
25	TOP OF CLOSET WALL @ +7'-8" A.F.F.
26	STEPPING STONES.
27	CHAIN DRAIN.
28	BAKED ENAMEL ALUMINUM 6" HALF ROUND GUTTER WITH CHAIN DRAIN.
29	EXISTING 6' HIGH FENCE.
30	2 X 6 WALL WITH R.C. CHANNELS AND ROCKWOOL S.A.B.
31	EXISTING TREE - SEE SURVEY.
32	EXISTING ARECA HEDGE.
33	EXISTING SHRUB LINE.
34	18" WIDE CONC. APRON.

GENERAL NOTES

- GRIDLINES REPRESENT F.O. CONC. SLAB AND EXTERIOR F.O. SIDING @ WALLS W/ SIDING.
- GRIDLINES REPRESENT F.O. CONC. SLAB AND EXTERIOR F.O. SHEATHING @ WALLS W/ STUCCO.



LICENSED PROFESSIONAL ARCHITECT NO. A58675 HAWAII, U.S.A.

SIGNATURE
EXPIRATION 4/30/22

GENERAL CONTRACTOR:

REVISIONS NO.	DESCRIPTION	DATE
1	ISSUE FOR CONSULTANTS	2/2/22
2	FINAL DR SUBMISSION	2/8/22

SINGLE FAMILY RESIDENCE
LOT 24 NOHEA, PHASE 1
TMK: 3-6-8-043:024
 NOHEA AT MAUNA LANI, LLC
 101 HODENCAMP RD. SUITE 200
 THOUSAND OAKS, CA 91360
 PH: 805-494-7704 FAX: 805-494-1226

CRAIG MONAGHAN, ARCHITECT
 4522 LOWER DR. LAKE OSWEGO, OR 97035
 PH: 503-522-9000
 monaghan.craig@gmail.com

DATE 02/08/22

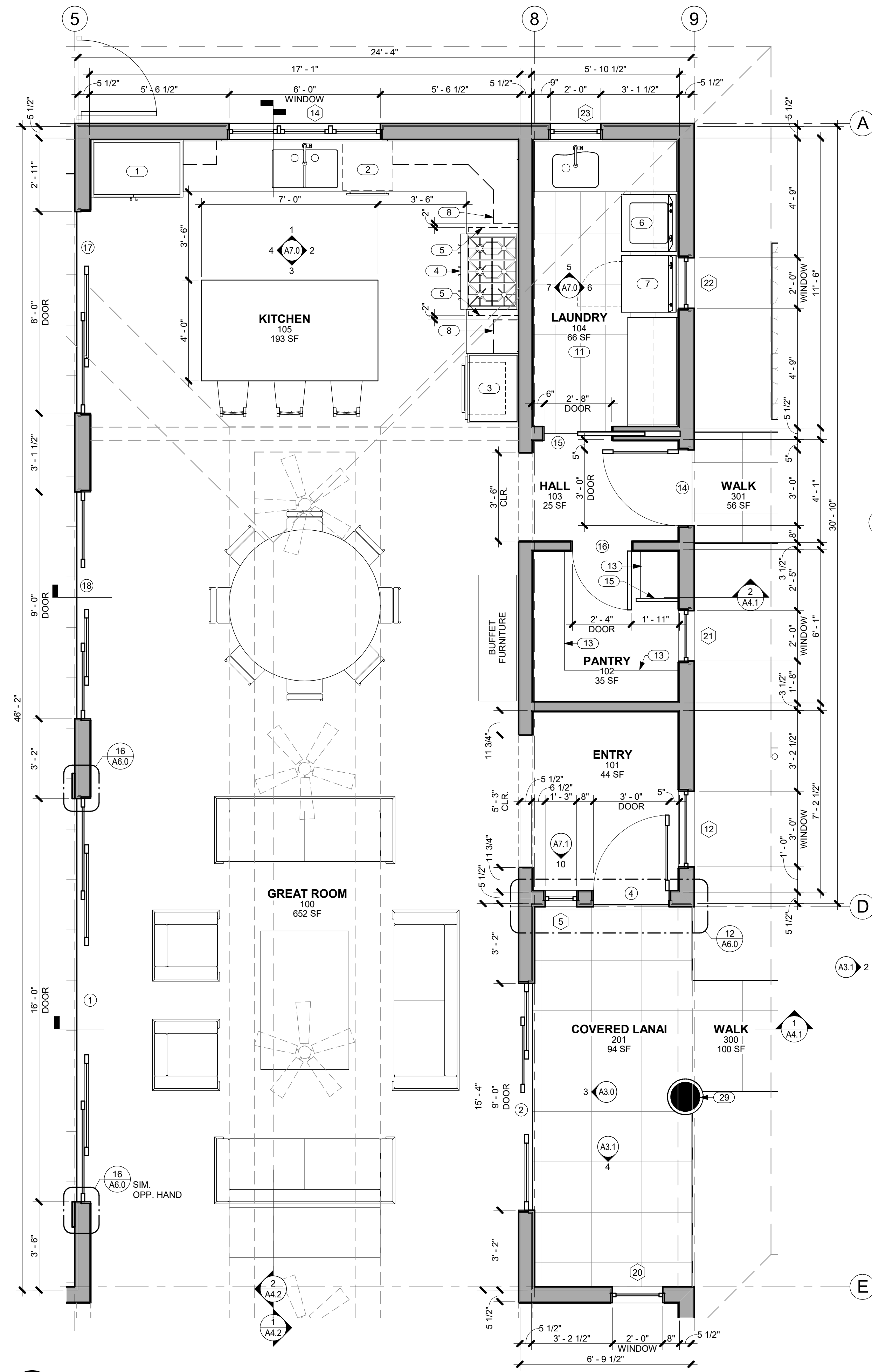
SCALE 3/8" = 1'-0"

SHEET

ENLARGED PLANS

SHEET

A2.2

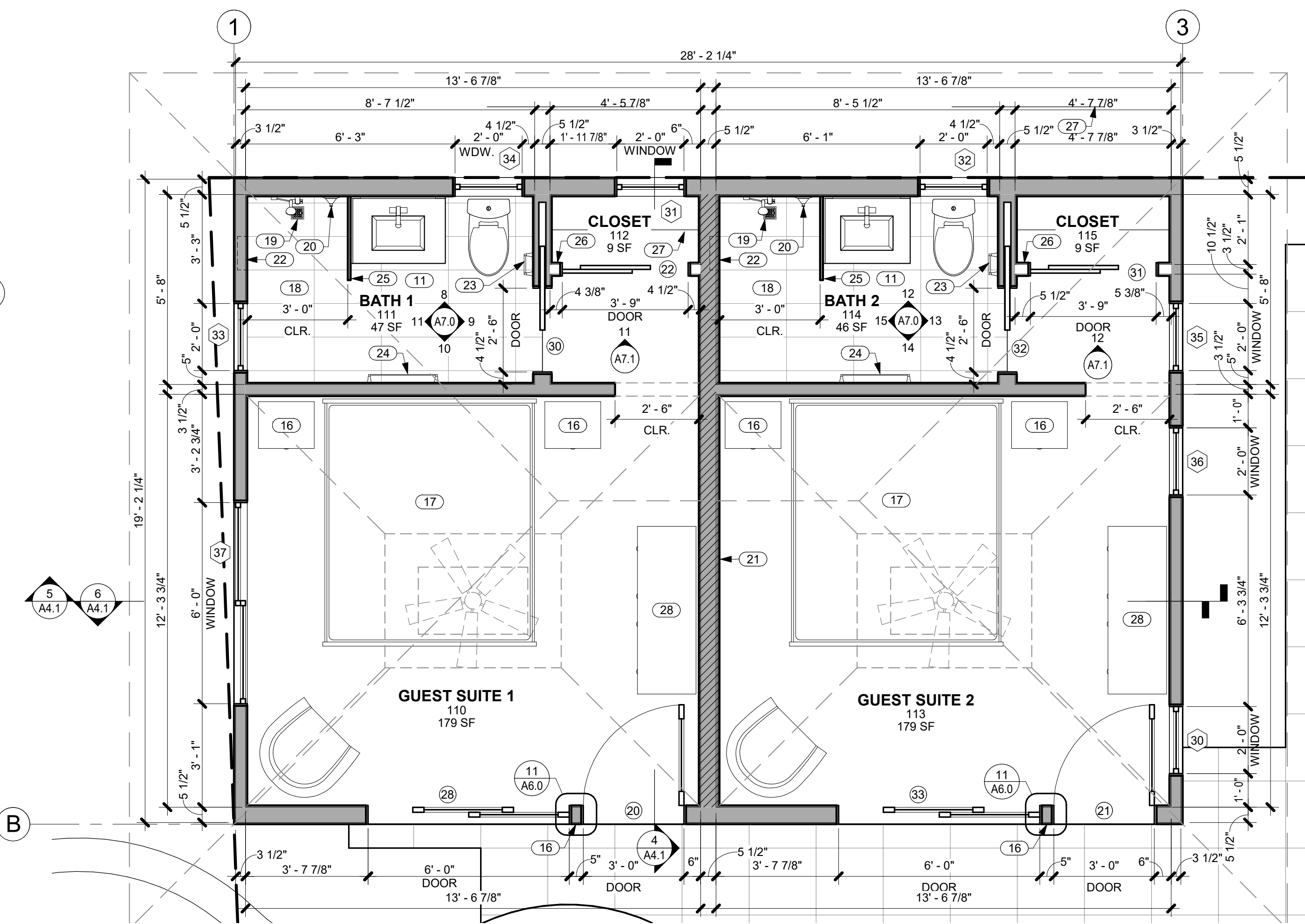


1 ENLARGED PLAN @ GREAT ROOM

A2.2 SCALE: 3/8" = 1'-0"

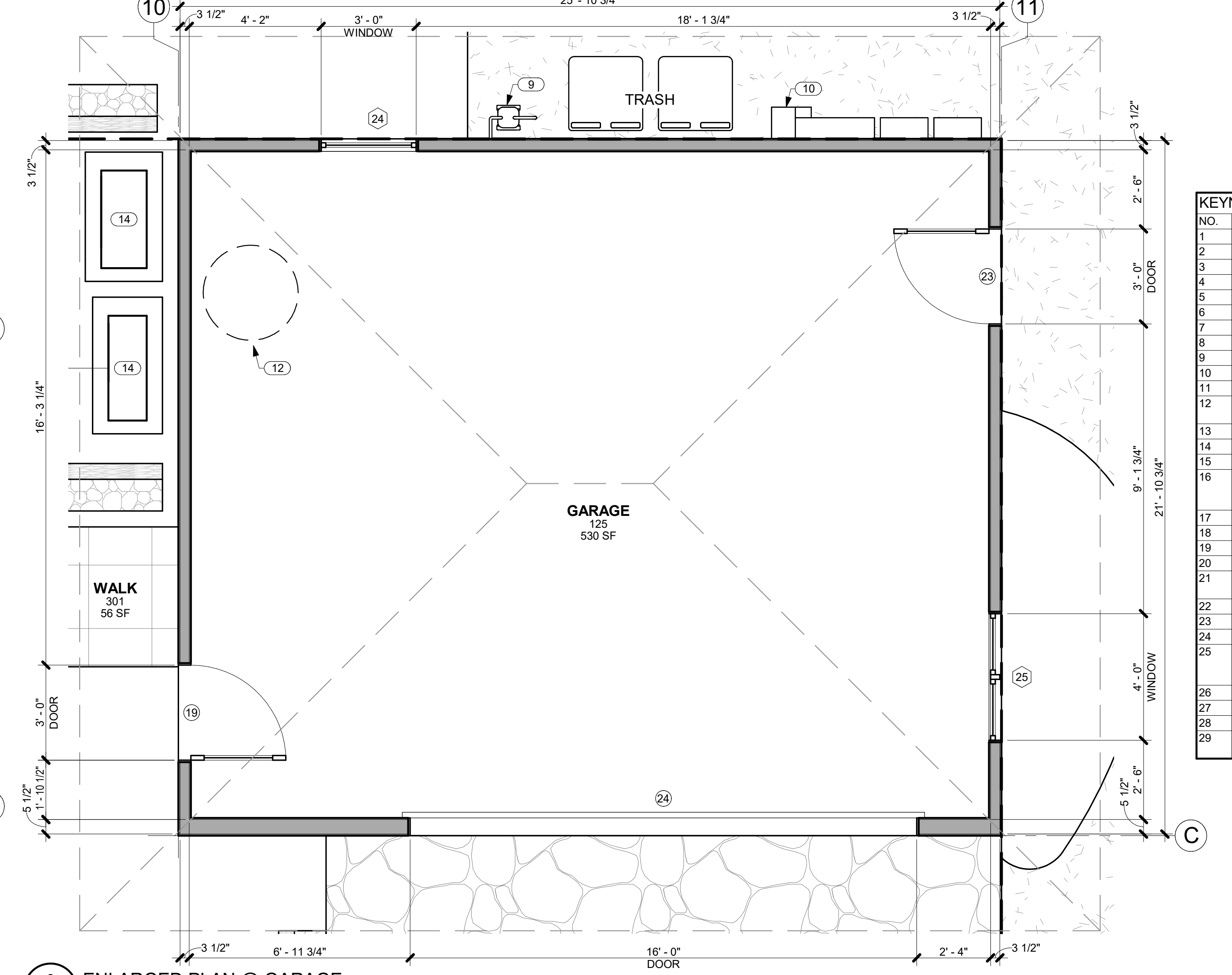
GENERAL NOTES

- 1 DIMENSIONS LOCATING WINDOWS, DOORS AND INTERIOR WALLS ARE FROM F.O. STUD TO DOOR OR WINDOW OPENING.
- 2 DIMENSIONS NOTED AS CLR. ARE TO F.O. FINISH.



2 ENLARGED PLAN @ GUEST SUITES 1 AND 2

A2.2 SCALE: 3/8" = 1'-0"



3 ENLARGED PLAN @ GARAGE

A2.2 SCALE: 3/8" = 1'-0"

KEYNOTES

NO.	NOTE
1	REFRIGERATOR.
2	DISHWASHER
3	OVEN AND MICROWAVE.
4	GAS RANGETOP.
5	RANGE HOOD ABOVE.
6	WASHER
7	DRYER.
8	UPPER CABINETS ABOVE.
9	GAS METER.
10	ELECTRICAL GEAR.
11	TILE FLOOR AND BASE.
12	SOLAR WATER HEATER UNDER SEPARATE PERMIT.
13	(5) SHELVES STARTING @ 2'-0" A.F.F. 18" O.C.
14	CONDENSER.
15	BULKHEAD.
16	TRIM BETWEEN HINGED DOOR AND SLIDER STAINED TO MATCH DOORS @ GUEST SUITES 1 AND 2.
17	CALIFORNIA KING SIZE BED 7'-0" X 6'-0".
18	TILE FLOOR AND WALLS.
19	FLUSH SQUARE DRAIN.
20	SHOWER CONTROLS.
21	2 X 6 WALL WITH R.C. CHANNELS AND ROCKWOOL S.A.B.
22	RECESS FOR SOAP/SHAMPOO.
23	TISSUE HOLDER.
24	TOWEL BAR MOUNTED @ 4'-0" A.F.F.
25	FULL HT. GLASS WALL @ SHOWER, 1/2" TEMP. CLEAR, FRAMELESS, GLAZING CHANNEL TOP AND BOTTOM.
26	TOP OF CLOSET WALL @ +7'-8" A.F.F.
27	SHELF AND ROD.
28	5'-0" X 1'-9" DRESSER.
29	WOOD FRAME CLAD IN STUCCO, 14" DIAMETER FINISHED EXTERIOR DIMENSION.



THIS WORK WAS PREPARED BY ME OR UNDER MY SUPERVISION. CONSTRUCTION OF THIS PROJECT WILL BE UNDER MY OBSERVATION.

SIGNATURE
EXPIRATION 4/30/22

GENERAL CONTRACTOR:

REVISIONS NO.	DESCRIPTION	DATE
1	INITIAL CONSULTANTS	2/2/22
2	FINAL DR SUBMISSION	2/9/22

SINGLE FAMILY RESIDENCE
LOT 24 NOHEA, PHASE 1
TMK: 3-6-8-043:024
 NOHEA AT MAUNA LANI, LLC
 101 HODENCAMP RD, SUITE 200
 THOUSAND OAKS, CA 91360
 PH: 805-494-7704 FAX: 805-494-1226

CRAIG MONAGHAN, ARCHITECT
 4522 LOWER DR. LAKE OSWEGO, OR 97035
 PH: 503-522-9000
 monaghan.craig@gmail.com

DATE 02/08/22

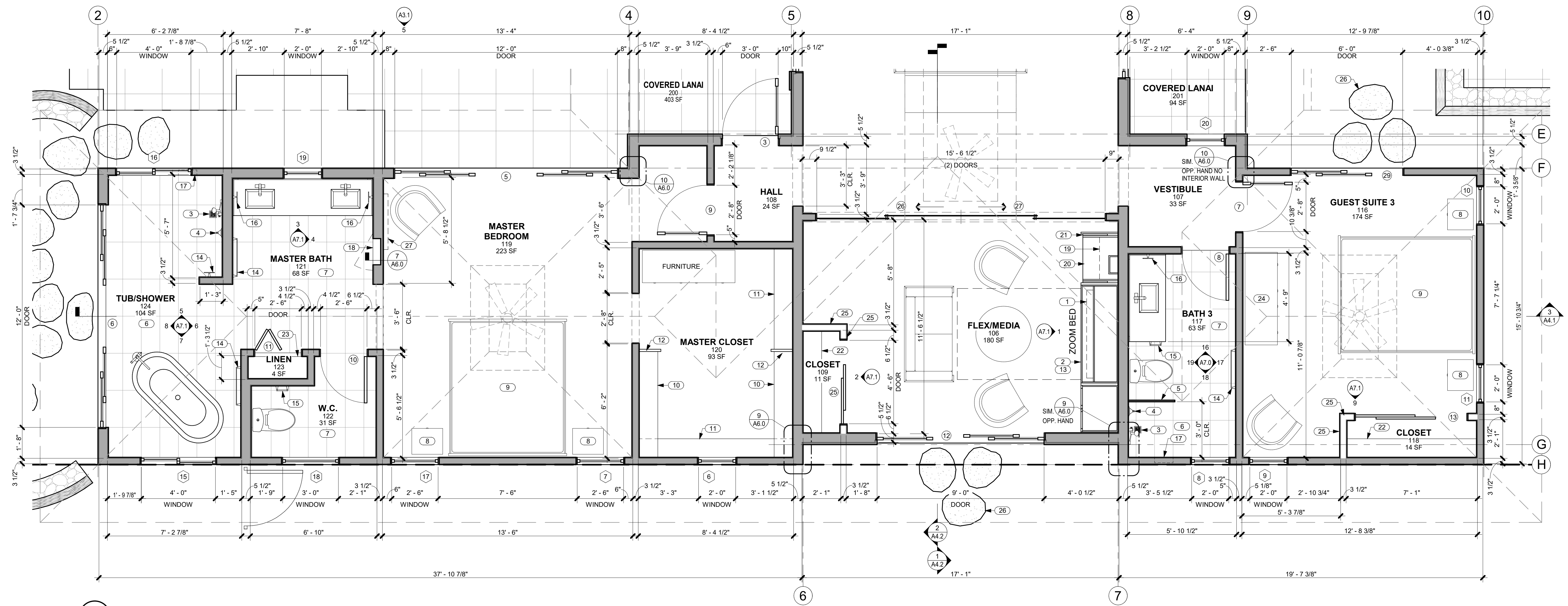
SCALE 3/8" = 1'-0"

SHEET

ENLARGED PLANS

SHEET

A2.3



1 ENLARGED PLAN @ MASTER BEDROOM, FLEX/MEDIA AND GUEST SUITE 3
A2.3 SCALE: 3/8" = 1'-0"

GENERAL NOTES

- DIMENSIONS LOCATING WINDOWS, DOORS AND INTERIOR WALLS ARE FROM F.O. STUD TO DOOR OR WINDOW OPENING.
- DIMENSIONS NOTED AS CLR. ARE TO F.O. FINISH.

KEYNOTES

NO.	NOTE
1	TV ABOVE.
2	ZOOM BED ENCLOSURE.
3	FLUSH SQUARE DRAIN.
4	SHOWER CONTROLS.
5	FULL HT. GLASS WALL @ SHOWER, 1/2" TEMP. CLEAR, FRAMELESS, GLAZING CHANNEL TOP AND BOTTOM.
6	TILE FLOOR AND WALLS.
7	TILE FLOOR AND BASE.
8	SIDE TABLE 1'-8" X 1'-5".
9	CALIFORNIA KING SIZE BED 7'-0" X 6'-0".
10	DOUBLE SHELF AND ROD.
11	SINGLE SHELF AND ROD.
12	BULKHEAD.
13	QUEEN SIZE ZOOM BED ONLY TO BE INSTALLED IN FLEX/MEDIA CABINET.
14	TOWEL BAR MOUNTED @ 4'-0" A.F.F.

KEYNOTES

NO.	NOTE
15	TISSUE HOLDER.
16	TOWEL RING MOUNTED @ 5'-0" A.F.F.
17	RECESS FOR SOAP/SHAMPOO.
18	MEDICINE CABINET.
19	ADJUSTABLE SHELF.
20	DESK.
21	RETRACTABLE DOORS.
22	SHELF AND ROD.
23	(5) SHELVES STARTING @ 2'-0" A.F.F. 18" O.C.
24	5'-0" X 1'-9" DRESSER.
25	TOP OF CLOSET WALL @ +7'-8" A.F.F.
26	STEPPING STONES.
27	TV ABOVE ON PIVOT.



LICENSED PROFESSIONAL ARCHITECT
NO. AS5675
HAWAII, U.S.A.

SIGNATURE
EXPIRATION 4/30/22

GENERAL CONTRACTOR:

REVISIONS NO.	DESCRIPTION	DATE
1	INITIAL CONSULTANTS	2/2/22
2	FINAL DR SUBMISSION	2/8/22

SINGLE FAMILY RESIDENCE
LOT 24 NOHEA, PHASE 1
TMK: 3-6-8-043:024
NOHEA AT MAUNA LANI, LLC
101 HODENCAMP RD. SUITE 200
THOUSAND OAKS, CA 91360
PH: 805-494-7704 FAX: 805-494-1226

CRAIG MONAGHAN, ARCHITECT
4522 LOWER DR. LAKE OSWEGO, OR 97035
PH: 503-522-9000
monaghan.craig@gmail.com

DATE 02/08/22

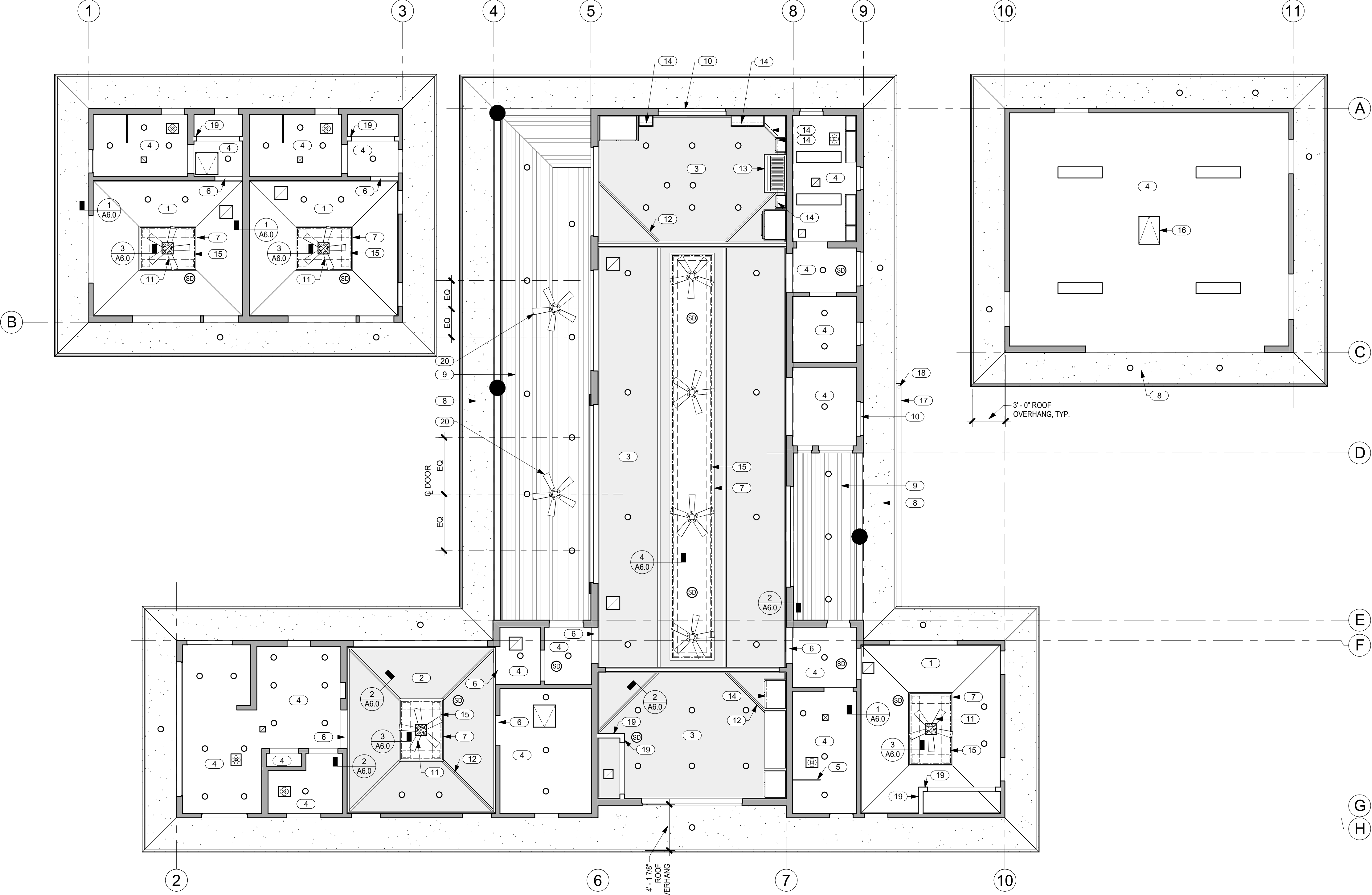
SCALE As indicated

SHEET

REFLECTED CEILING PLAN

SHEET

A2.4



1 REFLECTED CEILING PLAN
SCALE: 3/16" = 1'-0"

- GENERAL NOTES**
- SEE ELECTRICAL FOR LIGHT FIXTURES AND SMOKE DETECTORS.
 - SEE MECHANICAL FOR GRILLES AND ACCESS PANELS.

NO.	NOTE
1	5/8" GYP. BD. VAULTED CEILING 4/12 SLOPE.
2	5/8" GYP. BD. VAULTED CEILING W/ GRASS CLOTH AND STAINED WOOD TRIM 4/12 SLOPE.
3	5/8" GYP. BD. VAULTED CEILING W/ GRASS CLOTH AND STAINED WOOD TRIM 6/12 SLOPE.
4	5/8" GYP. BD. CEILING @ 9'-0" A.F.F.
5	FULL HT. GLASS WALL @ SHOWER, 1/2" TEMP. CLEAR, FRAMELESS, GLAZING CHANNEL TOP AND BOTTOM.
6	GYP. BD. SOFFIT @ 8'-0" A.F.F.
7	FRETWORK PANEL
8	EAVES: 3/8" STUCCO ON 5/8" DENSGLOSS TYP.
9	SOFFITS: 1 X 6 T&G CEDAR W/ CLEAR FINISH TYP.
10	STUCCO RETURNS @ STUCCO WINDOW AND DOOR OPENINGS TYP.
11	CEILING FAN
12	STAINED WOOD TRIM
13	RANGE HOOD
14	LED UNDERCABINET LIGHTING
15	LED ABOVE FRETWORK PANEL
16	22" X 30" ATTIC ACCESS
17	BAKED ENAMEL ALUMINUM 6" HALF ROUND GUTTER WITH CHAIN DRAIN
18	CHAIN DRAIN
19	TOP OF CLOSET WALL @ +7'-8" A.F.F.
20	CEILING FAN BOTTOM @ 9'-0" A.F.F.

- LEGEND**
- RETURN REGISTER
 - SUPPLY DIFFUSER
 - EXHAUST FAN
 - RECESSED DOWNLIGHT
 - 1 x 4 SURFACE MOUNT
 - LED LIGHTING SEE KEYNOTES FOR LOCATIONS
 - CEILING FAN
 - ACCESS PANELS, COORDINATE W/ MECHANICAL, SEE 6/A6.0 TYP.
 - SMOKE DETECTOR



2 TYP. FRETWORK PANEL
SCALE: 1" = 1'-0"



THIS WORK WAS PREPARED BY ME OR UNDER MY SUPERVISION. CONSTRUCTION OF THIS PROJECT WILL BE UNDER MY OBSERVATION.

SIGNATURE
EXPIRATION 4/30/22

GENERAL CONTRACTOR:

REVISIONS NO.	DESCRIPTION	DATE
1	ISSUE DR PACKAGE	12/31/21
2	ISSUE TO CONSULTANTS	2/28/22
4	FINAL DR SUBMISSION	2/28/22

SINGLE FAMILY RESIDENCE
LOT 24 NOHEA, PHASE 1
TMK: 3-6-8-043:024
 NOHEA AT MAUNA LANI, LLC
 101 HODENCAMP RD, SUITE 200
 THOUSAND OAKS, CA 91360
 PH: 805-494-7704 FAX: 805-494-1226

CRAIG MONAGHAN, ARCHITECT
 4522 LOWER DR. LAKE OSWEGO, OR 97035
 PH: 503-522-9000
 monaghan.craig@gmail.com

DATE 02/08/22

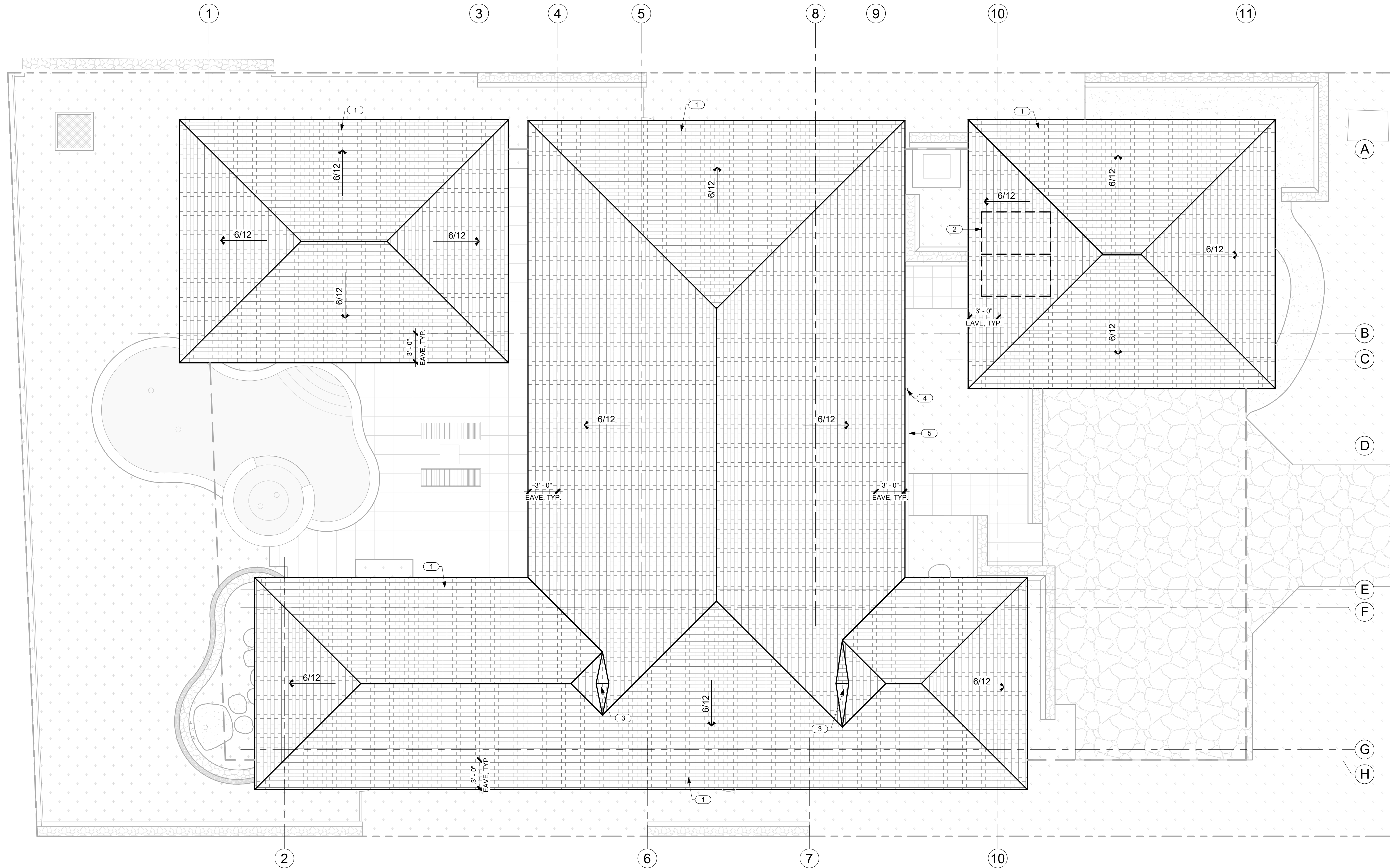
SCALE 3/16" = 1'-0"

SHEET

ROOF PLAN

SHEET

A2.5



1 ROOF PLAN
 A2.5 SCALE: 3/16" = 1'-0"

NO.	NOTE
1	SYNTHETIC POLYMER SHINGLE "SLATE" BY INSPIRE.
2	SOLAR WATER HEATING PANELS UNDER SEPARATE PERMIT.
3	CRICKET.
4	CHAIN DRAIN.
5	BAKED ENAMEL ALUMINUM 6" HALF ROUND GUTTER WITH CHAIN DRAIN.



THIS WORK WAS PREPARED BY ME OR UNDER MY SUPERVISION. CONSTRUCTION OF THIS PROJECT WILL BE UNDER MY OBSERVATION.

SIGNATURE
EXPIRATION 4/30/22

GENERAL CONTRACTOR:

REVISIONS NO.	DESCRIPTION	DATE
1	INITIAL CONSULTANTS	2/2/22
2	FINAL DR SUBMISSION	2/8/22

SINGLE FAMILY RESIDENCE
LOT 24 NOHEA, PHASE 1
TMK: 3-6-8-043:024
 NOHEA AT MAUNA LANI, LLC
 101 HODENCAMP RD. SUITE 200
 THOUSAND OAKS, CA 91360
 PH: 805-494-7704 FAX: 805-494-1226

CRAIG MONAGHAN, ARCHITECT
 4522 LOWER DR. LAKE OSWEGO, OR 97035
 PH: 503-522-9000
 monaghan.craig@gmail.com

DATE 02/08/22

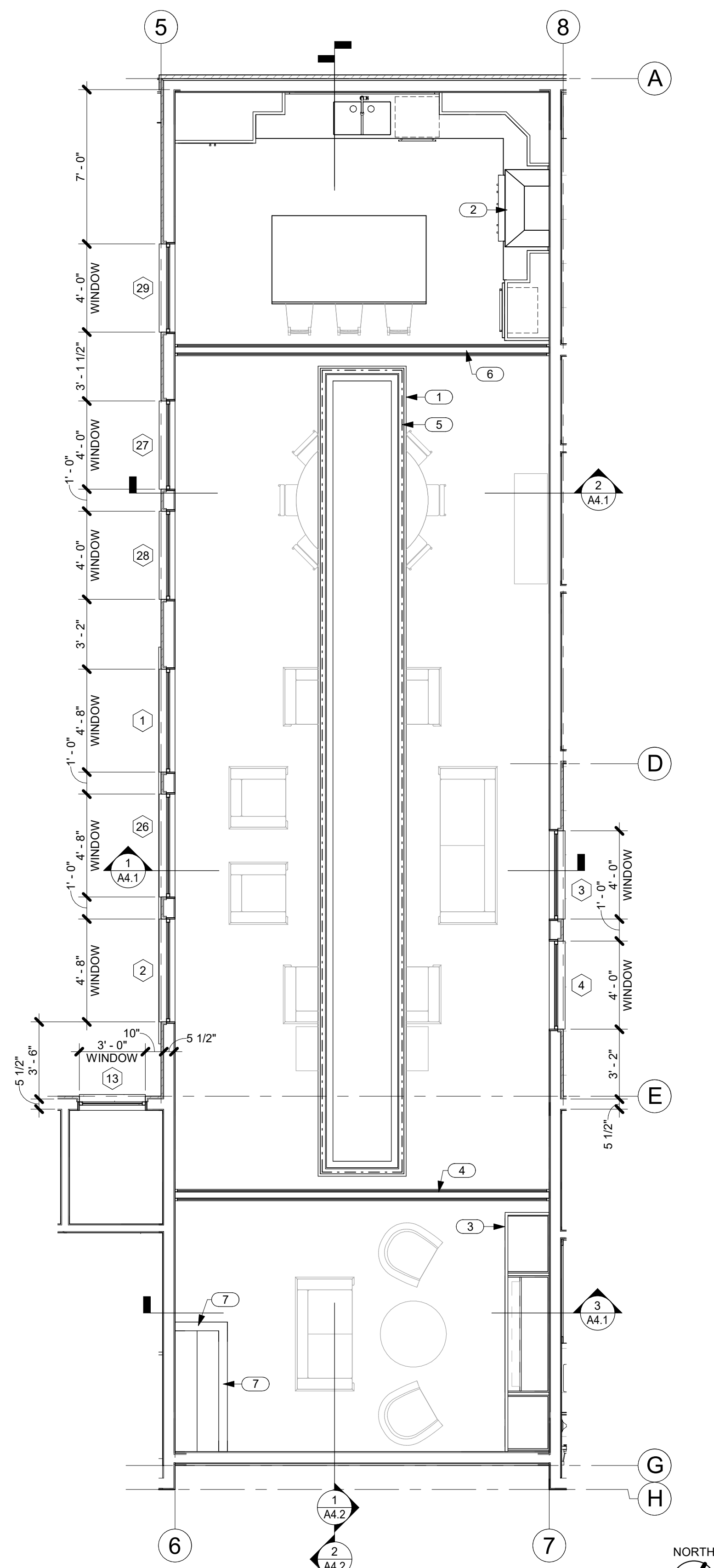
SCALE 1/4" = 1'-0"

SHEET

CLERESTORY PLAN, ROOM FINISH SCHEDULE

SHEET

A2.6



1
A2.6 CLERESTORY PLAN
 SCALE: 1/4" = 1'-0"
 NOTE:
 DIMENSIONS ARE TO F.O. STUD AND DOOR AND WINDOW OPENINGS.

NO.	NOTE
1	FRETWORK PANEL.
2	RANGE HOOD.
3	UPPER CABINETS.
4	BEAM AND DOOR BELOW.
5	LED ABOVE FRETWORK PANEL.
6	BEAM BELOW.
7	WALLS BELOW.

NO.	NAME	WALLS				FLOOR				AREA
		NORTH	EAST	SOUTH	WEST	FINISH	BASE	CEILING	CEILING TRIM	
100	GREAT ROOM	N/A	NOTE 1	NOTE 1	NOTE 1	NOTE 2	NOTE 3	NOTE 8	NOTE 9	652 SF
101	ENTRY	NOTE 1	NOTE 1	NOTE 1	NOTE 1	NOTE 2	NOTE 3	NOTE 1	NO TRIM	44 SF
102	PANTRY	NOTE 1	NOTE 1	NOTE 1	NOTE 1	NOTE 2	NOTE 3	NOTE 1	NO TRIM	35 SF
103	HALL	NOTE 1	NOTE 1	NOTE 1	NOTE 1	NOTE 2	NOTE 3	NOTE 1	NO TRIM	25 SF
104	LAUNDRY	NOTE 1	NOTE 1	NOTE 1	NOTE 1	NOTE 5	NOTE 6	NOTE 1	NO TRIM	66 SF
105	KITCHEN	NOTE 1	NOTE 1	N/A	NOTE 1	NOTE 2	NOTE 3	NOTE 8	NOTE 9	193 SF
106	FLEX/MEDIA	NOTE 1	NOTE 1	NOTE 1	NOTE 1	NOTE 2	NOTE 3	NOTE 8	NOTE 9	190 SF
107	VESTIBULE	NOTE 1	NOTE 1	NOTE 1	NOTE 1	NOTE 2	NOTE 3	NOTE 1	NO TRIM	33 SF
108	HALL	NOTE 1	NOTE 1	NOTE 1	NOTE 1	NOTE 2	NOTE 3	NOTE 1	NO TRIM	24 SF
109	CLOSET	NOTE 1	NOTE 1	NOTE 1	NOTE 1	NOTE 2	NOTE 3	NO CEILING	N/A	11 SF
110	GUEST SUITE 1	NOTE 1	NOTE 1	NOTE 1	NOTE 1	NOTE 2	NOTE 3	NOTE 1	NOTE 7	179 SF
111	BATH 1	NOTE 4	NOTE 4, NOTE 1	NOTE 1	NOTE 4, NOTE 1	NOTE 5	NOTE 6	NOTE 1	NO TRIM	47 SF
112	CLOSET	NOTE 1	NOTE 1	NOTE 1	NOTE 1	NOTE 2	NOTE 3	NO CEILING	N/A	9 SF
113	GUEST SUITE 2	NOTE 1	NOTE 1	NOTE 1	NOTE 1	NOTE 2	NOTE 3	NOTE 1	NOTE 7	179 SF
114	BATH 2	NOTE 4	NOTE 4, NOTE 1	NOTE 1	NOTE 4, NOTE 1	NOTE 5	NOTE 6	NOTE 1	NO TRIM	46 SF
115	CLOSET	NOTE 1	NOTE 1	NOTE 1	NOTE 1	NOTE 2	NOTE 3	NO CEILING	N/A	9 SF
116	GUEST SUITE 3	NOTE 1	NOTE 1	NOTE 1	NOTE 1	NOTE 2	NOTE 3	NOTE 1	NOTE 7	174 SF
117	BATH 3	NOTE 1	NOTE 4, NOTE 1	NOTE 4	NOTE 4, NOTE 1	NOTE 5	NOTE 6	NOTE 1	NO TRIM	63 SF
118	CLOSET	NOTE 1	NOTE 1	NOTE 1	NOTE 1	NOTE 2	NOTE 3	NO CEILING	N/A	14 SF
119	MASTER BEDROOM	NOTE 1	NOTE 1	NOTE 1	NOTE 1	NOTE 2	NOTE 3	NOTE 8	NOTE 9	223 SF
120	MASTER CLOSET	NOTE 1	NOTE 1	NOTE 1	NOTE 1	NOTE 2	NOTE 3	NOTE 1	NO TRIM	93 SF
121	MASTER BATH	NOTE 1	NOTE 1	NOTE 1	NOTE 1	NOTE 5	NOTE 6	NOTE 1	NO TRIM	68 SF
122	W.C.	NOTE 1	NOTE 1	NOTE 1	NOTE 1	NOTE 5	NOTE 6	NOTE 1	NO TRIM	31 SF
123	LINEN	NOTE 1	NOTE 1	NOTE 1	NOTE 1	NOTE 5	NOTE 6	NOTE 1	NO TRIM	4 SF
124	TUB/SHOWER	NOTE 4	NOTE 4	NOTE 4	NOTE 4	NOTE 5	N/A	NOTE 1	NO TRIM	104 SF
125	GARAGE	NOTE 1	NOTE 1	NOTE 1	NOTE 1	CONC. NOTE 10	NOTE 3	NOTE 1	NO TRIM	530 SF

NOTES

- 5/8" GYP BD. LEVEL 4 FINISH WITH PPG PAINTS PPG 1097-4 DUSTY TRAIL.
- WOOD FLOOR: SW BAMBOO ANTIQUE DISTRESSED WITH VAPOR BARRIER.
- WALL BASE: 5/8" X 5 1/2" MIXED GRAIN SPANISH CEDAR W/ PPG PAINTS FOR INTERIOR CLEAR LACQUER BASED, SATIN FINISH, 2 COATS.
OR
STEAMED BEECH W/ PPG PAINTS SATIN STAIN TO MATCH SIKKENS STAIN-009 DARK OAK, 1 COAT OF CETOL 1" AND 1 COAT OF CETOL 2/3 PLUS.
- WALL TILE: 12 X 24 TRAVERTE CHIARO PORCELAIN TILE COLLECTION, PROVIDE WATER RESISTANT BACKER BOARD PER MANUFACTURER'S RECOMMENDATION IN LIEU OF GYP. BD. SEE GENERAL NOTE 1.
- FLOOR TILE: 12 X 24 TRAVERTE CHIARO PORCELAIN TILE COLLECTION, PROVIDE MEMBRANE BOND BREAKER UNDER TILE, SEE GENERAL NOTE 1
- TILE BASE: TRAVERTE CHIARO PORCELAIN TILE COLLECTION FINISHED BULLNOSE TILE MATCHING FLOOR, 5 1/2" HT., SEE GENERAL NOTE 1
- CEILING TRIM: 3/4" X 3 1/2" MIXED GRAIN SPANISH CEDAR W/ PPG PAINTS FOR INTERIOR CLEAR LACQUER BASED, SATIN FINISH, 2 COATS.
OR
STEAMED BEECH W/ PPG PAINTS SATIN STAIN TO MATCH SIKKENS STAIN-009 DARK OAK, 1 COAT OF CETOL 1" AND 1 COAT OF CETOL 2/3 PLUS.
- GRASS CLOTH OVER 5/8" GYP. BD.
- CEILING TRIM: 3/4" X 3 1/2" ON WALL. 3/4" X 1 1/2" ON CEILING AT CEILING/WALL TRANSITION AND 3/4" X 1 1/2" BOTH SIDES OF HIPS.
MIXED GRAIN SPANISH CEDAR W/ PPG PAINTS FOR INTERIOR CLEAR LACQUER BASED, SATIN FINISH, 2 COATS.
OR
STEAMED BEECH W/ PPG PAINTS SATIN STAIN TO MATCH SIKKENS STAIN-009 DARK OAK, 1 COAT OF CETOL 1" AND 1 COAT OF CETOL 2/3 PLUS.
- EPOXY PAINT.

GENERAL NOTES

- FOR TILE WORK ALIGN JOINTS WALL AND FLOOR. STACKED BOND 1/16" JOINTS WITH DARK GREY GROUT, PROVIDE ALL ACCESSORY PIECES, BULLNOSE, CORNERS, COVE ETC. FOR A COMPLETE JOB, PROVIDE ANTI-FRACTURE MEMBRANE.



THIS WORK WAS PREPARED BY ME OR UNDER MY SUPERVISION. CONSTRUCTION OF THIS PROJECT WILL BE UNDER MY OBSERVATION.

SIGNATURE
EXPIRATION 4/30/22

GENERAL CONTRACTOR:

REVISIONS NO.	DESCRIPTION	DATE
1	DR PACKAGE	12/01/21
2	ISSUE TO CONSULTANTS	2/28/22
4	FINAL DR SUBMISSION	2/28/22

SINGLE FAMILY RESIDENCE
LOT 24 NOHEA, PHASE 1
 TMK: 3-6-8-043:024
 NOHEA AT MAUNA LANI, LLC
 101 HODENCAMP RD, SUITE 200
 THOUSAND OAKS, CA 91360
 PH: 805-494-7704 FAX: 805-494-1226

CRAIG MONAGHAN, ARCHITECT
 4522 LOWER DR. LAKE OSWEGO, OR 97035
 PH: 503-522-9000
 monaghan.craig@gmail.com

DATE 02/08/22

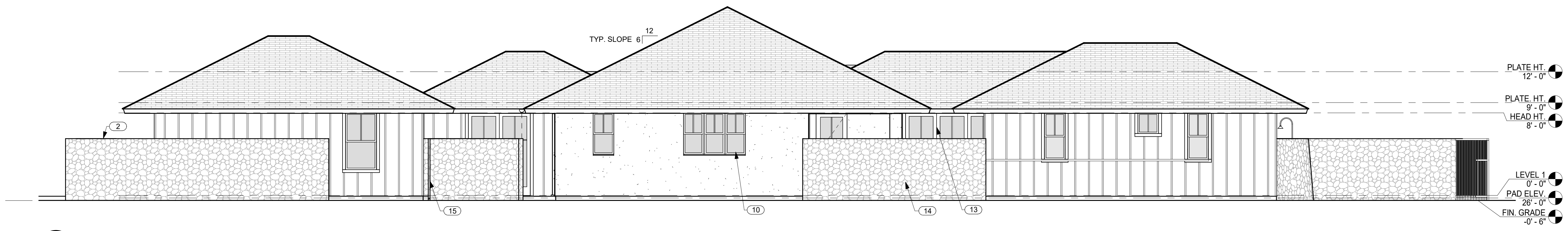
SCALE 3/16" = 1'-0"

SHEET

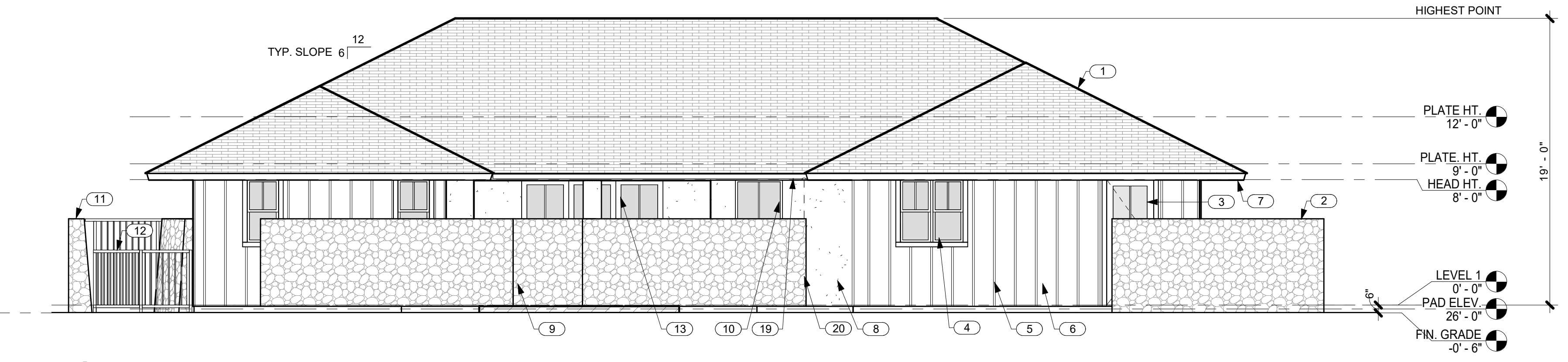
EXTERIOR ELEVATIONS

SHEET

A3.0



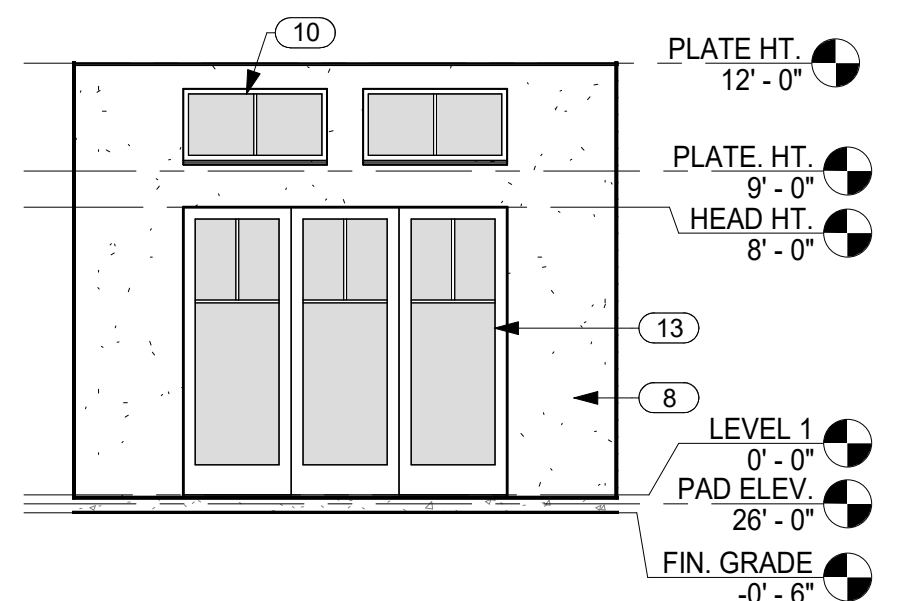
1 WEST ELEVATION
 A3.0 SCALE: 3/16" = 1'-0"



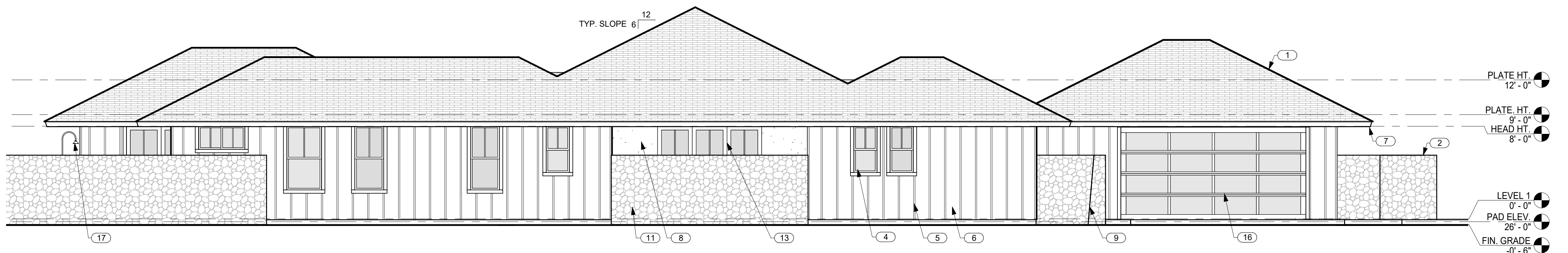
2 NORTH ELEVATION
 A3.0 SCALE: 3/16" = 1'-0"

KEYNOTES

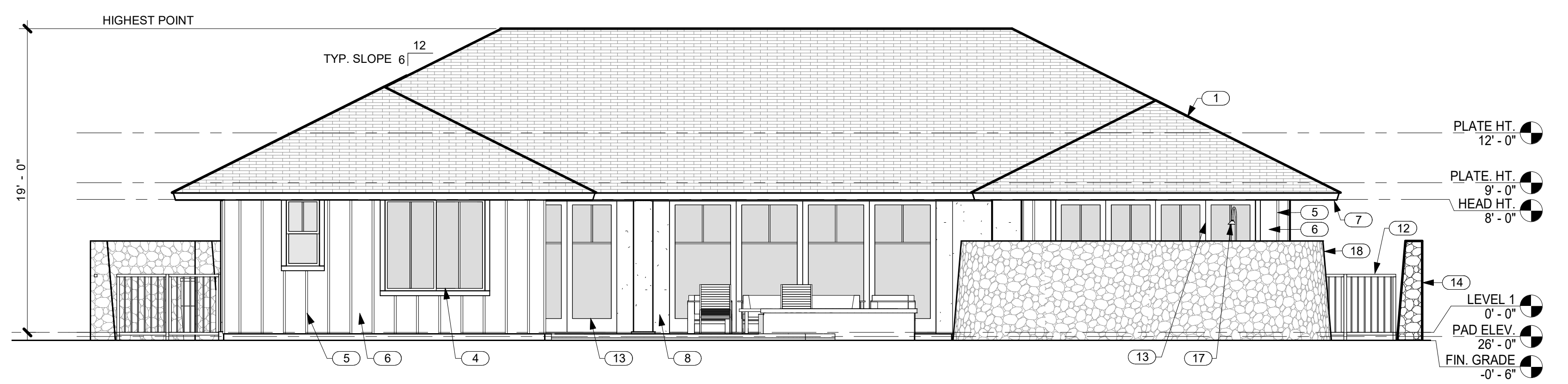
NO.	NOTE
1	SYNTHETIC POLYMER SHINGLE "SLATE" BY INSPIRE.
2	6'-0" HIGH FROM FINISH GRADE A/A' LAVA ROCK WALL SCREENS TRASH AND RECYCLE AREA.
3	ALUMINUM CLAD WOOD DOOR WITH OBSCURE GLASS.
4	ANODIZED ALUMINUM DOUBLE GLAZED WINDOWS.
5	1 X 2 CEDAR BATTS @ 16" O.C.
6	5/8" BRECKINRIDGE SIDING.
7	1 X T.K. W.R. CEDAR FASCIA W/ SEMI TRANSPARENT STAIN TYP.
8	SAND FINISH STUCCO W/ INTEGRAL COLOR.
9	6'-0" HIGH FROM FINISH GRADE A/A' LAVA ROCK WALL SCREENS FRONT OF RESIDENCE.
10	ANODIZED ALUMINUM DOUBLE GLAZED WINDOWS W/ STUCCO SILLS AT STUCCO WINDOW OPENINGS.
11	6'-0" HIGH FROM FINISH GRADE A/A' LAVA ROCK WALL SCREENS FLEXMEDIA 106.
12	4" HIGH SQUARE TUBE W/ SQUARE PICKETS @ 4" O.C. BAKED ENAMEL FENCE AND SELF CLOSING, SELF LATCHING GATE BY MAJESTIC FENCE COMPANY SCREENS POOL AREA.
13	ANODIZED ALUMINUM SINGLE GLAZED SLIDING DOORS.
14	6'-0" HIGH FROM FINISH GRADE A/A' LAVA ROCK WALL SCREENS POOL AREA.
15	6'-0" HIGH FROM FINISH GRADE A/A' LAVA ROCK WALL SCREENS POOL HEATER AND CONDENSER AREA.
16	ANODIZED ALUMINUM GARAGE DOOR W/ WHITE OBSCURE LAMINATED GLASS.
17	6" DIAMETER RAIN HEAD W/ COPPER PIPE.
18	6'-0" HIGH FROM FINISH GRADE A/A' LAVA ROCK WALL SCREENS SHOWER GARDEN.
19	BAKED ENAMEL ALUMINUM 6" HALF ROUND GUTTER WITH CHAIN DRAIN.
20	CHAIN DRAIN.



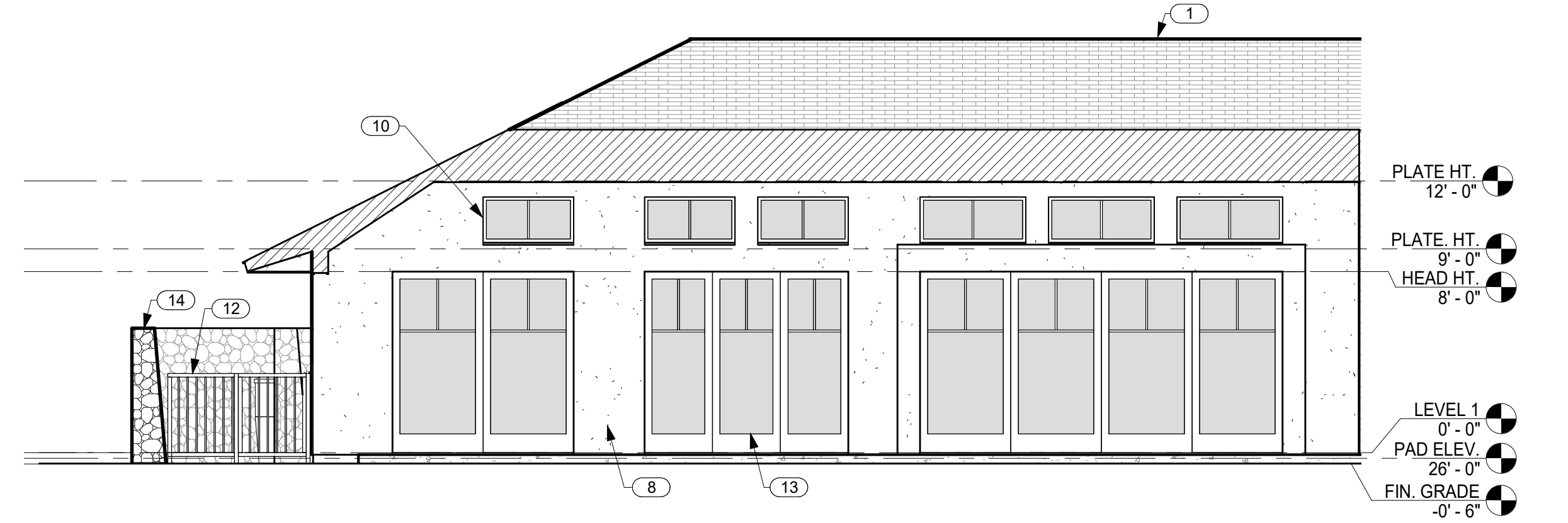
3 NORTH ELEVATION @ ENTRY 1
 A3.0 SCALE: 3/16" = 1'-0"



4 EAST ELEVATION
 A3.0 SCALE: 3/16" = 1'-0"



5 SOUTH ELEVATION
 A3.0 SCALE: 3/16" = 1'-0"

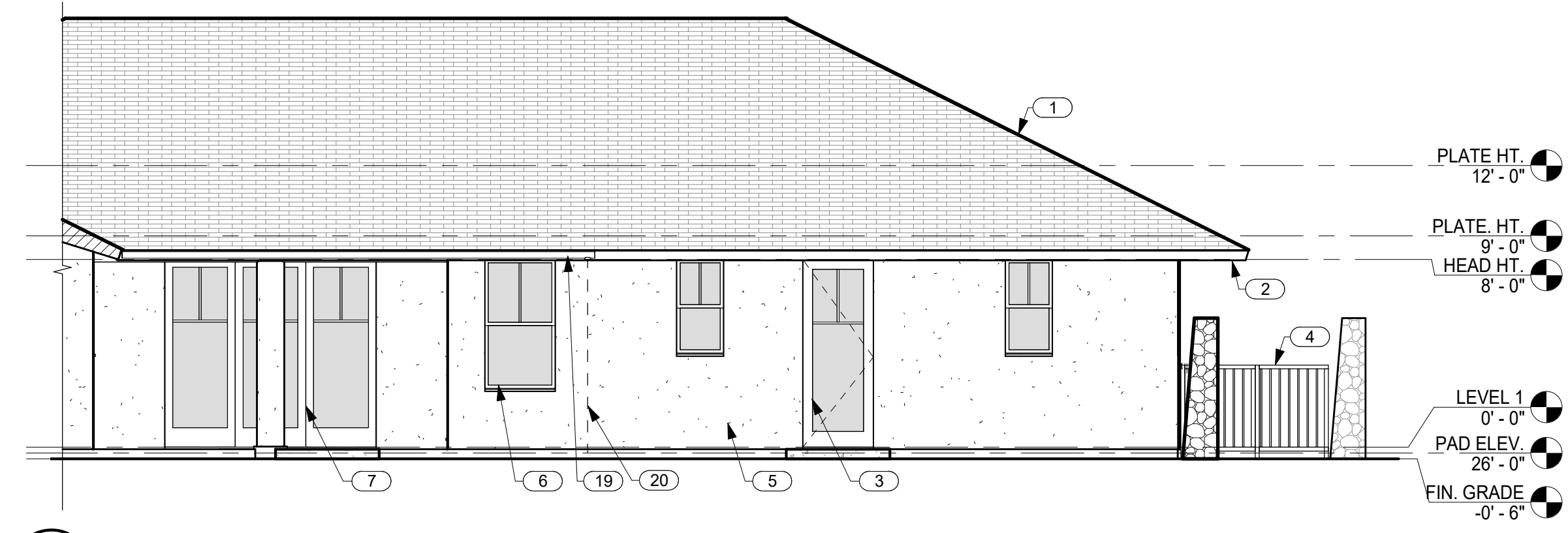


6 SOUTH ELEVATION @ COVERED LANAI
 A3.0 SCALE: 3/16" = 1'-0"

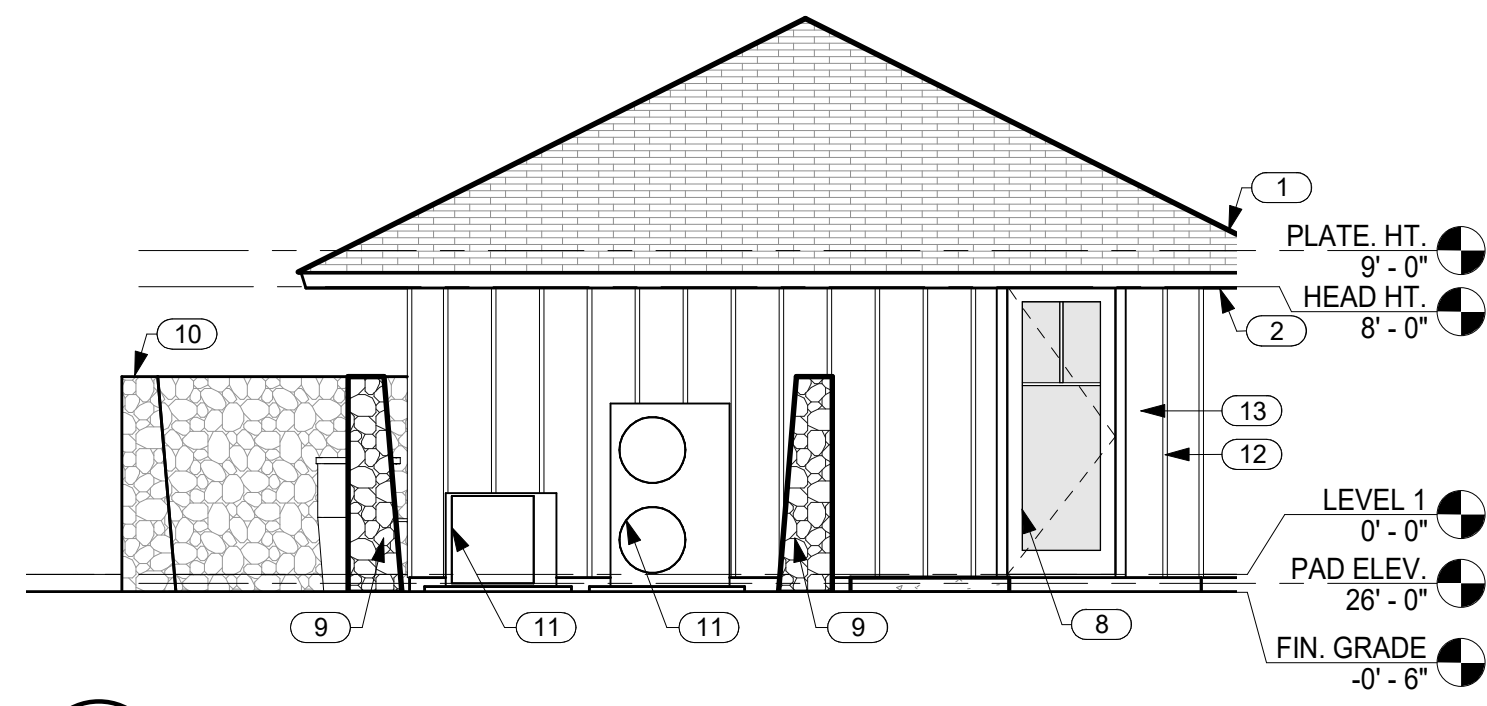


THIS WORK WAS PREPARED BY ME OR UNDER MY SUPERVISION. CONSTRUCTION OF THIS PROJECT WILL BE UNDER MY OBSERVATION.

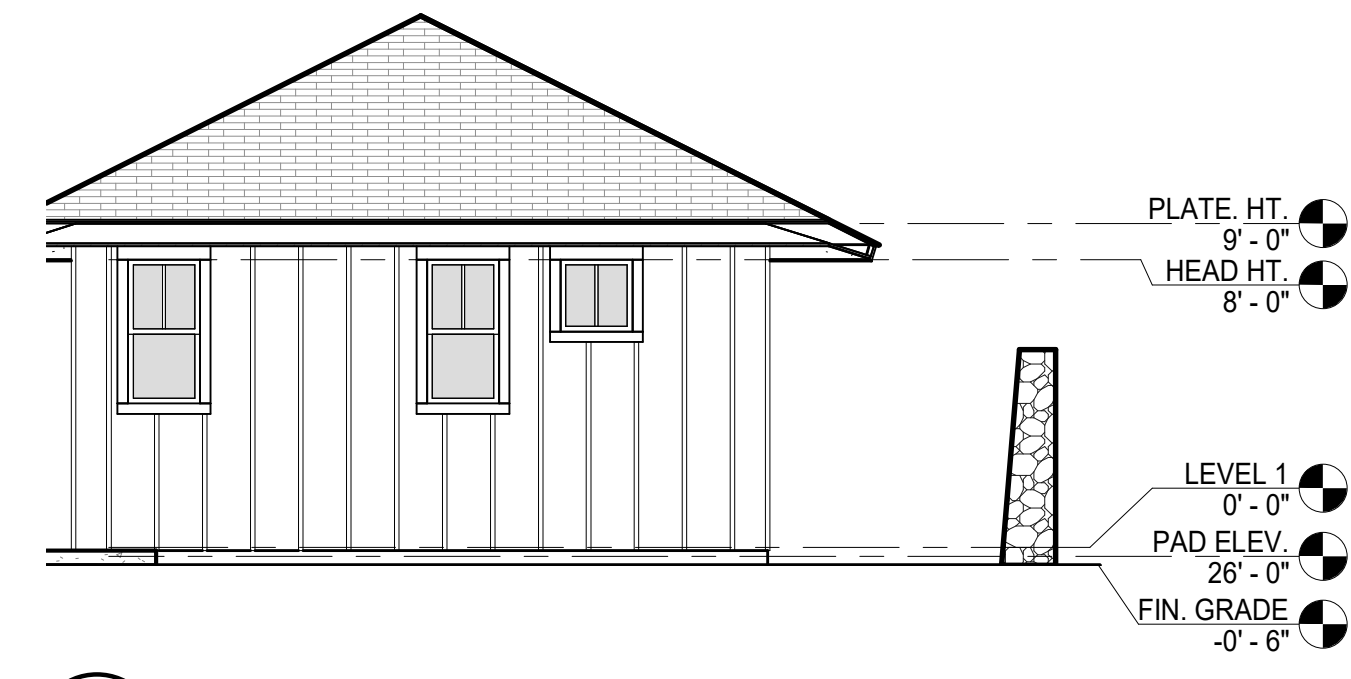
SIGNATURE
EXPIRATION 4/30/22



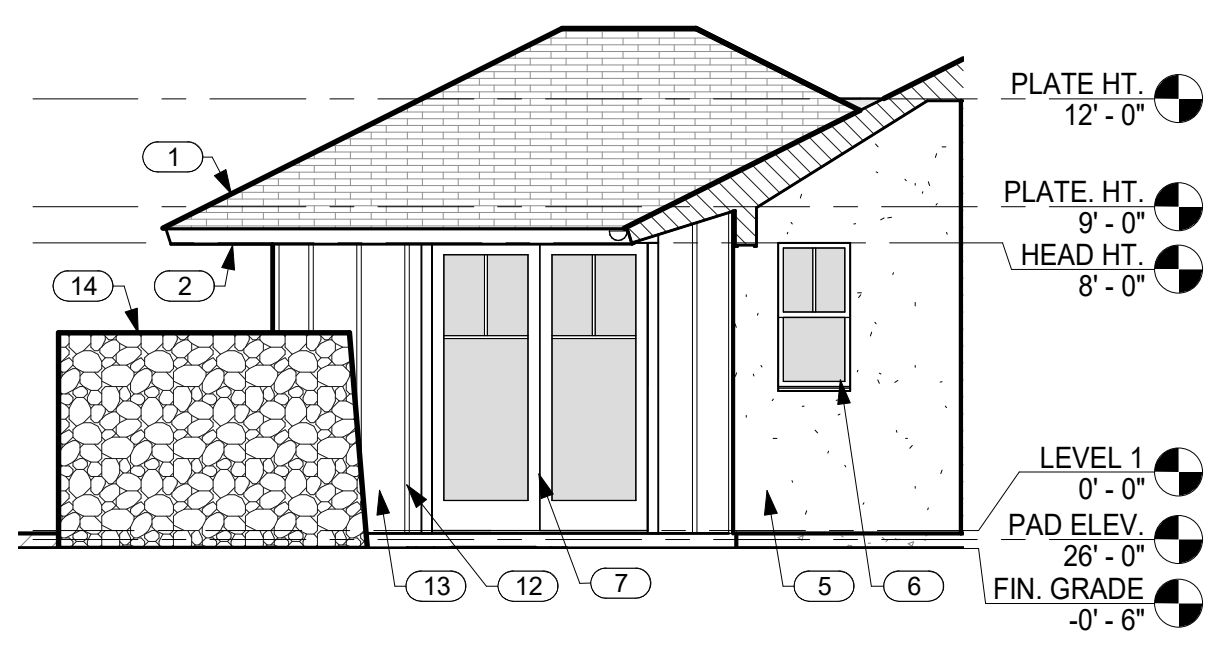
1 NORTH ELEVATION @ ENTRY 2
A3.1 SCALE: 3/16" = 1'-0"



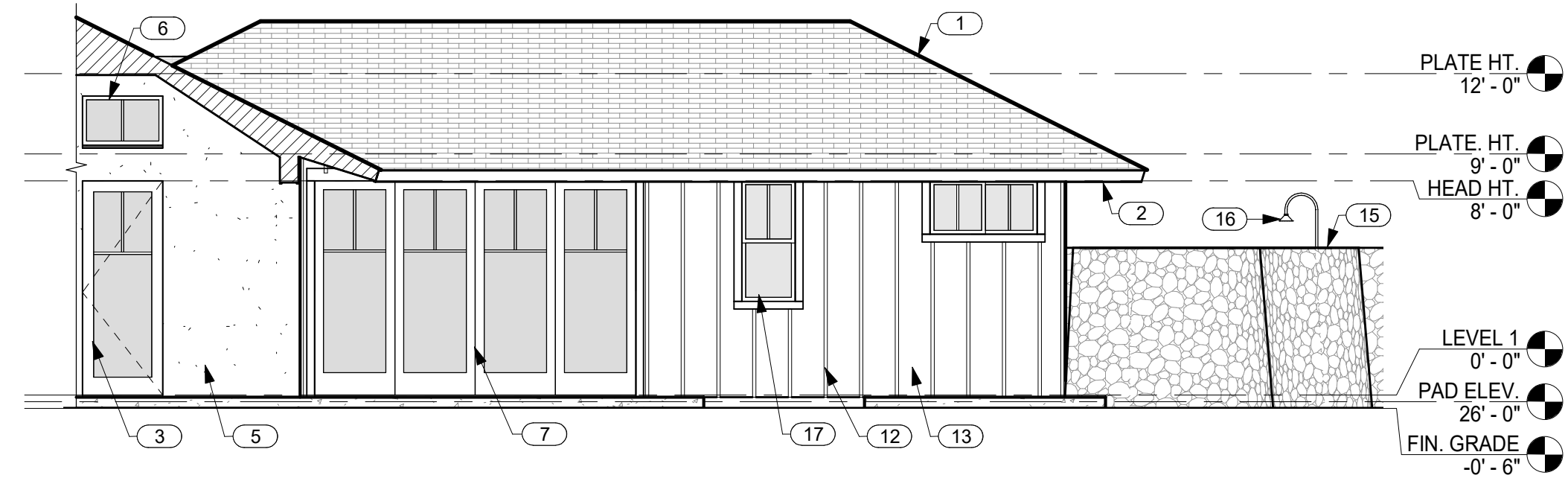
2 SOUTH ELEVATION @ GARAGE
A3.1 SCALE: 3/16" = 1'-0"



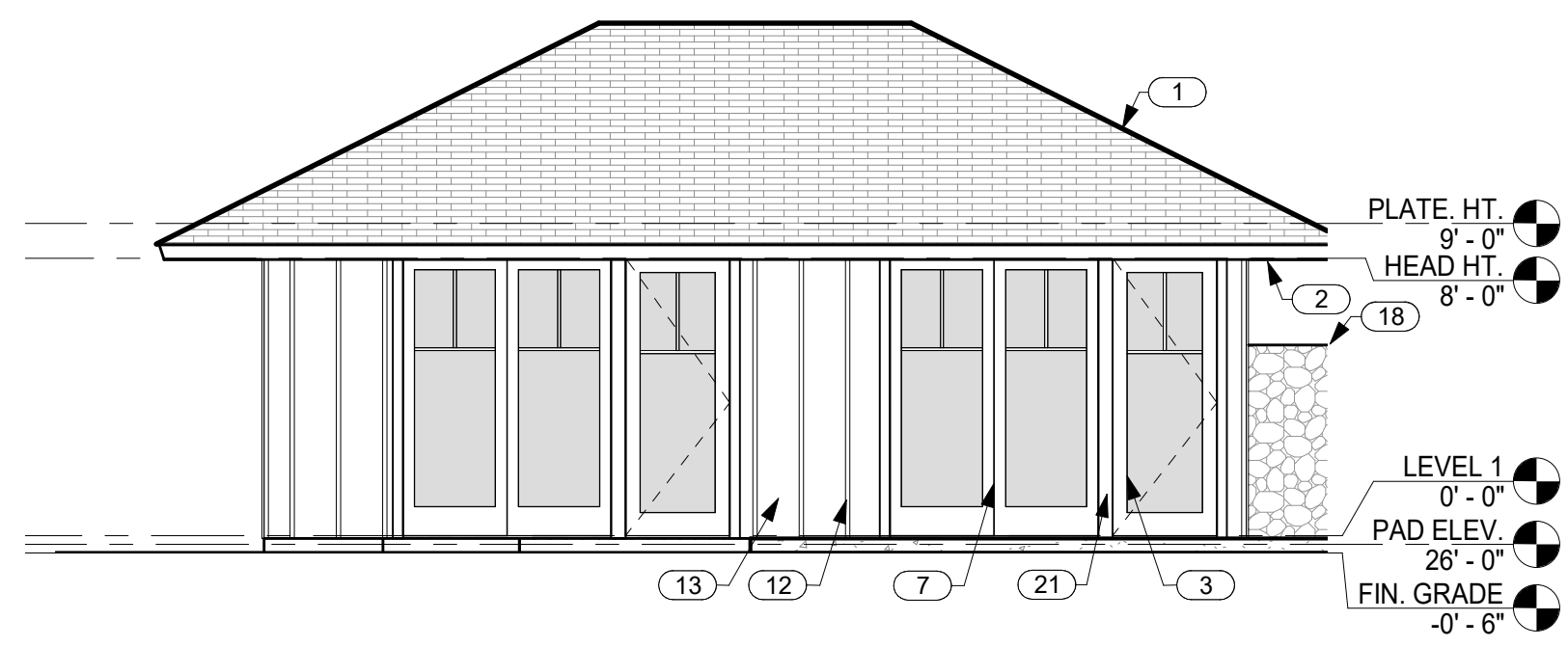
3 NORTH ELEVATION @ GUEST SUITE 2
A3.1 SCALE: 3/16" = 1'-0"



4 WEST ELEVATION @ ENTRY
A3.1 SCALE: 3/16" = 1'-0"



5 WEST ELEVATION @ MASTER BEDROOM
A3.1 SCALE: 3/16" = 1'-0"



6 EAST ELEVATION @ GUEST SUITES 1 AND 2
A3.1 SCALE: 3/16" = 1'-0"

KEYNOTES	
NO.	NOTE
1	SYNTHETIC POLYMER SHINGLE "SLATE" BY INSPIRE.
2	1 X T.K. W.R. CEDAR FASCIA W/ SEMI TRANSPARENT STAIN TYP.
3	ALUMINUM CLAD WOOD DOOR.
4	4' HIGH SQUARE TUBE W/ SQUARE PICKETS @ 4" O.C. BAKED ENAMEL FENCE AND SELF CLOSING, SELF LATCHING GATE BY MAJESTIC FENCE COMPANY SCREENS POOL AREA.
5	SAND FINISH STUCCO W/ INTEGRAL COLOR.
6	ANODIZED ALUMINUM DOUBLE GLAZED WINDOWS W/ STUCCO SILLS AT STUCCO WINDOW OPENINGS.
7	ANODIZED ALUMINUM SINGLE GLAZED SLIDING DOORS.
8	ALUMINUM CLAD WOOD DOOR WITH OBSCURE GLASS.
9	6'-0" HIGH FROM FINISH GRADE A/A LAVA ROCK WALL SCREENS POOL HEATER AND CONDENSER AREA.
10	6'-0" HIGH FROM FINISH GRADE A/A LAVA ROCK WALL SCREENS TRASH AND RECYCLE AREA.
11	CONDENSER.
12	1 X 2 CEDAR BATTS @ 16" O.C.
13	5/8" BRECKINRIDGE SIDING.
14	6'-0" HIGH FROM FINISH GRADE A/A LAVA ROCK WALL SCREENS FRONT OF RESIDENCE.
15	6'-0" HIGH FROM FINISH GRADE A/A LAVA ROCK WALL SCREENS SHOWER GARDEN.
16	6" DIAMETER RAIN HEAD W/ COPPER PIPE.
17	ANODIZED ALUMINUM DOUBLE GLAZED WINDOWS.
18	6'-0" HIGH FROM FINISH GRADE A/A LAVA ROCK WALL SCREENS POOL AREA.
19	BAKED ENAMEL ALUMINUM 6" HALF ROUND GUTTER WITH CHAIN DRAIN.
20	CHAIN DRAIN.
21	TRIM BETWEEN HINGED DOOR AND SLIDER STAINED TO MATCH DOORS @ GUEST SUITES 1 AND 2.

GENERAL CONTRACTOR:

REVISIONS	NO.	DESCRIPTION	DATE
	1	ISSUE FOR PACKAGE	12/31/21
	2	ISSUE TO CONSULTANTS	2/28/22
	4	FINAL DR SUBMISSION	2/28/22

SINGLE FAMILY RESIDENCE
LOT 24 NOHEA, PHASE 1
TMK: 3-6-8-043:024
NOHEA AT MAUNA LANI, LLC
101 HODENCAMP RD. SUITE 200
THOUSAND OAKS, CA 91360
PH: 805-494-7704 FAX: 805-494-1226

CRAIG MONAGHAN, ARCHITECT
4522 LOWER DR. LAKE OSWEGO, OR 97035
PH: 503-522-9000
monaghan.craig@gmail.com

DATE 02/08/22

SCALE 3/16" = 1'-0"

SHEET

EXTERIOR ELEVATIONS

SHEET

A3.1



THIS WORK WAS PREPARED BY ME OR UNDER MY SUPERVISION. CONSTRUCTION OF THIS PROJECT WILL BE UNDER MY OBSERVATION.

SIGNATURE
EXPIRATION 4/30/22

GENERAL CONTRACTOR:

REVISIONS	NO.	DESCRIPTION	DATE
	1	CONSULTANTS	2/2/22
	2	FINAL DR SUBMISSION	2/8/22

SINGLE FAMILY RESIDENCE
LOT 24 NOHEA, PHASE 1
TMK: 3-6-8-043-024
 NOHEA AT MAUNA LANI, LLC
 101 HODENKAMP RD, SUITE 200
 THOUSAND OAKS, CA 91360
 PH: 805-494-7704 FAX: 805-494-1226

CRAIG MONAGHAN, ARCHITECT
 4522 LOWER DR. LAKE OSWEGO, OR 97035
 PH: 503-522-9000
 monaghan.craig@gmail.com

DATE 02/08/22

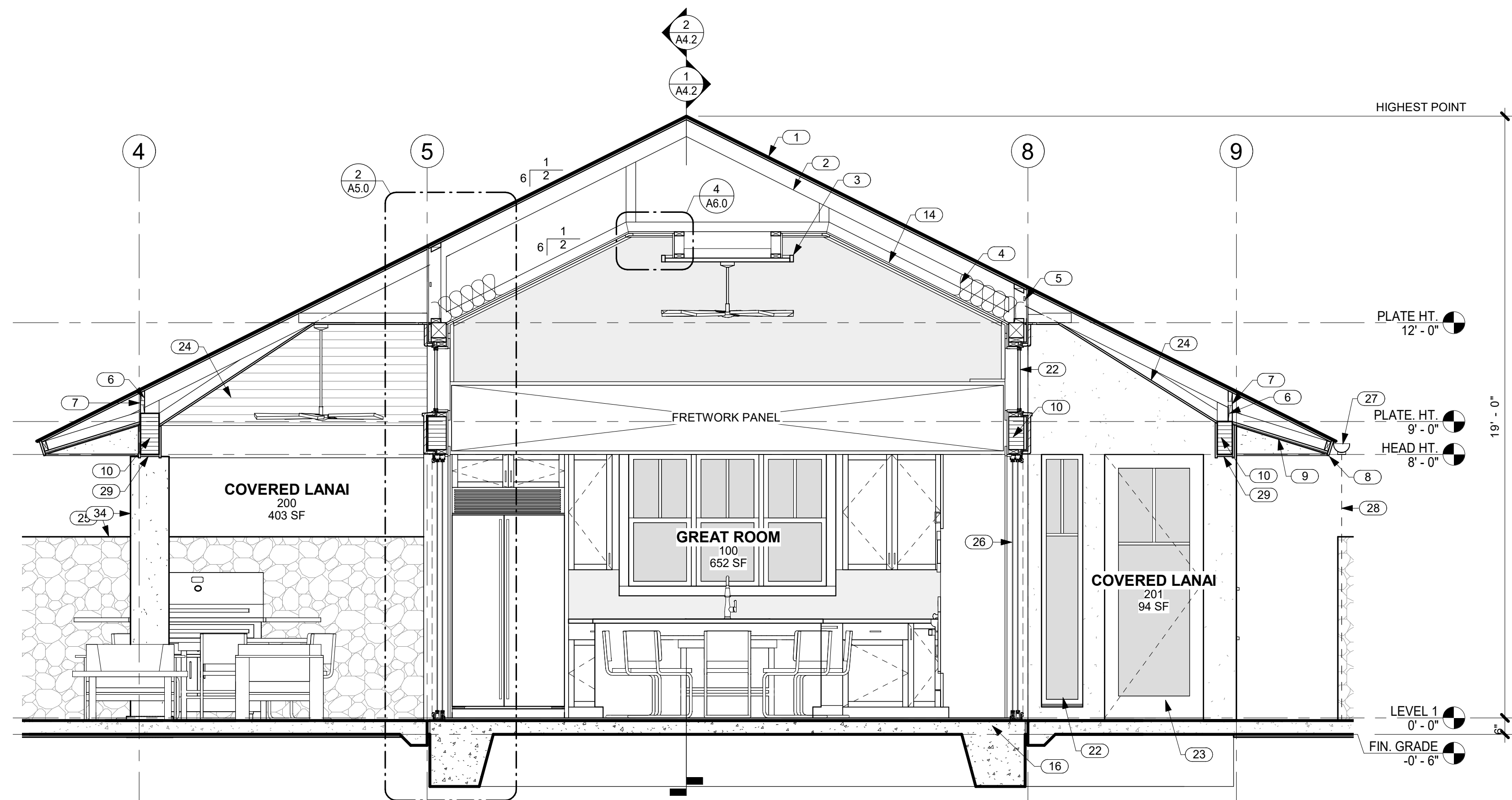
SCALE As indicated

SHEET

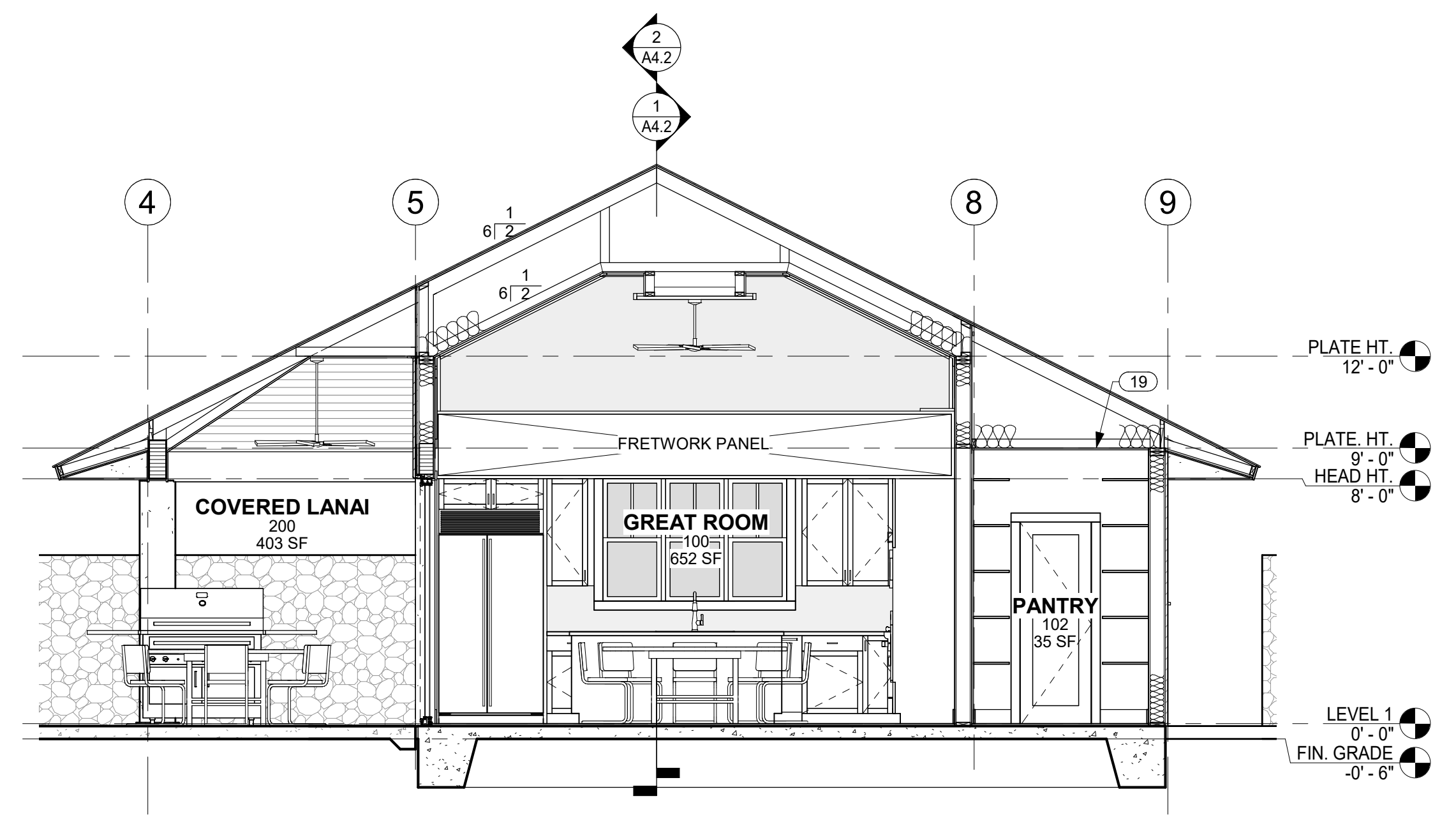
BUILDING SECTIONS

SHEET

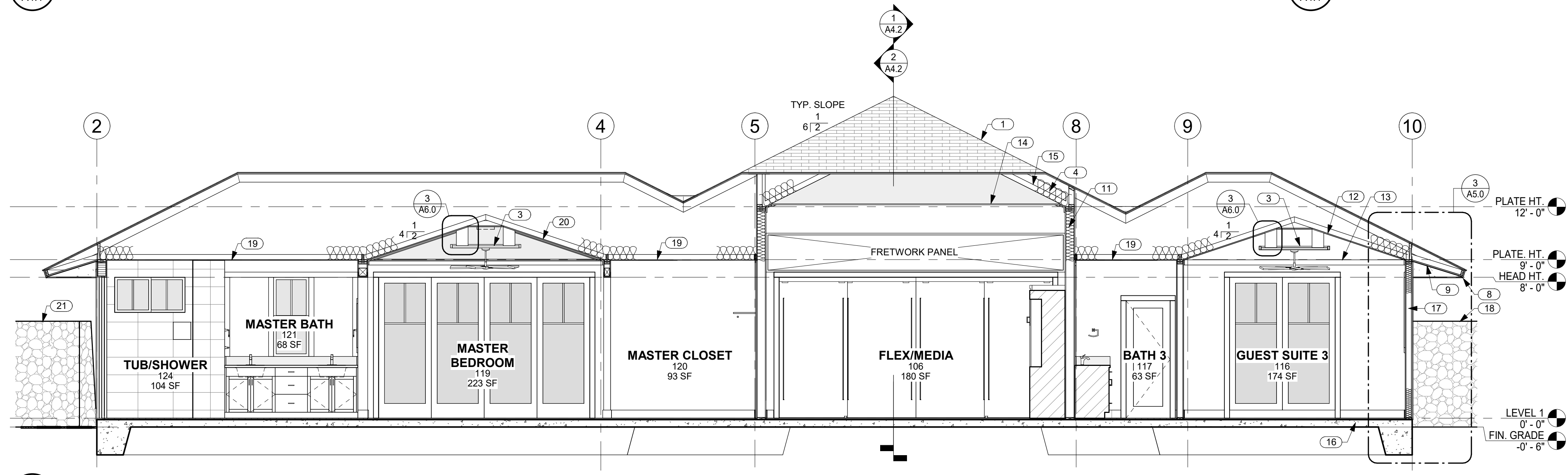
A4.1



1 SECTION THRU GREAT ROOM AND COVERED LANAIS LOOKING NORTH
 A4.1 SCALE: 3/8" = 1'-0"

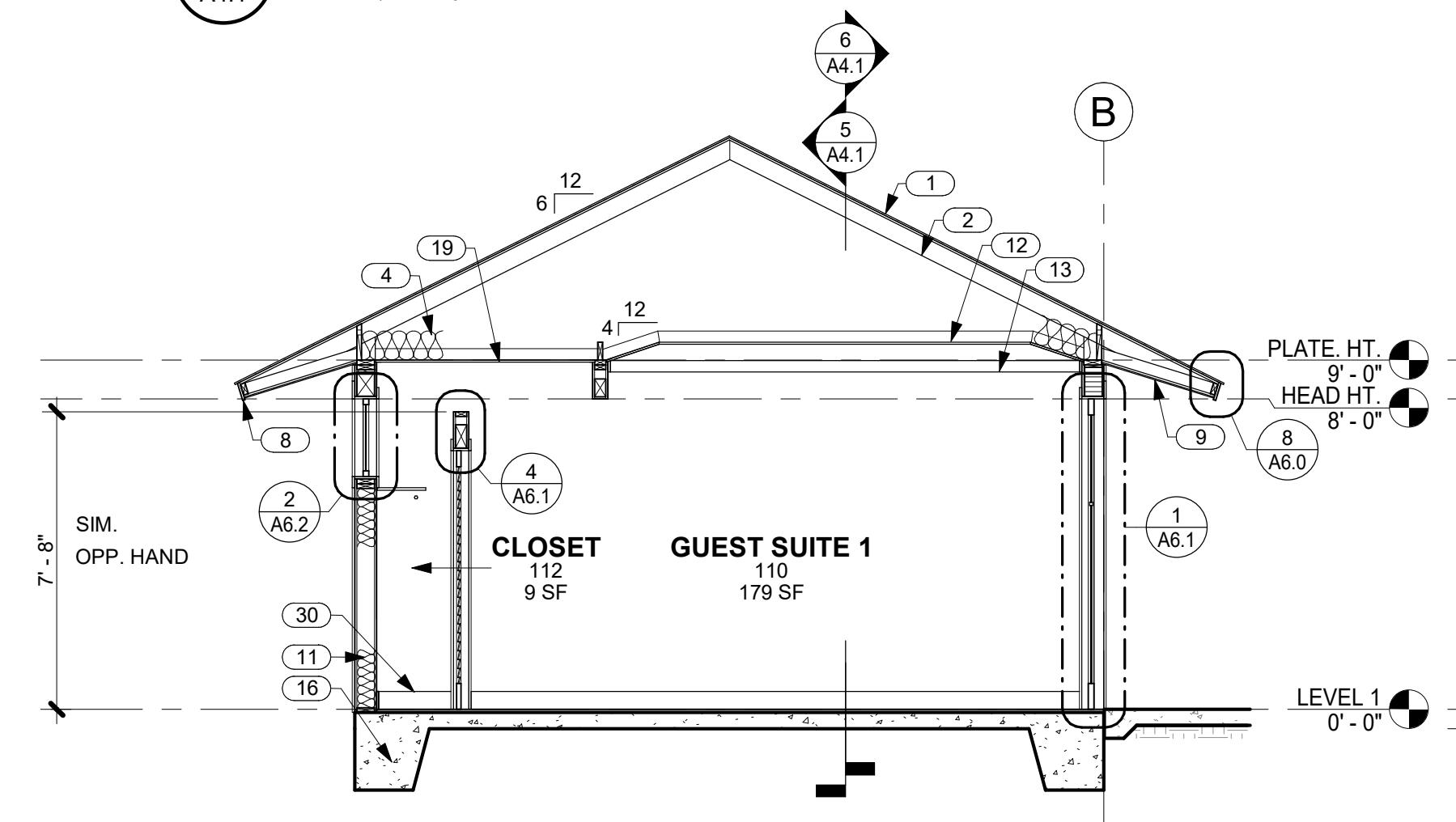


2 SECTION THRU GREAT ROOM, COVERED LANAI AND PANTRY LOOKING NORTH
 A4.1 SCALE: 1/4" = 1'-0"

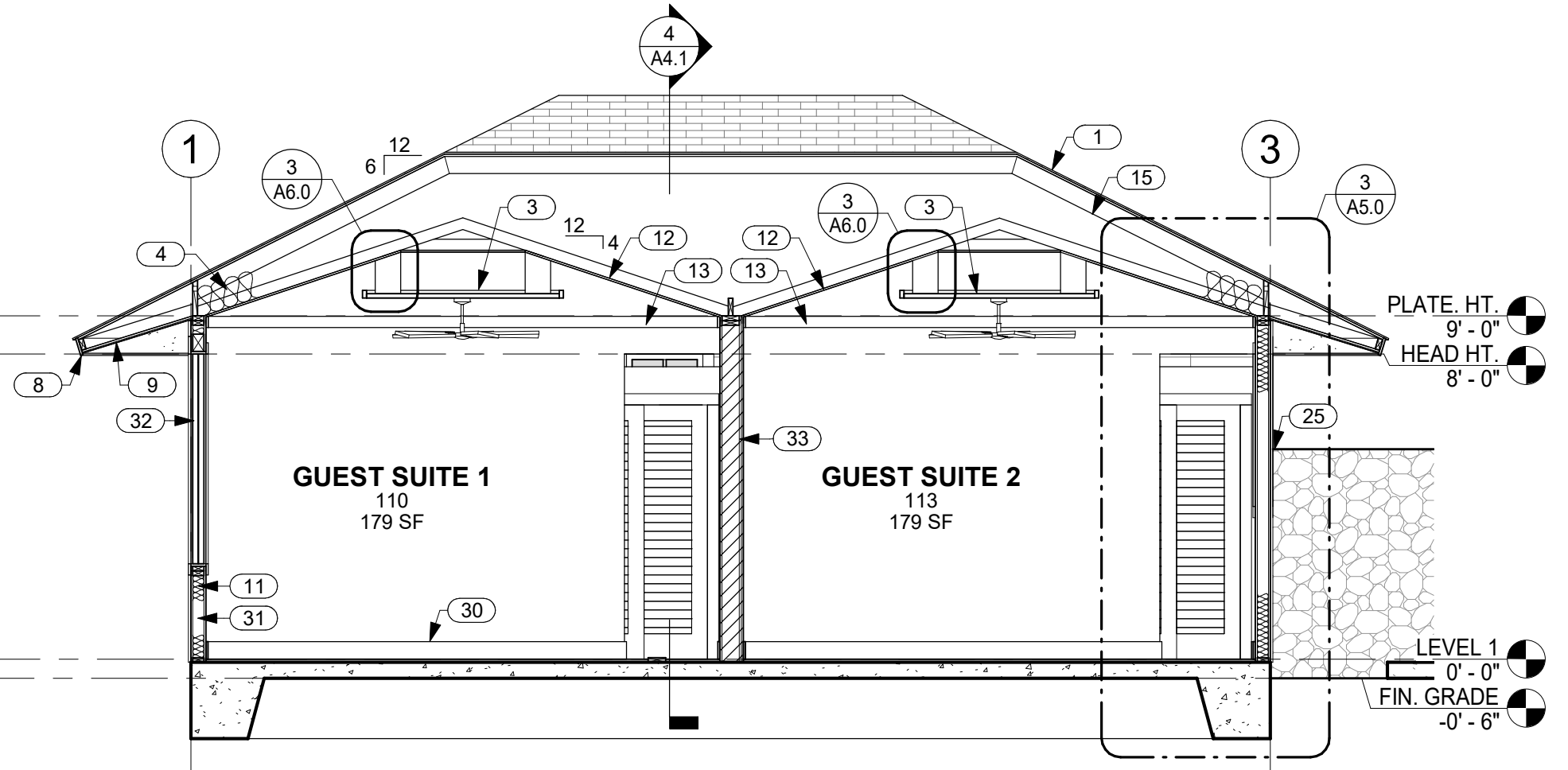


3 BUILDING SECTION LOOKING NORTH
 A4.1 SCALE: 1/4" = 1'-0"

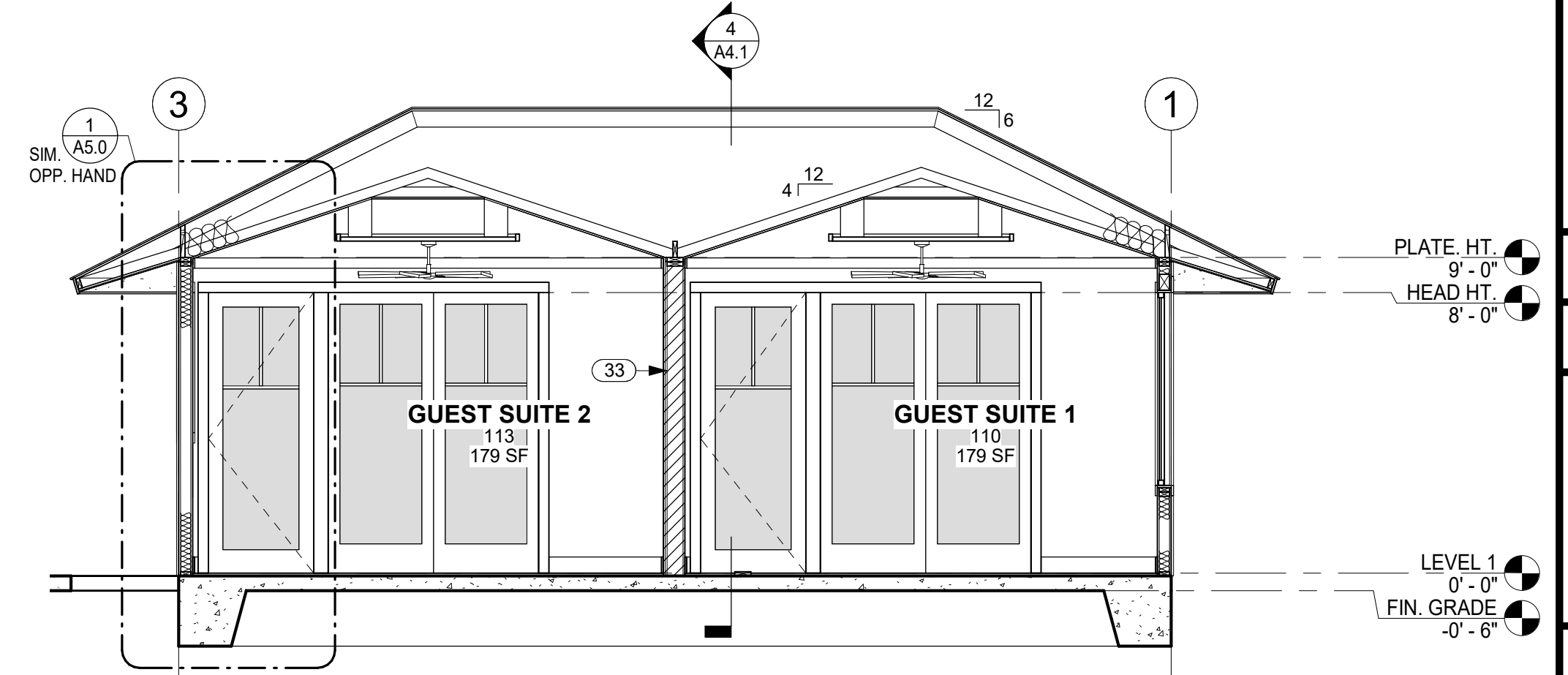
NO.	NOTE
1	SYNTHETIC POLYMER SHINGLE "SLATE" BY INSPIRE.
2	PREMANUFACTURED TRUSSES.
3	FRETWORK PANEL.
4	FACED BATT INSULATION R-30 @ CEILINGS TYP.
5	VENT HOLES IN SHEATHING.
6	BLOCKING BETWEEN TRUSSES.
7	VENT HOLES IN BLOCKING.
8	1 X T.K. W.R. CEDAR FASCIA W/ SEMI TRANSPARENT STAIN TYP.
9	EAVES: 3/8" STUCCO ON 5/8" DENSGLASS TYP.
10	BEAM SEE STRUCTURAL.
11	FACED BATT INSULATION R-19 @ WALLS TYP.
12	5/8" GYP. BD. VAULTED CEILING 4/12 SLOPE.
13	STAINED WOOD TRIM.
14	5/8" GYP. BD. VAULTED CEILING W/ GRASS CLOTH AND STAINED WOOD TRIM 6/12 SLOPE.
15	PREMANUFACTURED TRUSSES W/ 11" ENERGY HEELS.
16	CONCRETE SLAB AND FOOTING SEE STRUCTURAL.
17	2 X 6 FRAMING.
18	6'-0" HIGH FROM FINISH GRADE A/A LAVA ROCK WALL SCREENS FRONT OF RESIDENCE.
19	5/8" GYP. BD. CEILING @ 9'-0" A.F.F.
20	5/8" GYP. BD. VAULTED CEILING W/ GRASS CLOTH AND STAINED WOOD TRIM 4/12 SLOPE.
21	6'-0" HIGH FROM FINISH GRADE A/A LAVA ROCK WALL SCREENS SHOWER GARDEN.
22	ANODIZED ALUMINUM DOUBLE GLAZED WINDOWS W/ STUCCO SILLS AT STUCCO WINDOW OPENINGS.
23	ALUMINUM CLAD WOOD DOOR.
24	SOFFITS: 1 X 6 T&G CEDAR W/ CLEAR FINISH TYP.
25	6'-0" HIGH FROM FINISH GRADE A/A LAVA ROCK WALL SCREENS POOL AREA.
26	ANODIZED ALUMINUM SINGLE GLAZED SLIDING DOORS.
27	BAKED ENAMEL ALUMINUM 6" HALF ROUND GUTTER WITH CHAIN DRAIN.
28	CHAIN DRAIN.
29	EXTERIOR BEAM CLADDING 1 X T.K. CEDAR SEE EXTERIOR FINISH SCHEDULE FOR FINISH.
30	5/8" X 5 1/2" WOOD BASE.
31	2 X 4 FRAMING.
32	ANODIZED ALUMINUM DOUBLE GLAZED WINDOWS.
33	2 X 6 WALL WITH R.C. CHANNELS AND ROCKWOOL S.A.B.
34	WOOD FRAME CLAD IN STUCCO, 14" DIAMETER FINISHED EXTERIOR DIMENSION.



4 SECTION THRU GUEST SUITE 1 LOOKING EAST
 A4.1 SCALE: 1/4" = 1'-0"



5 SECTION THRU GUEST SUITES 1 AND 2 LOOKING NORTH
 A4.1 SCALE: 1/4" = 1'-0"

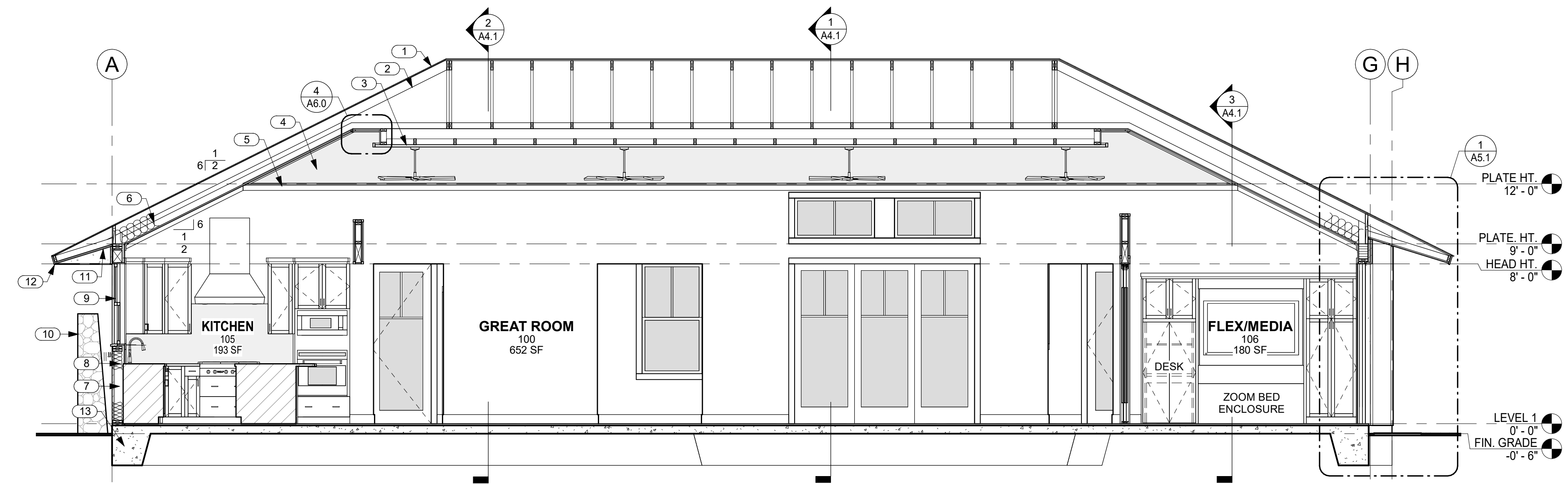


6 SECTION THRU GUEST SUITES 1 AND 2 LOOKING SOUTH
 A4.1 SCALE: 1/4" = 1'-0"



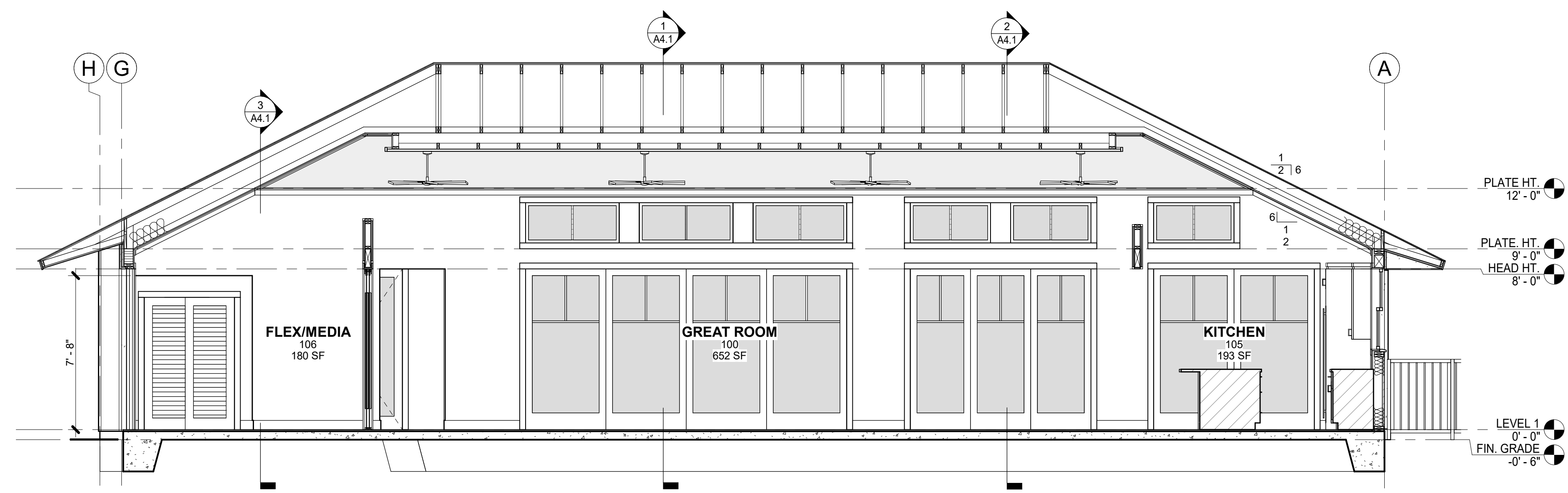
THIS WORK WAS PREPARED BY ME OR UNDER MY SUPERVISION. CONSTRUCTION OF THIS PROJECT WILL BE UNDER MY OBSERVATION.

SIGNATURE
EXPIRATION 4/30/22



1 SECTION THRU GREAT ROOM LOOKING EAST
SCALE: 1/4" = 1'-0"

NO.	NOTE
1	SYNTHETIC POLYMER SHINGLE "SLATE" BY INSPIRE.
2	PREMANUFACTURED TRUSSES.
3	FRETWORK PANEL.
4	5/8" GYP. BD. VAULTED CEILING W/ GRASS CLOTH AND STAINED WOOD TRIM 6/12 SLOPE.
5	STAINED WOOD TRIM.
6	FACED BATT INSULATION R-30 @ CEILINGS TYP.
7	2 X 6 FRAMING.
8	FACED BATT INSULATION R-19 @ WALLS TYP.
9	ANODIZED ALUMINUM DOUBLE GLAZED WINDOWS W/ STUCCO SILLS AT STUCCO WINDOW OPENINGS.
10	6'-0" HIGH FROM FINISH GRADE A'A LAVA ROCK WALL SCREENS POOL HEATER AND CONDENSER AREA.
11	EAVES: 3/8" STUCCO ON 5/8" DENSGLASS TYP.
12	1 X T.K. W.R. CEDAR FASCIA W/ SEMI TRANSPARENT STAIN TYP.
13	CONCRETE SLAB AND FOOTING SEE STRUCTURAL.



2 SECTION THRU GREAT ROOM LOOKING WEST
SCALE: 1/4" = 1'-0"

GENERAL CONTRACTOR:

REVISIONS	DESCRIPTION	DATE
1	ISSUED FOR CONSULTANTS	2/2/22
2	ISSUED FOR SUBMISSION	2/8/22
3	ISSUED FOR SUBMISSION	2/8/22
4	FINAL FOR SUBMISSION	2/8/22

SINGLE FAMILY RESIDENCE
LOT 24 NOHEA, PHASE 1
TMK: 3-6-8-043:024
 NOHEA AT MAUNA LANI, LLC
 101 HODENCAMP RD. SUITE 200
 THOUSAND OAKS, CA 91360
 PH: 805-494-7704 FAX: 805-494-1226

CRAIG MONAGHAN, ARCHITECT
 4522 LOWER DR. LAKE OSWEGO, OR 97035
 PH: 503-522-9000
 monaghan.craig@gmail.com

DATE 02/08/22

SCALE 1/4" = 1'-0"

SHEET

BUILDING SECTIONS

SHEET

A4.2



THIS WORK WAS PREPARED BY ME OR UNDER MY SUPERVISION. CONSTRUCTION OF THIS PROJECT WILL BE UNDER MY OBSERVATION.

SIGNATURE
EXPIRATION 4/30/22

GENERAL CONTRACTOR:

REVISIONS	NO.	DESCRIPTION	DATE
	1	GENERAL CONSULTANTS	2/2/22
	4	FINAL DR SUBMISSION	2/28/22

SINGLE FAMILY RESIDENCE
LOT 24 NOHEA, PHASE 1
TMK: 3-6-8-043:024
 NOHEA AT MAUNA LANI, LLC
 101 HODENCAMP RD. SUITE 200
 THOUSAND OAKS, CA 91360
 PH: 805-494-7704 FAX: 805-494-1226

CRAIG MONAGHAN, ARCHITECT
 4522 LOWER DR. LAKE OSWEGO, OR 97035
 PH: 503-522-9000
 monaghan.craig@gmail.com

DATE 02/08/22

SCALE 1" = 1'-0"

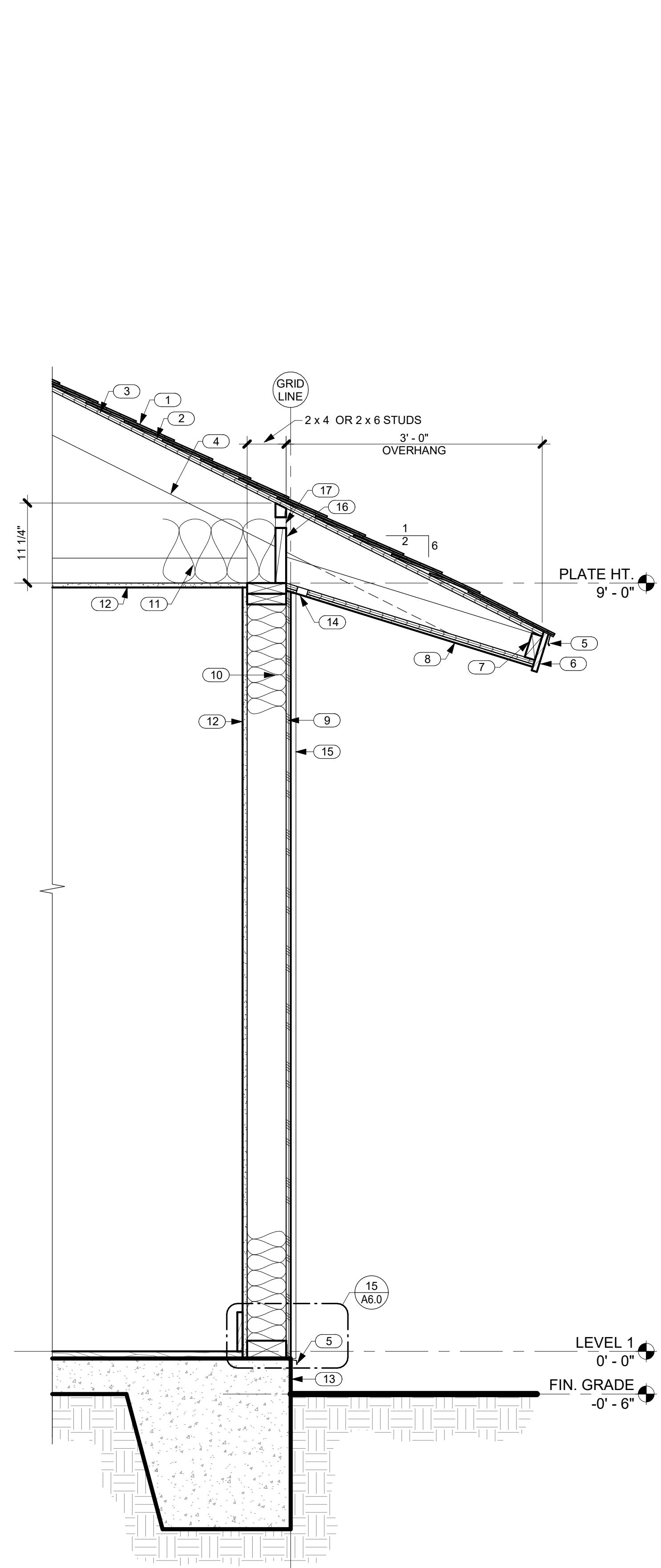
SHEET

WALL SECTIONS

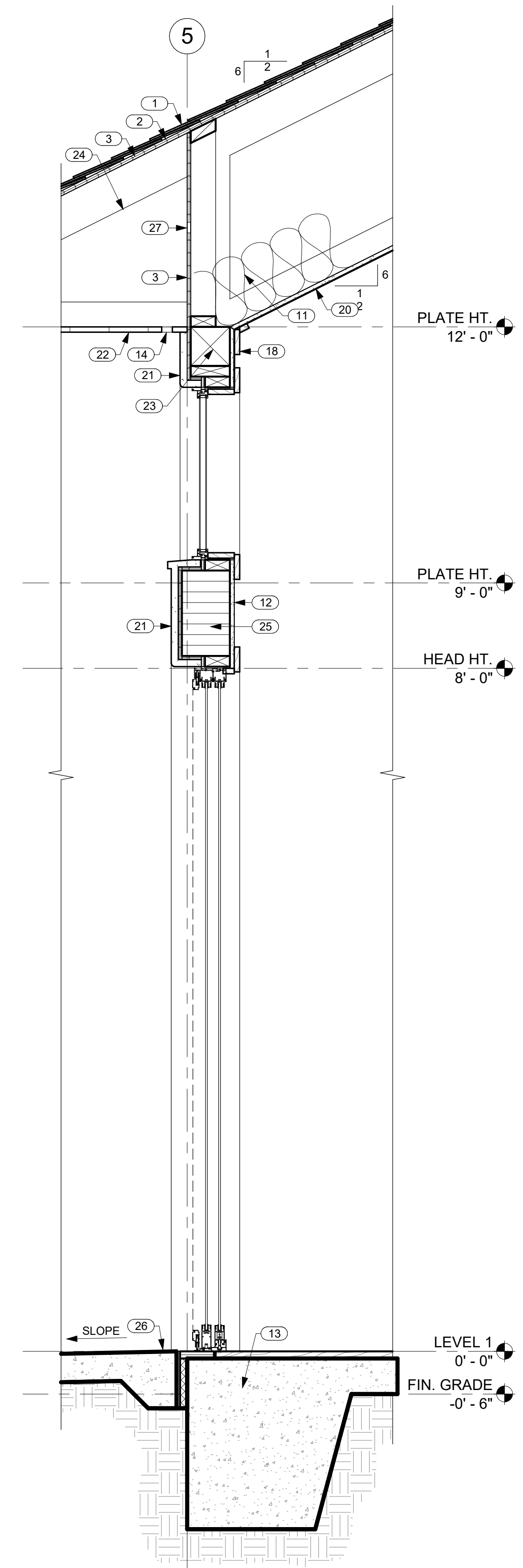
SHEET

A5.0

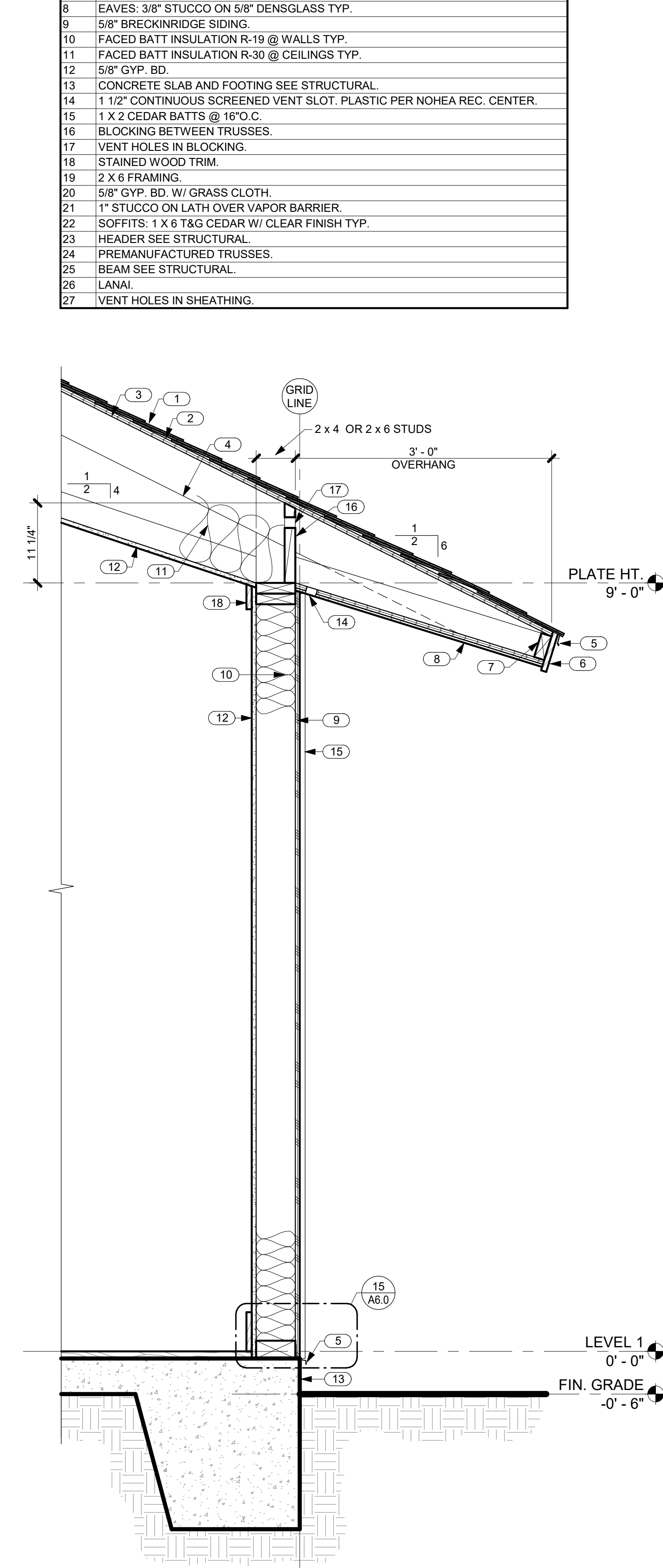
NO.	NOTE
1	SYNTHETIC POLYMER SHINGLE "SLATE" BY INSPIRE.
2	MEMBRANE, 40 MIL. HIGH TEMPERATURE PEEL AND STICK.
3	SHEATHING SEE STRUCTURAL.
4	PREMANUFACTURED TRUSSES W/ 11" ENERGY HEELS.
5	DRIP EDGE.
6	1 X T.K.W.R. CEDAR FASCIA W/ SEMI TRANSPARENT STAIN TYP.
7	2 X 4 SUB FASCIA.
8	EAVES: 3/8" STUCCO ON 5/8" DENSGLASS TYP.
9	5/8" BRECKINRIDGE SIDING.
10	FACED BATT INSULATION R-19 @ WALLS TYP.
11	FACED BATT INSULATION R-30 @ CEILINGS TYP.
12	5/8" GYP. BD.
13	CONCRETE SLAB AND FOOTING SEE STRUCTURAL.
14	1 1/2" CONTINUOUS SCREENED VENT SLOT. PLASTIC PER NOHEA REC. CENTER.
15	1 X 2 CEDAR BATTS @ 16" O.C.
16	BLOCKING BETWEEN TRUSSES.
17	VENT HOLES IN BLOCKING.
18	STAINED WOOD TRIM.
19	2 X 6 FRAMING.
20	5/8" GYP. BD. W/ GRASS CLOTH.
21	1" STUCCO ON LATH OVER VAPOR BARRIER.
22	SOFFITS: 1 X 6 T&G CEDAR W/ CLEAR FINISH TYP.
23	HEADER SEE STRUCTURAL.
24	PREMANUFACTURED TRUSSES.
25	BEAM SEE STRUCTURAL.
26	LANAI.
27	VENT HOLES IN SHEATHING.



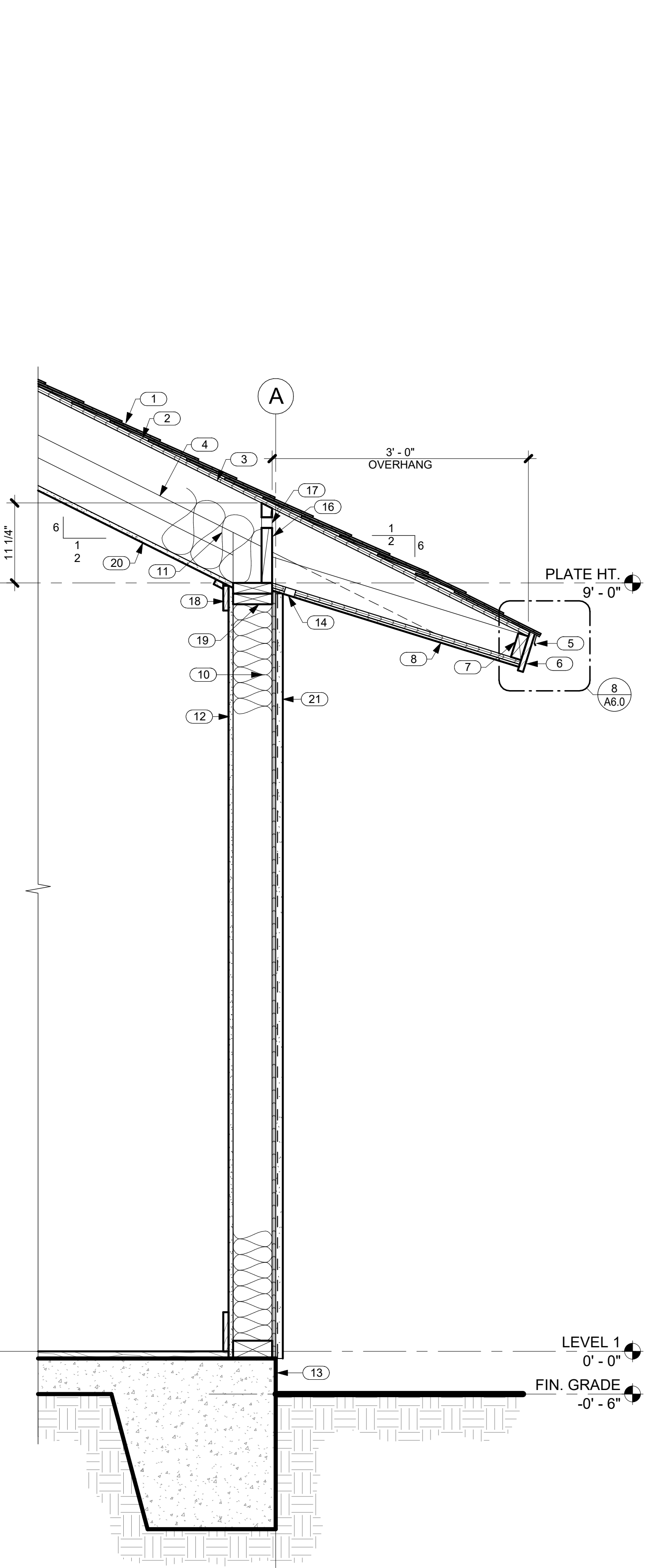
1 TYP. WALL SECTION @ SIDING W/ FLAT CEILING
A5.0 SCALE: 1" = 1'-0"



2 SECTION THRU WEST WALL OF GREAT ROOM LOOKING NORTH
A5.0 SCALE: 1" = 1'-0"



3 TYP. WALL SECTION @ GUEST SUITE BEDROOMS
A5.0 SCALE: 1" = 1'-0"



4 SECTION THRU NORTH WALL OF GREAT ROOM LOOKING WEST
A5.0 SCALE: 1" = 1'-0"



THIS WORK WAS PREPARED BY ME OR UNDER MY SUPERVISION. CONSTRUCTION OF THIS PROJECT WILL BE UNDER MY OBSERVATION.

SIGNATURE
EXPIRATION 4/30/22

GENERAL CONTRACTOR:

REVISIONS NO.	DESCRIPTION	DATE
1	ISSUE FOR CONSULTANTS	2/2/22
2	FINAL DR SUBMISSION	2/8/22

**SINGLE FAMILY RESIDENCE
LOT 24 NOHEA, PHASE 1**
TMK: 3-6-8-043:024
 NOHEA AT MAUNA LANI, LLC
 101 HODENCAMP RD. SUITE 200
 THOUSAND OAKS, CA 91360
 PH: 805-494-7704 FAX: 805-494-1226

CRAIG MONAGHAN, ARCHITECT
 4522 LOWER DR. LAKE OSWEGO, OR 97035
 PH: 503-522-9000
 monaghan.craig@gmail.com

DATE 02/08/22

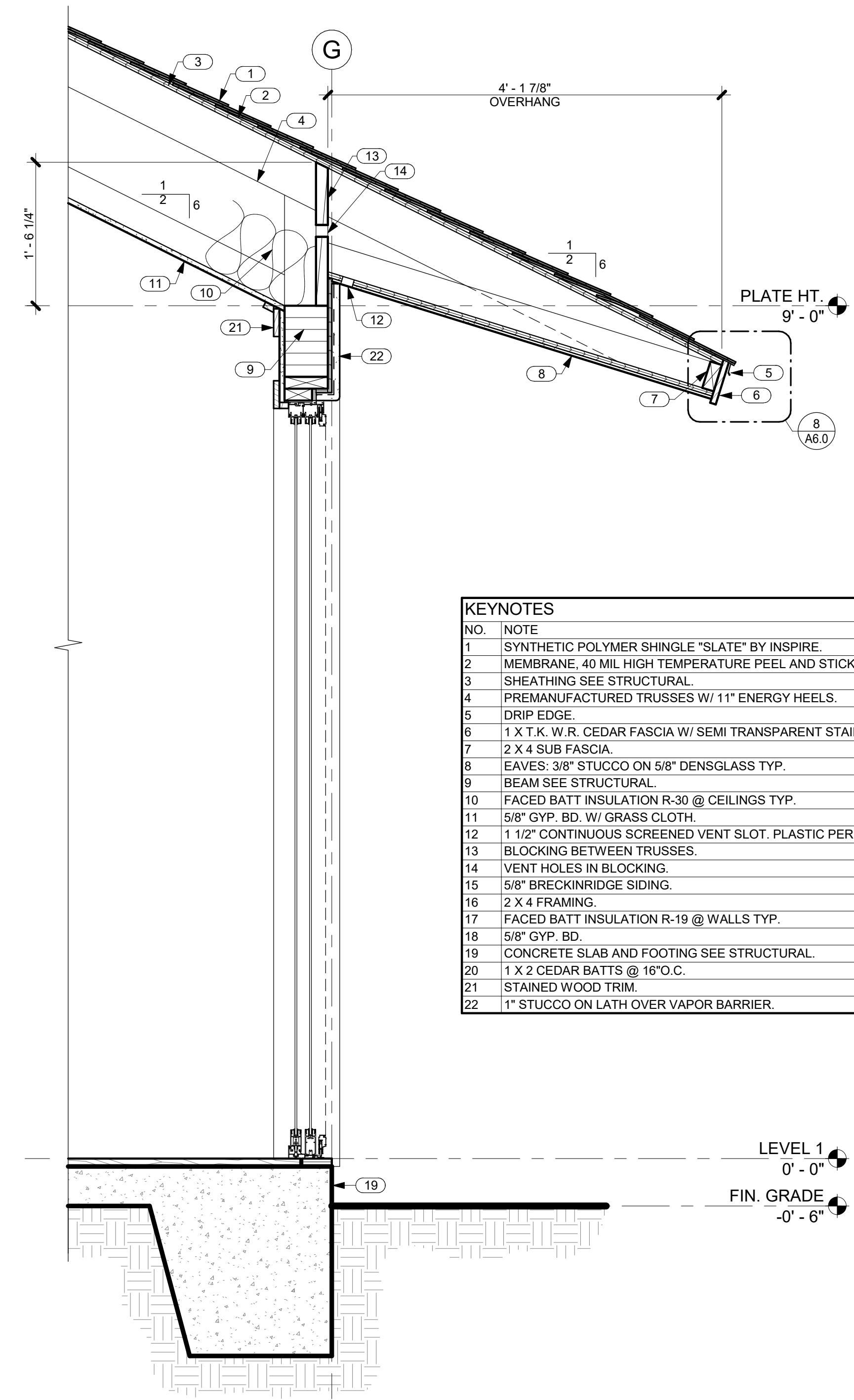
SCALE 1" = 1'-0"

SHEET

WALL SECTIONS

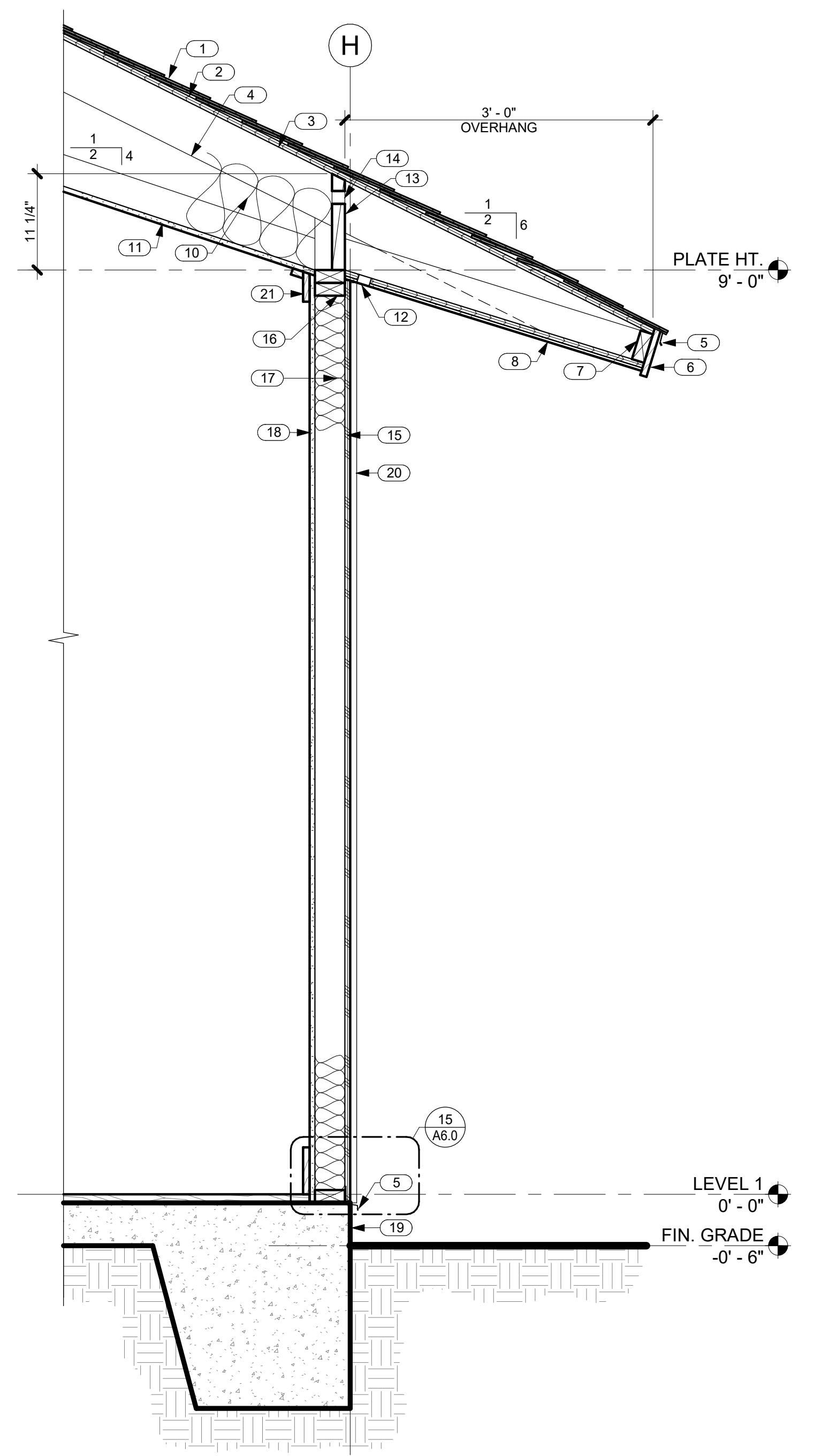
SHEET

A5.1



1 SECTION THRU SOUTH WALL OF GREAT ROOM LOOKING EAST
 A5.1 SCALE: 1" = 1'-0"

NO.	NOTE
1	SYNTHETIC POLYMER SHINGLE "SLATE" BY INSPIRE.
2	MEMBRANE, 40 MIL HIGH TEMPERATURE PEEL AND STICK.
3	SHEATHING SEE STRUCTURAL.
4	PREMANUFACTURED TRUSSES W/ 11" ENERGY HEELS.
5	DRIP EDGE.
6	1 X 1 T.K. W.R. CEDAR FASCIA W/ SEMI TRANSPARENT STAIN TYP.
7	2 X 4 SUB FASCIA.
8	EAVES: 3/8" STUCCO ON 5/8" DENSGLOSS TYP.
9	BEAM SEE STRUCTURAL.
10	FACED BATT INSULATION R-30 @ CEILINGS TYP.
11	5/8" GYP. BD. W/ GRASS CLOTH.
12	1 1/2" CONTINUOUS SCREENED VENT SLOT. PLASTIC PER NOHEA REC. CENTER.
13	BLOCKING BETWEEN TRUSSES.
14	VENT HOLES IN BLOCKING.
15	5/8" BRECKINRIDGE SIDING.
16	2 X 4 FRAMING.
17	FACED BATT INSULATION R-19 @ WALLS TYP.
18	5/8" GYP. BD.
19	CONCRETE SLAB AND FOOTING SEE STRUCTURAL.
20	1 X 2 CEDAR BATTS @ 16" O.C.
21	STAINED WOOD TRIM.
22	1" STUCCO ON LATH OVER VAPOR BARRIER.



2 SECTION THRU SOUTH WALL OF MASTER BEDROOM LOOKING EAST
 A5.1 SCALE: 1" = 1'-0"

REVISIONS	NO.	DESCRIPTION	DATE
	1	ISSUED FOR CONSULTANTS	2/2/22
	2	FINAL DR SUBMISSION	2/8/22

SINGLE FAMILY RESIDENCE
LOT 24 NOHEA, PHASE 1
TMK: 3-6-8-043:024
 NOHEA AT MAUNA LANI, LLC
 101 HODENCAMP RD. SUITE 200
 THOUSAND OAKS, CA 91360
 PH: 805-494-7704 FAX: 805-494-1226

CRAIG MONAGHAN, ARCHITECT
 4522 LOWER DR. LAKE OSWEGO, OR 97035
 PH: 503-522-9000
 monaghan.craig@gmail.com

DATE 02/08/22

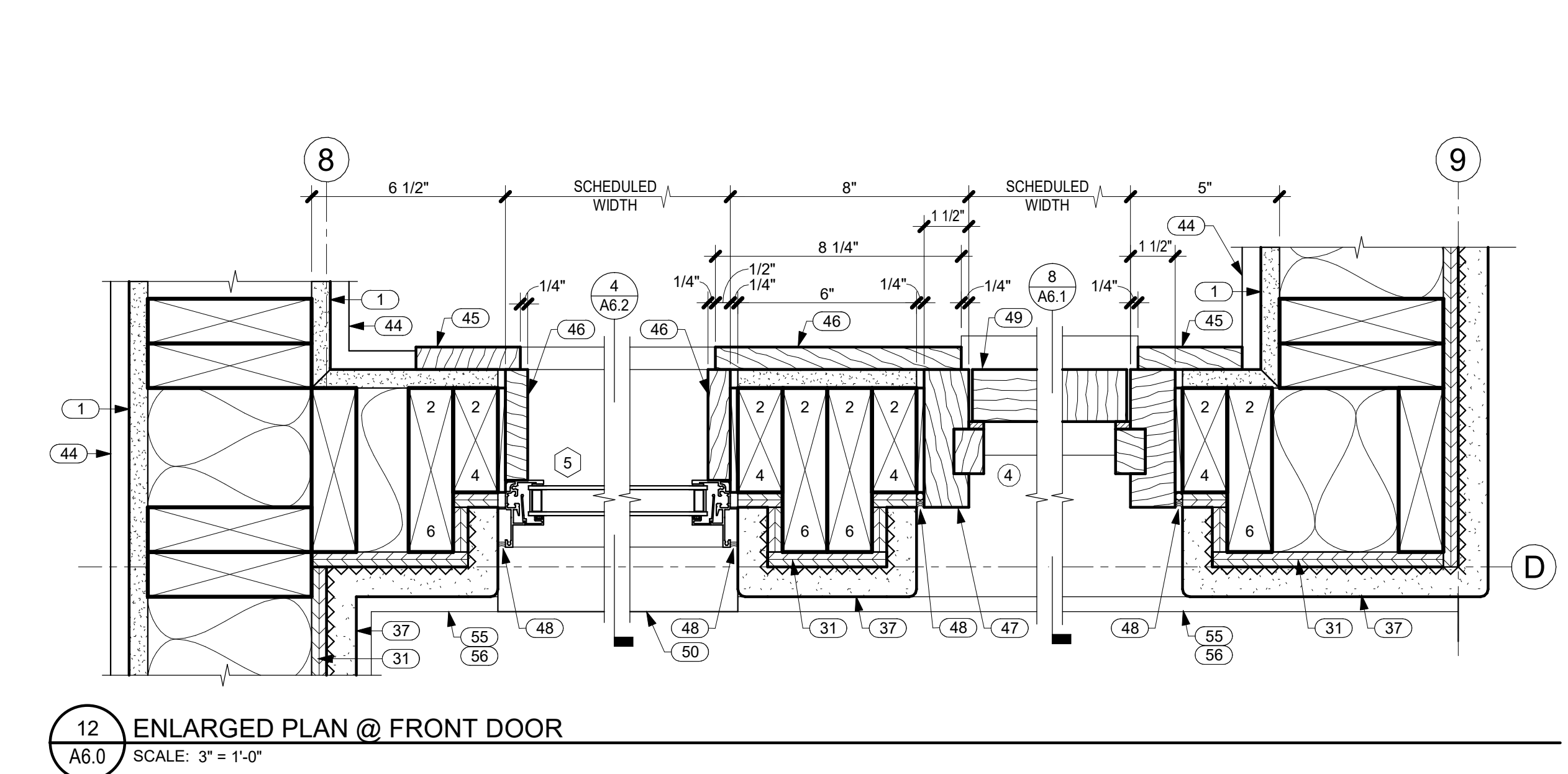
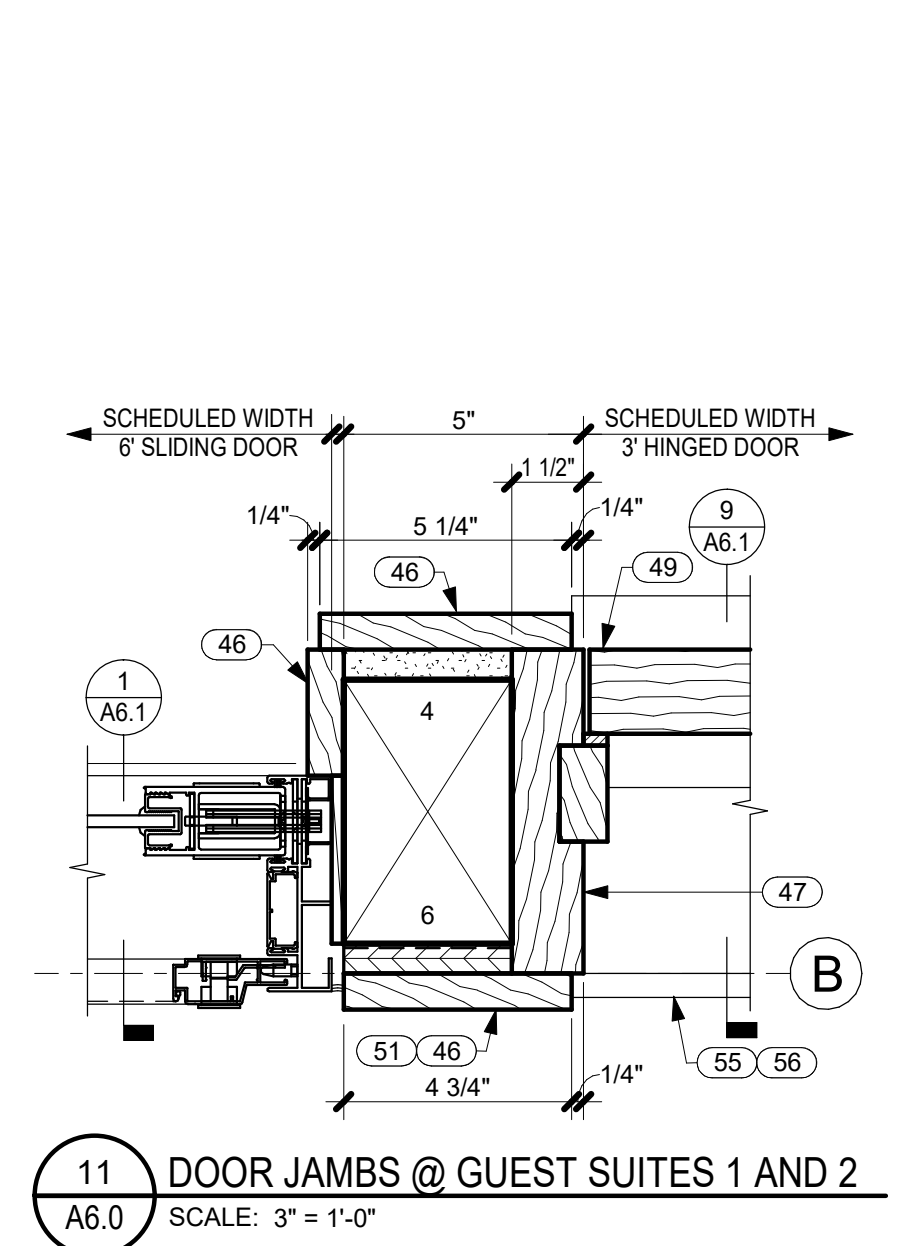
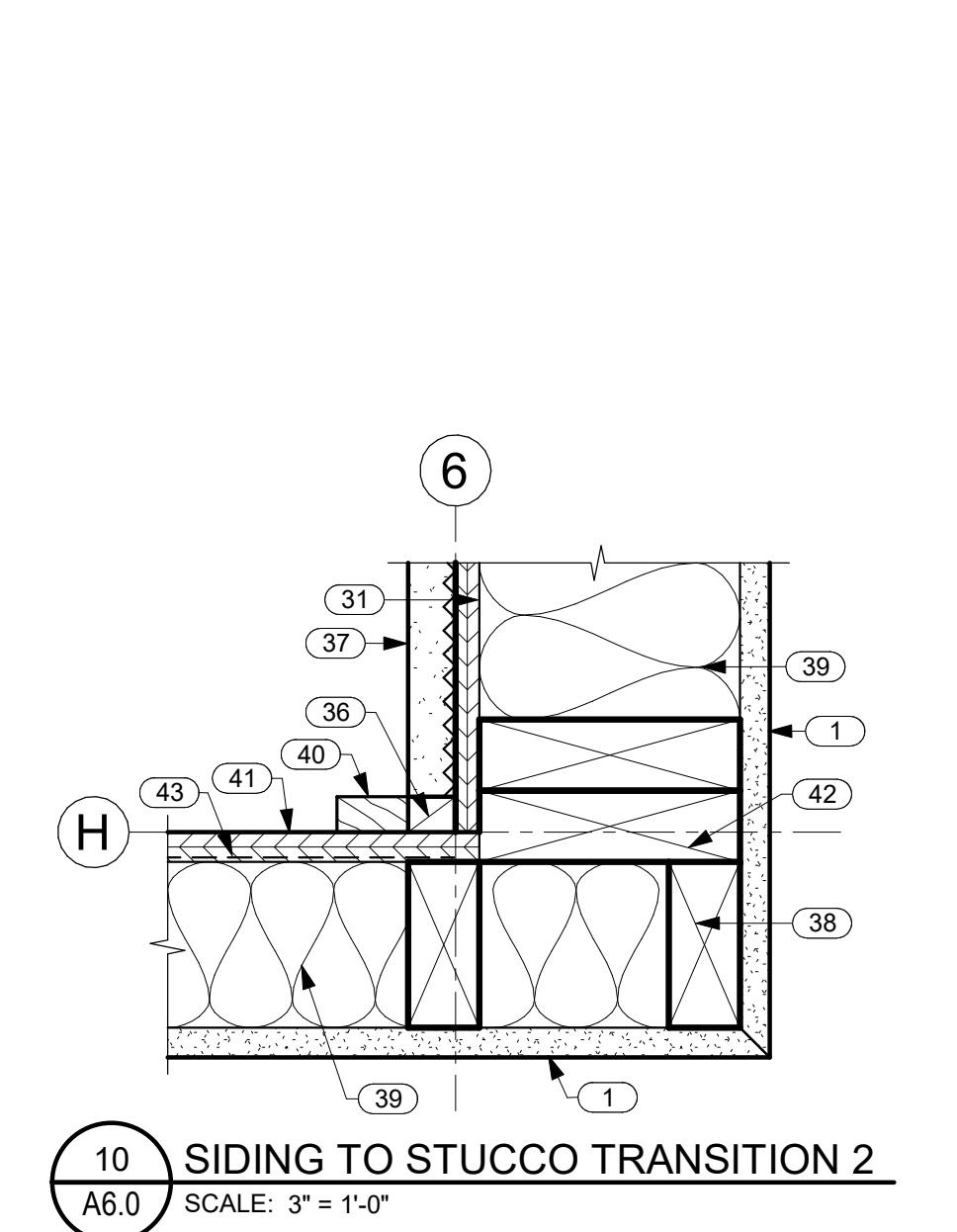
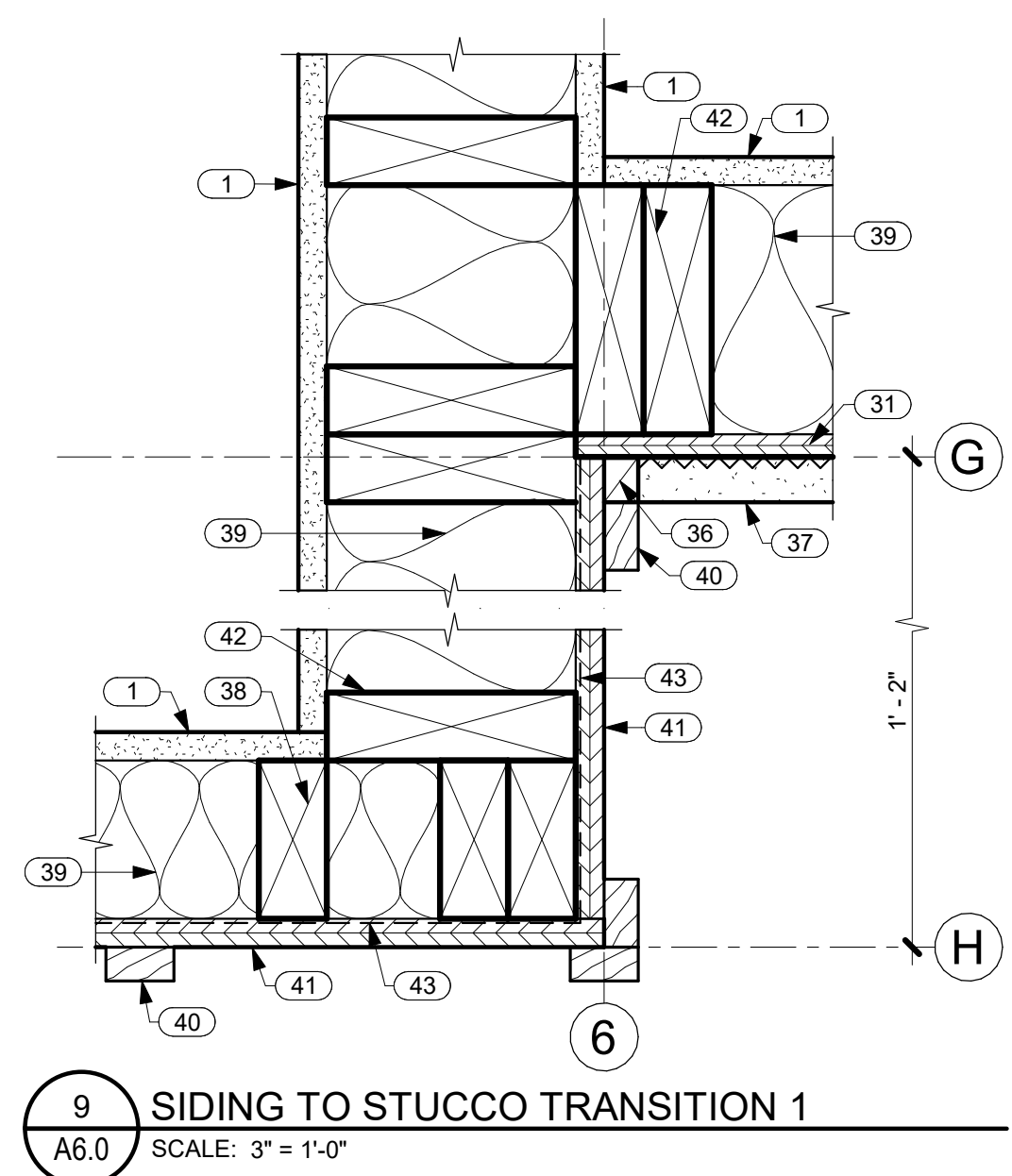
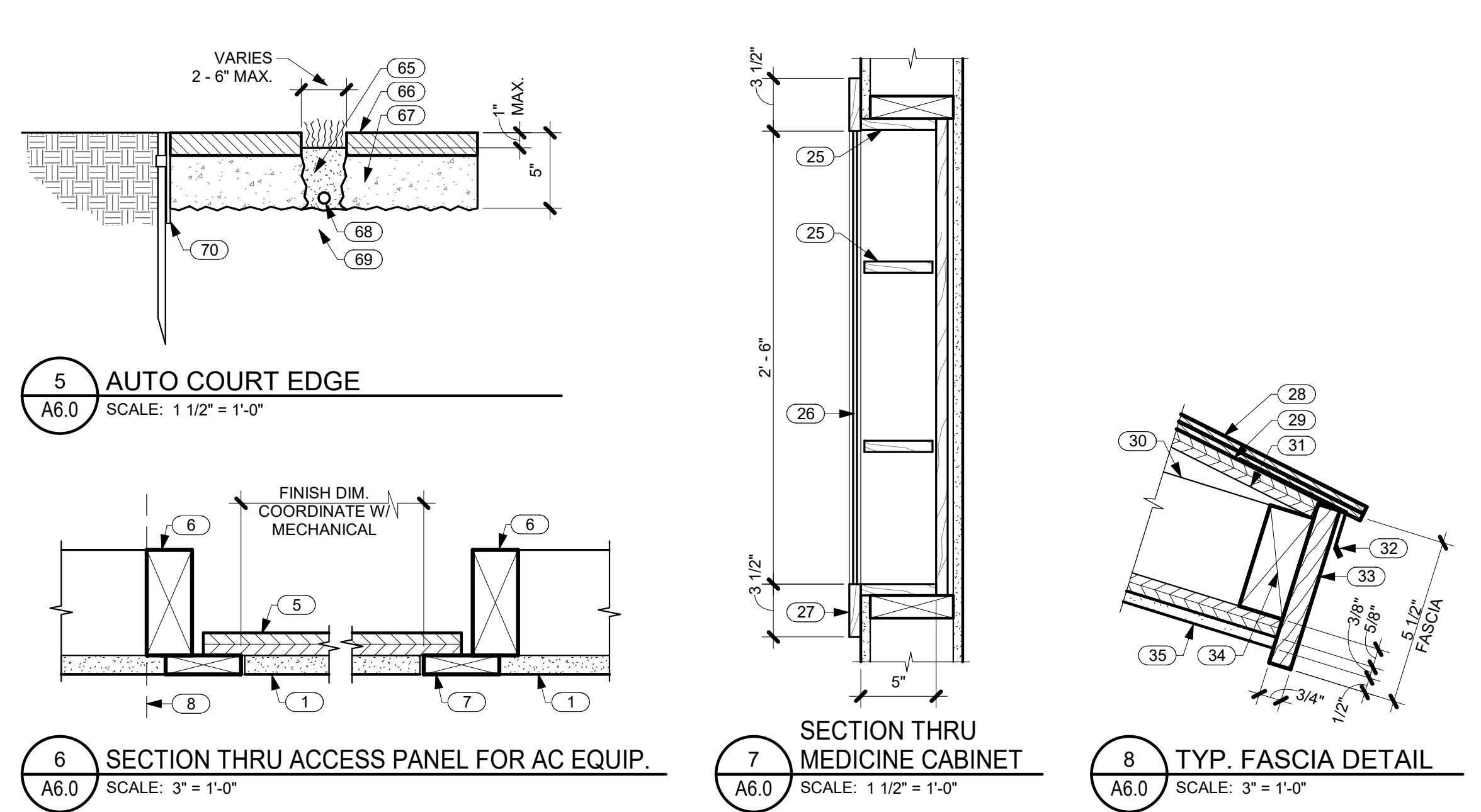
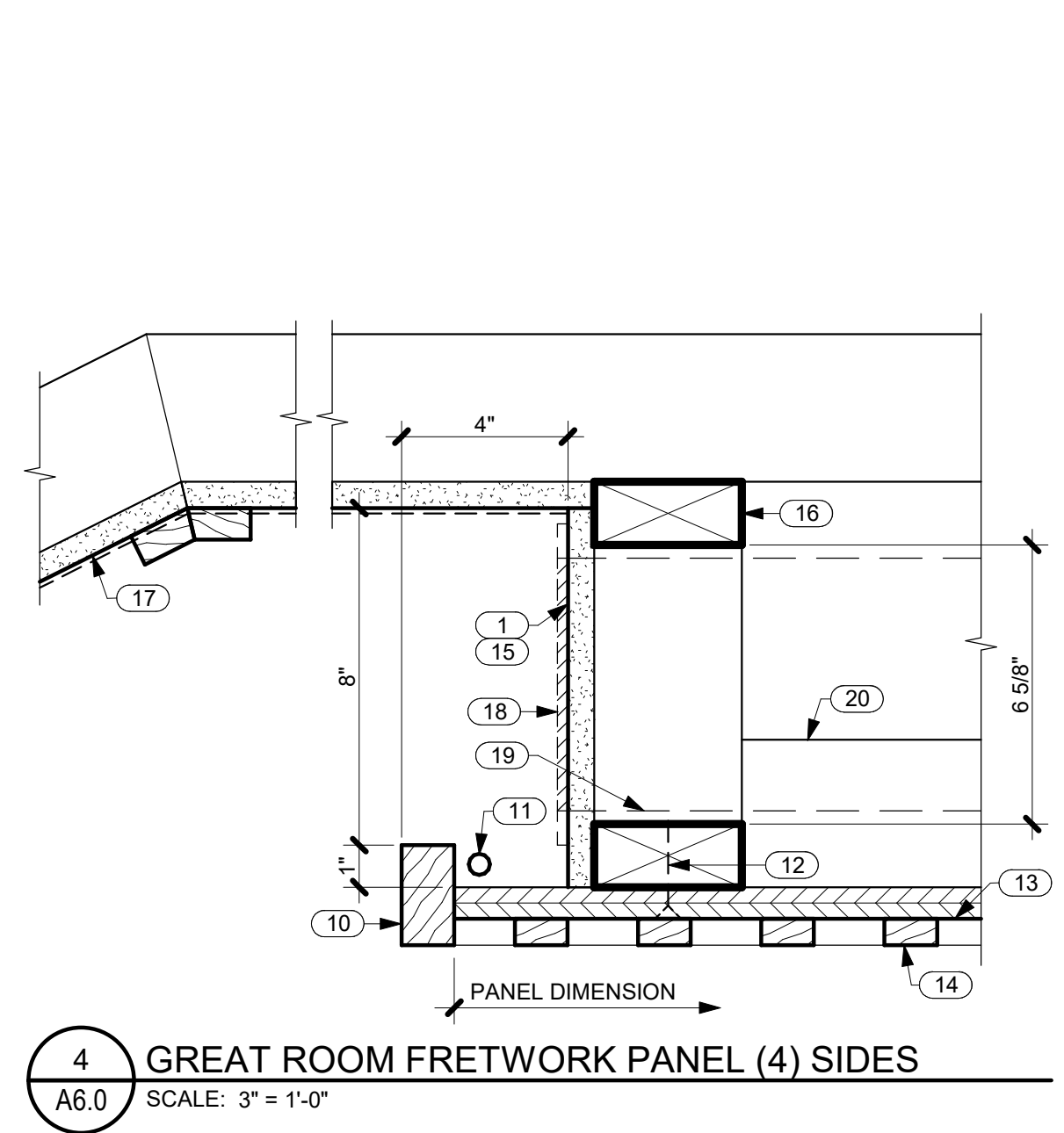
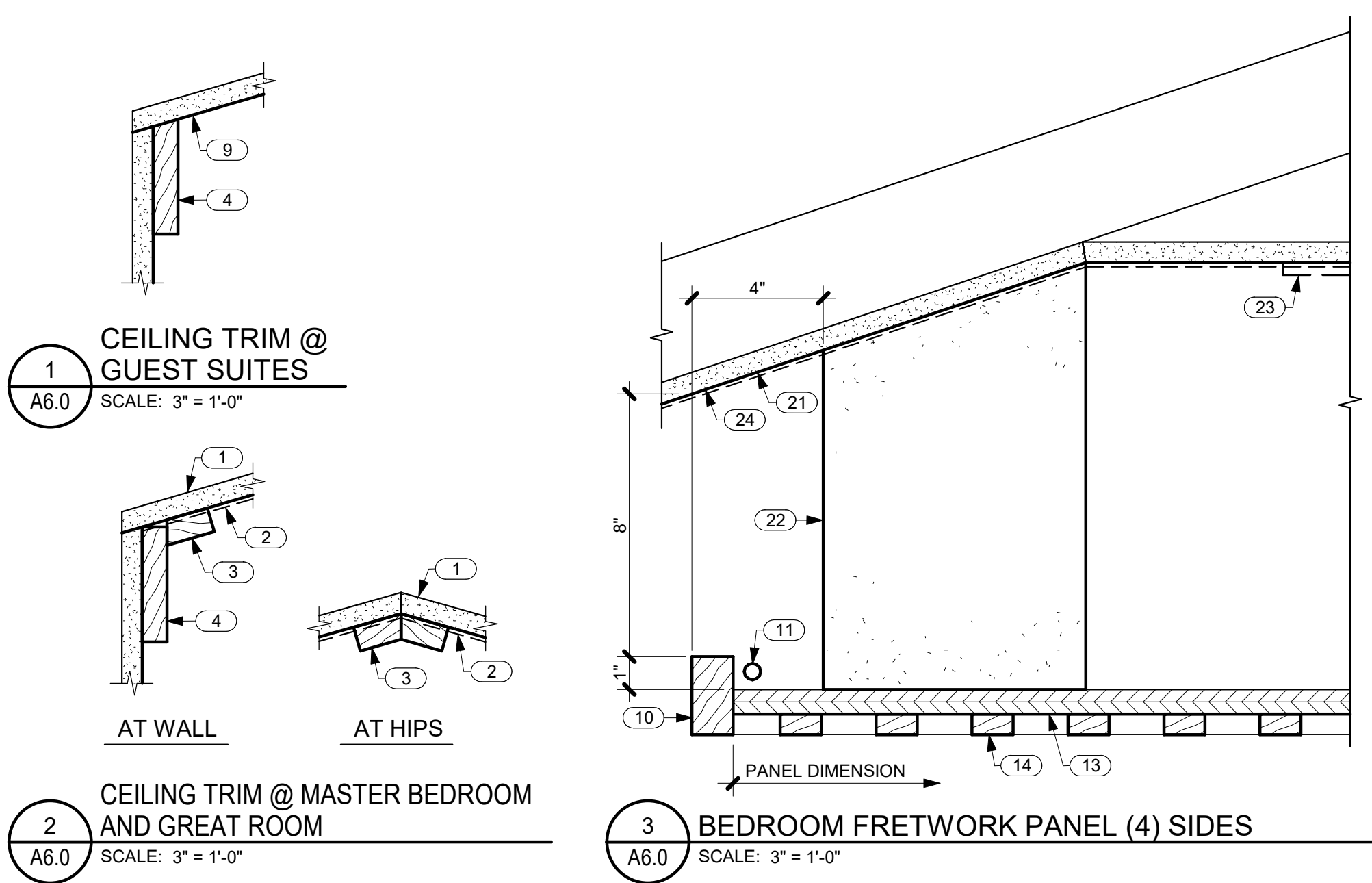
SCALE As indicated

SHEET

DETAILS

SHEET

A6.0



KEYNOTES

NO.	NOTE
1	5/8" GYP. BD.
2	GRASS CLOTH.
3	3/4" X 1 1/2" TRIM.
4	3/4" X 3 1/2" TRIM.
5	3/4" PLYWOOD.
6	FRAMING.
7	5/8" THICK WOOD STRIPS W/ TAPED JOINTS @ GYP. BD. / WOOD STRIP TRANSITION.
8	FACE OF WALL IN (2) LOCATIONS @ GUEST SUITE 1.
9	5/8" GYP. BD. VAULTED CEILING 4/12 SLOPE.
10	5/4 MAHOGANY EDGE TRIM, LIGHTER STAIN.
11	LED.
12	DARK BROWN SCREWS.
13	3/4" MAHOGANY PLYWD., DARKER STAIN.
14	5/8" FRETWORK PANEL, LIGHTER STAIN.
15	PAINT DARK.
16	CONTINUOUS FURRING (4) SIDES.
17	5/8" GYP. BD. VAULTED CEILING W/ GRASS CLOTH AND STAINED WOOD TRIM 6/12 SLOPE.
18	AC GRILLE W/ 45 DEGREE DEFLECTION.
19	6" AC DUCT.
20	2 X 4 STIFFENERS.
21	5/8" GYP. BD. VAULTED CEILING W/ GRASS CLOTH AND STAINED WOOD TRIM 4/12 SLOPE @ MASTER BEDROOM.
22	8" X 8" FURRING @ EACH CORNER, WRAP IN GYP. BD. PAINT DARK.
23	4 WAY AC GRILLE.
24	5/8" GYP. BD. VAULTED CEILING 4/12 SLOPE @ GUEST SUITES.
25	CABINET BODY AND SHELVES MATCH CABINETS.
26	MIRROR.
27	WOOD FRAME MATCH CABINETS.
28	SYNTHETIC POLYMER SHINGLE "SLATE" BY INSPIRE.
29	MEMBRANE, 40 MIL. HIGH TEMPERATURE PEEL AND STICK.
30	PREMANUFACTURED TRUSSES W/ 11" ENERGY HEELS.
31	SHEATHING SEE STRUCTURAL.
32	DRIP EDGE.
33	1 X T.K. W.R. CEDAR FASCIA W/ SEMI TRANSPARENT STAIN TYP.
34	2 X 4 SUB FASCIA.
35	EAVES: 3/8" STUCCO ON 5/8" DENSGLASS TYP.
36	CEDAR TRIM.

KEYNOTES

NO.	NOTE
37	1" STUCCO ON LATH OVER VAPOR BARRIER.
38	2 X 4 FRAMING.
39	FACED BATT INSULATION R-19 @ WALLS TYP.
40	1 X 2 CEDAR BATTS @ 16" O.C.
41	5/8" BRECKINRIDGE SIDING.
42	2 X 6 FRAMING.
43	VAPOR BARRIER SEAL TO FLANGES AND FLASHINGS WITH PEEL AND STICK MEMBRANE.
44	5/8" X 5 1/2" WOOD BASE.
45	1 X 4.
46	1 X TRIM.
47	DOOR FRAME.
48	SEALANT.
49	DOOR.
50	STUCCO SILL.
51	TRIM BETWEEN HINGED DOOR AND SLIDER STAINED TO MATCH DOORS @ GUEST SUITES 1 AND 2.
52	5/8" X 5 1/2" WOOD BASE @ WOOD FLOOR.
53	TILE OR WOOD FLOORING.
54	CONCRETE SLAB AND FOOTING SEE STRUCTURAL.
55	EXPANSION JOINT.
56	SEALANT AND B.U.R. HOLD DOWN 1/2".
57	RIGID INSULATION (CLOSED CELL) SPACER.
58	WATERPROOFING.
59	WOOD FLOORING.
60	5/8" X 5 1/2" WOOD BASE AT CONDITIONED AREA.
61	WOOD FLOORING AT CONDITIONED AREA.
62	FACED BATT INSULATION R-19 AT WALLS AT CONDITIONED AREA TYP.
63	FILL WITH DRAINING PEA GRAVEL.
64	WALK OR LANAI.
65	1/3 MIX TOPSOIL.
66	1 1/2" SAWN BASALT.
67	3 1/2" "STIFF" MORTAR BASE.
68	DRIP EMITTER TUBING IF DRIP IRRIGATED.
69	C.A.B.
70	1/4" X 6" RYERSON STEEL EDGING W/ STAKES.
71	1 X TRIM SEE TYP. DOOR ELEVATIONS THIS SHEET.
72	CONCRETE BEYOND AT THRESHOLD.



THIS WORK WAS PREPARED BY ME OR UNDER MY SUPERVISION. CONSTRUCTION OF THIS PROJECT WILL BE UNDER MY OBSERVATION.

SIGNATURE
EXPIRATION 4/30/22

GENERAL CONTRACTOR:

REVISIONS NO.	DESCRIPTION	DATE
1	ISSUE FOR CONSULTANTS	2/2/22
2	FINAL DR SUBMISSION	2/28/22

SINGLE FAMILY RESIDENCE
LOT 24 NOHEA, PHASE 1
TMK: 3-6-8-043-024
NOHEA AT MAUNA LANI, LLC
101 HODENCAMP RD. SUITE 200
THOUSAND OAKS, CA 91360
PH: 805-494-7704 FAX: 805-494-1226

CRAIG MONAGHAN, ARCHITECT
4522 LOWER DR. LAKE OSWEGO, OR 97035
PH: 503-522-9000
monaghan.craig@gmail.com

DATE 02/08/22

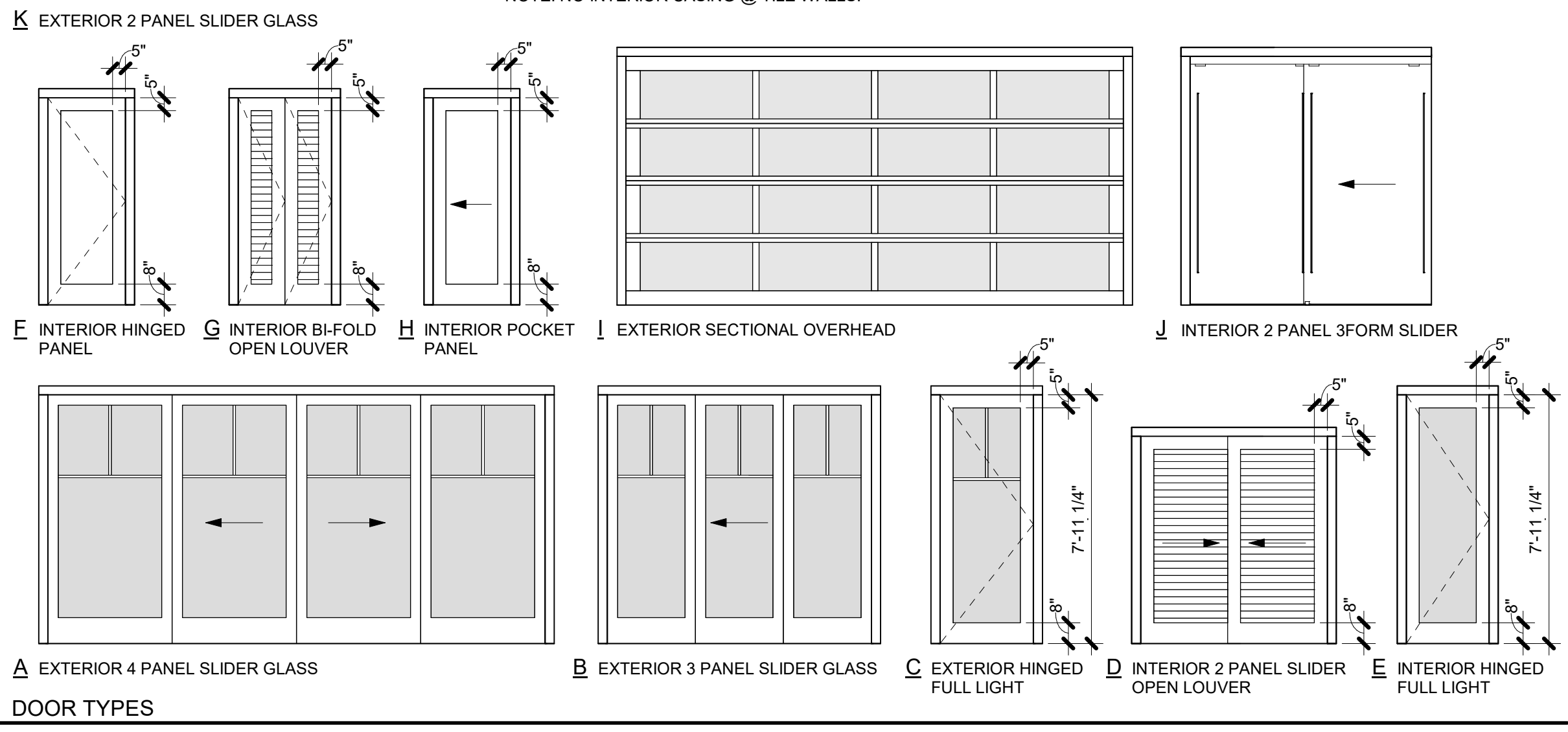
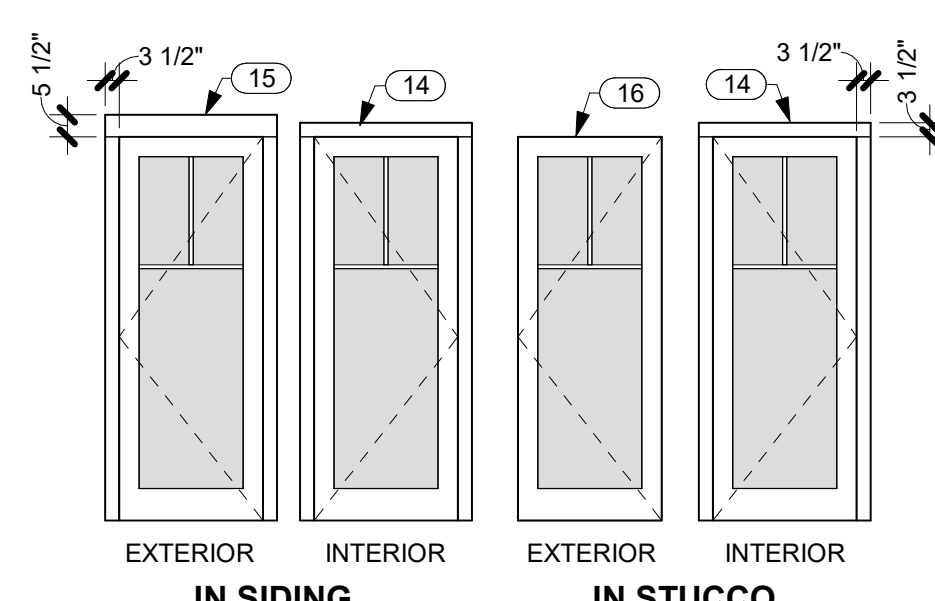
SCALE As indicated

SHEET

DOOR SCHEDULE, DOOR TYPES, DOOR DETAILS

SHEET

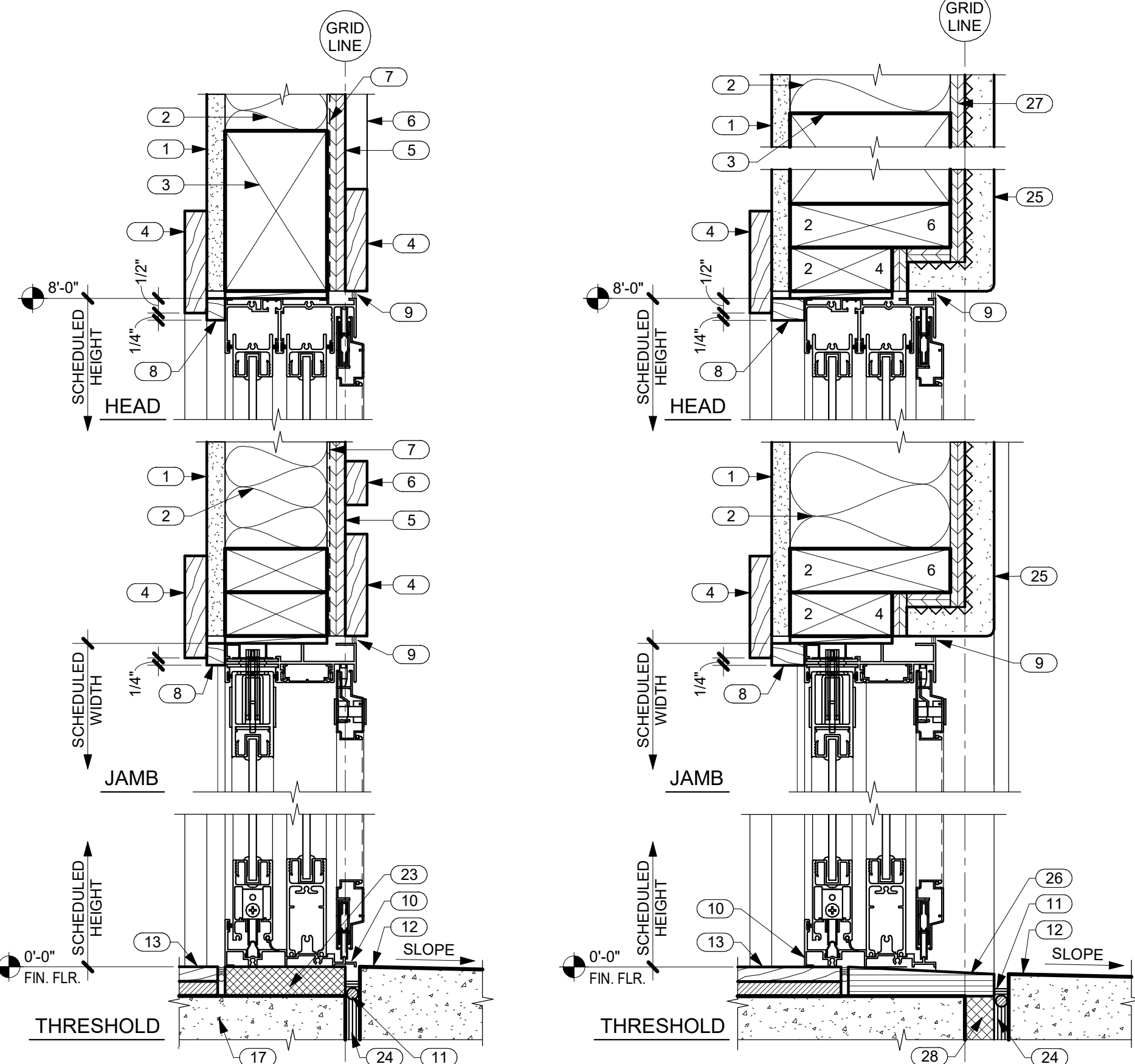
A6.1



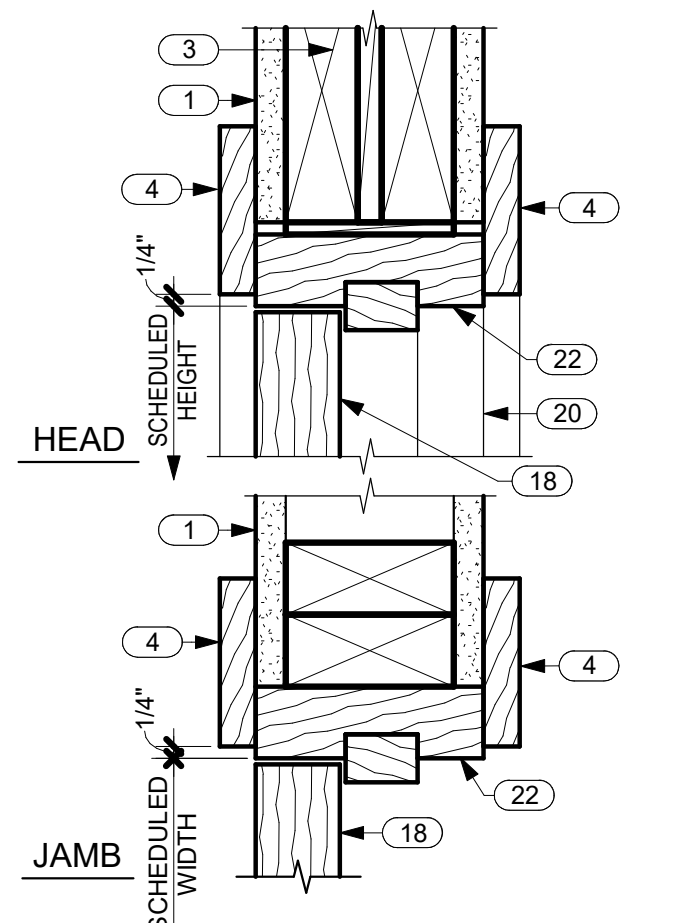
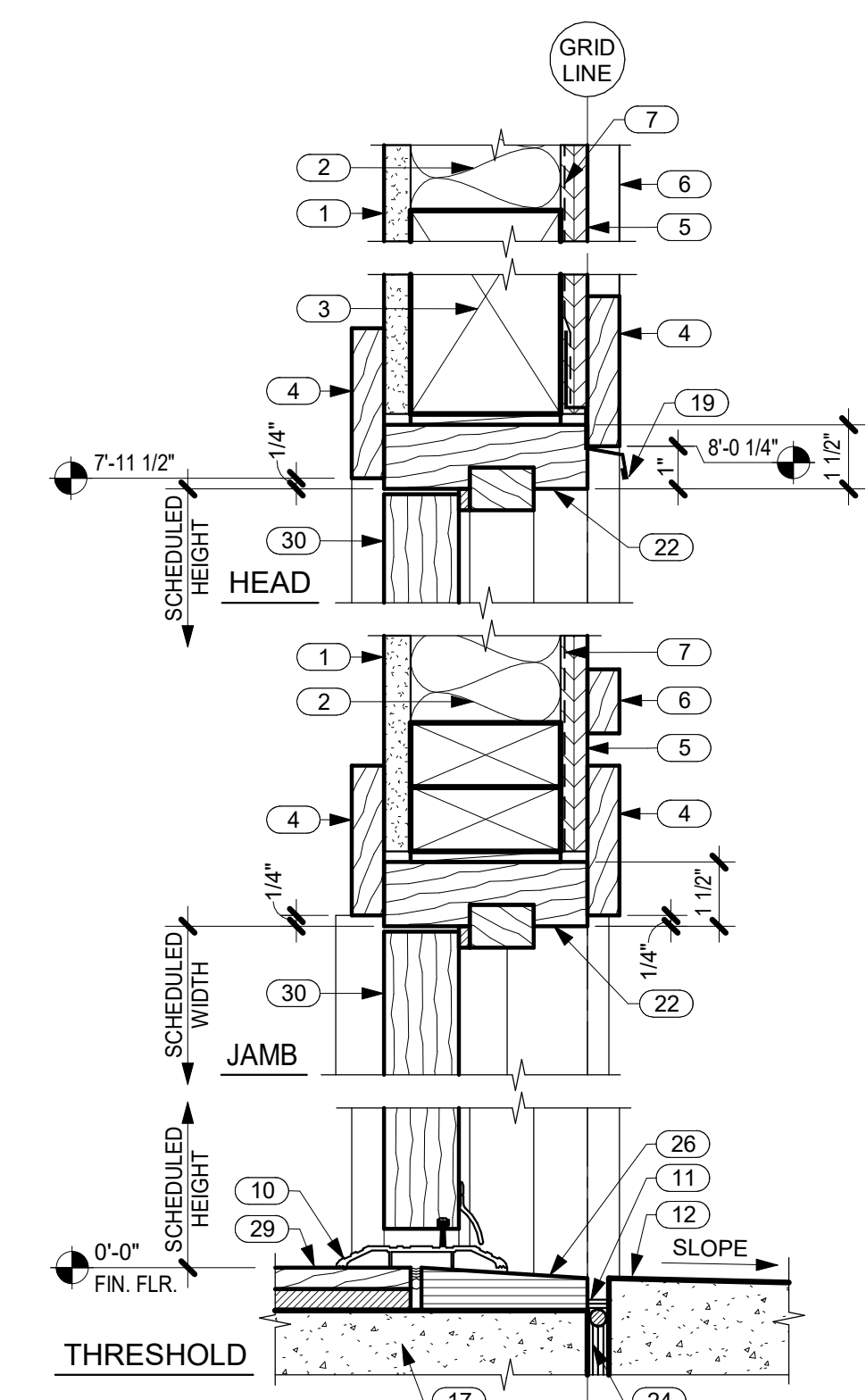
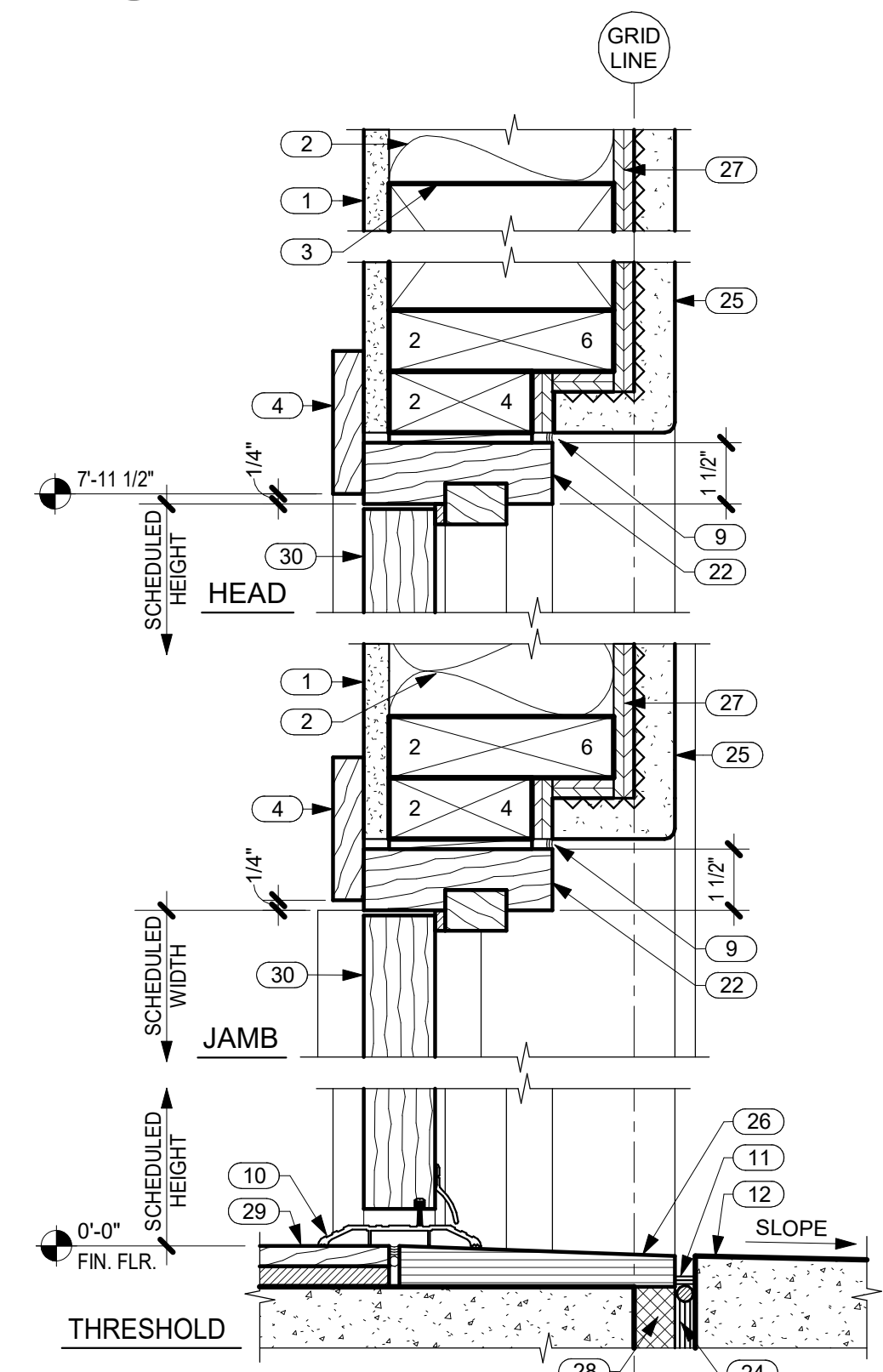
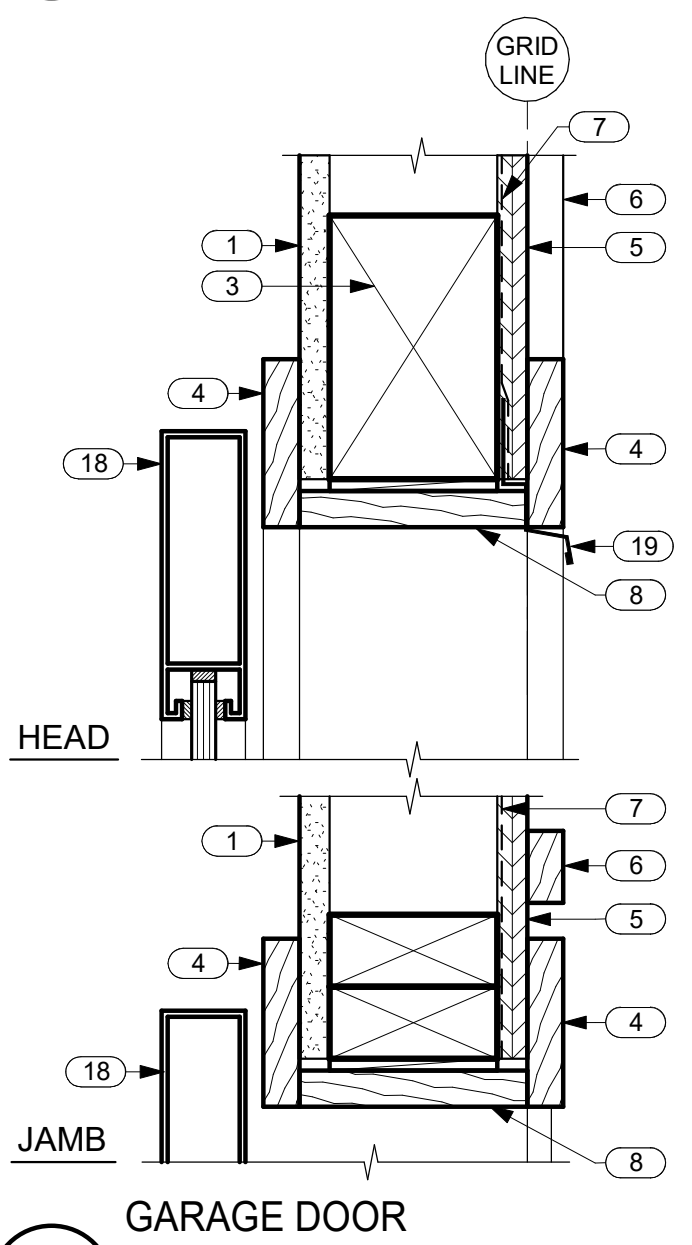
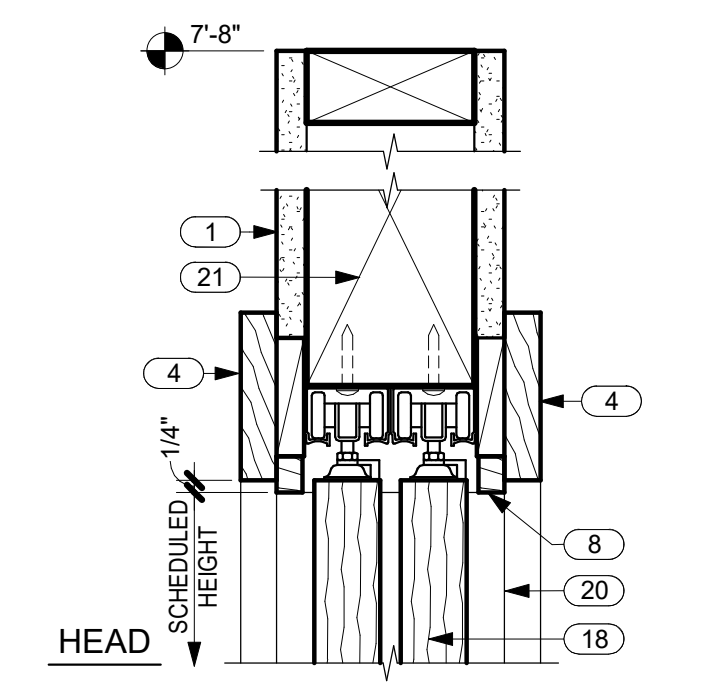
DOOR SCHEDULE											
NO.	TYPE	WIDTH	HEIGHT	THICKNESS	DESCRIPTION	LAMINATED OR TEMP. GLASS	DOOR MATERIAL	FRAME MATERIAL	TRIM INT.	TRIM EXT.	COMMENTS
1	A	16'-0"	8'-0"	1 3/4"	EXTERIOR 4 PANEL SLIDER GLASS	YES	NOTE 5	NOTE 5	NOTE 4	NOTE 2	
2	B	9'-0"	8'-0"	1 3/4"	EXTERIOR 3 PANEL SLIDER GLASS	YES	NOTE 5	NOTE 5	NOTE 4	NOTE 2	
3	C	3'-0"	7'-11 1/4"	1 3/4"	EXTERIOR HINGED FULL LIGHT	YES	NOTE 1	NOTE 1	NOTE 4	NO TRIM	
4	C	3'-0"	7'-11 1/4"	1 3/4"	EXTERIOR HINGED FULL LIGHT	YES	NOTE 1	NOTE 1	NOTE 4	NOTE 2	
5	A	12'-0"	8'-0"	1 3/4"	EXTERIOR 4 PANEL SLIDER GLASS	YES	NOTE 5	NOTE 5	NOTE 4	NOTE 2	
6	A	12'-0"	8'-0"	1 3/4"	EXTERIOR 4 PANEL SLIDER GLASS	YES	NOTE 5	NOTE 5	NOTE 11	NOTE 2	
7	E	2'-8"	7'-11 1/4"	1 3/4"	INTERIOR HINGED FULL LIGHT	YES	NOTE 3	NOTE 3	NOTE 4	N/A	
8	F	2'-6"	6'-8"	1 3/4"	INTERIOR HINGED PANEL	YES	NOTE 3	NOTE 3	NOTE 4	N/A	
9	E	2'-8"	7'-11 1/4"	1 3/4"	INTERIOR HINGED FULL LIGHT	YES	NOTE 3	NOTE 3	NOTE 4	N/A	
10	F	2'-6"	6'-8"	1 3/4"	INTERIOR HINGED PANEL	YES	NOTE 3	NOTE 3	NOTE 4	N/A	
11	G	2'-6"	6'-8"	1 3/8"	INTERIOR BI-FOLD OPEN LOUVER	YES	NOTE 3	NOTE 3	NOTE 4	N/A	
12	B	9'-0"	8'-0"	1 3/4"	EXTERIOR 3 PANEL SLIDER GLASS	YES	NOTE 5	NOTE 5	NOTE 4	NO TRIM	
13	D	6'-0"	6'-8"	1 3/8"	INTERIOR 2 PANEL SLIDER OPEN LOUVER	YES	NOTE 3	NOTE 3	NOTE 4	N/A	
14	C	3'-0"	7'-11 1/4"	1 3/4"	EXTERIOR HINGED FULL LIGHT	YES	NOTE 1	NOTE 1	NOTE 4	NOTE 2	
15	H	2'-8"	6'-8"	1 3/4"	INTERIOR POCKET PANEL	YES	NOTE 3	NOTE 3	NOTE 4	N/A	
16	F	2'-4"	6'-8"	1 3/4"	INTERIOR HINGED PANEL	YES	NOTE 3	NOTE 3	NOTE 4	N/A	
17	K	8'-0"	8'-0"	1 3/4"	EXTERIOR 2 PANEL SLIDER GLASS	YES	NOTE 5	NOTE 5	NOTE 4	NO TRIM	
18	B	9'-0"	8'-0"	1 3/4"	EXTERIOR 3 PANEL SLIDER GLASS	YES	NOTE 5	NOTE 5	NOTE 4	NO TRIM	
19	C	3'-0"	7'-11 1/4"	1 3/4"	EXTERIOR HINGED FULL LIGHT	YES	NOTE 1	NOTE 1	NOTE 4	NOTE 2	NOTE 12
20	C	3'-0"	7'-11 1/4"	1 3/4"	EXTERIOR HINGED FULL LIGHT	YES	NOTE 1	NOTE 1	NOTE 4	NOTE 2	
21	C	3'-0"	7'-11 1/4"	1 3/4"	EXTERIOR HINGED FULL LIGHT	YES	NOTE 1	NOTE 1	NOTE 4	NOTE 2	
22	D	3'-0"	6'-8"	1 3/8"	INTERIOR 2 PANEL SLIDER OPEN LOUVER	YES	NOTE 3	NOTE 3	NOTE 4	N/A	
23	C	3'-0"	7'-11 1/4"	1 3/4"	EXTERIOR HINGED FULL LIGHT	YES	NOTE 1	NOTE 1	NOTE 4	NOTE 2	NOTE 12
24	I	16'-0"	8'-0"	2 1/8"	EXTERIOR SECTIONAL OVERHEAD	YES	NOTE 6	NOTE 6	NOTE 4	NOTE 2	
25	D	4'-6"	6'-8"	1 3/8"	INTERIOR 2 PANEL SLIDER OPEN LOUVER	YES	NOTE 3	NOTE 3	NOTE 4	N/A	
26	J	7'-9 1/4"	8'-0"	1/2"	INTERIOR 2 PANEL 3FORM SLIDER	YES	NOTE 13	NOTE 13	NOTE 4	N/A	
27	J	7'-9 1/4"	8'-0"	1/2"	INTERIOR 2 PANEL 3FORM SLIDER	YES	NOTE 13	NOTE 13	NOTE 4	N/A	
28	K	6'-0"	8'-0"	1 3/4"	EXTERIOR 2 PANEL SLIDER GLASS	YES	NOTE 5	NOTE 5	NOTE 4	NOTE 2	
29	K	6'-0"	8'-0"	1 3/4"	EXTERIOR 2 PANEL SLIDER GLASS	YES	NOTE 5	NOTE 5	NOTE 4	NOTE 2	
30	H	2'-6"	6'-8"	1 3/4"	INTERIOR POCKET PANEL	YES	NOTE 3	NOTE 3	NOTE 4	N/A	
31	D	3'-9"	6'-8"	1 3/8"	INTERIOR 2 PANEL SLIDER OPEN LOUVER	YES	NOTE 3	NOTE 3	NOTE 4	N/A	
32	H	2'-6"	6'-8"	1 3/4"	INTERIOR POCKET PANEL	YES	NOTE 3	NOTE 3	NOTE 4	N/A	
33	K	6'-0"	8'-0"	1 3/4"	EXTERIOR 2 PANEL SLIDER GLASS	YES	NOTE 5	NOTE 5	NOTE 4	NOTE 2	

NOTES

- EXTERIOR HINGED DOORS: ALUMINUM CLAD WOOD.
- EXTERIOR TRIM: 1 X 4 TIGHT KNOT W.R. CEDAR W/ SIKKENS STAIN-009 DARK OAK, 1 COAT OF CETOL 1" AND 1 COAT OF CETOL 2/3 PLUS.
- INTERIOR DOORS: 1 3/4" THICK. WOOD DOOR PANELS: 5/8" PLYWOOD W/ 1/8" VENEERS MATCHING STILE AND RAIL. SQUARE SHOULDER STOPS AT GLASS FLUSH W/ DOOR FACE. DOORS AND FRAMES: MIXED GRAIN SPANISH CEDAR W/ PPG PAINTS FOR INTERIOR CLEAR LACQUER BASED, SATIN FINISH, 2 COATS. OR STEAMED BEECH W/ PPG PAINTS SATIN STAIN TO MATCH SIKKENS STAIN-009 DARK OAK, 1 COAT OF CETOL 1" AND 1 COAT OF CETOL 2/3 PLUS.
- INTERIOR TRIM: 3/4" X 3 1/2" MIXED GRAIN SPANISH CEDAR W/ PPG PAINTS FOR INTERIOR CLEAR LACQUER BASED, SATIN FINISH, 2 COATS. OR STEAMED BEECH W/ PPG PAINTS SATIN STAIN TO MATCH SIKKENS STAIN-009 DARK OAK, 1 COAT OF CETOL 1" AND 1 COAT OF CETOL 2/3 PLUS.
- EXTERIOR SLIDING DOORS AND FRAMES: FLEETWOOD 1000, DARK BRONZE ANODIZED. SINGLE GLAZED, LOW E, 6MM SG.
- GARAGE DOOR: BRONZE ANODIZED ALUM. WITH WHITE OBSCURE LAMINATED GLASS BY NORTHWEST DOOR PER TRADEWIND HAWAII QUOTE #13881.
- DIMENSIONS SHOWN ON DOOR TYPES ARE "SEEN DIMENSIONS", SEE DETAILS.
- 2 1/2" BACKSETS U.O.N. SEE HARDWARE SCHEDULE.
- CLEAR OR FROSTED AS NOTED. LAMINATED OR TEMPERED GLASS IN ALL DOORS WITH GLASS. LOW E AT EXTERIOR WITH CODE SHGC.
- GLAZING = U OF .34, NO U VALUE REQUIRED AT GARAGE.
- TILE HEAD AND JAMBS.
- OBSCURE GLASS.
- INTERIOR 3FORM DOORS: 3 FORM SLIDER AND COMPLETE HARDWARE PACKAGE.



3 TYP. RECESSED POCKET DOOR TRACK
SCALE: 3" = 1'-0"



KEYNOTES	
NO.	NOTE
1	5/8" GYP. BD.
2	FACED BATT INSULATION R-19 @ WALLS TYP.
3	HEADER SEE STRUCTURAL.
4	1 X TRIM SEE TYP. DOOR ELEVATIONS THIS SHEET.
5	5/8" BRECKINRIDGE SIDING.
6	1 X 2 CEDAR BATTS @ 16" O.C.
7	VAPOR BARRIER SEAL TO FLANGES AND FLASHINGS WITH PEEL AND STICK MEMBRANE.
8	1 X TRIM.
9	SEALANT.
10	THRESHOLD SET IN SEALANT.
11	SEALANT AND B.U.R. HOLD DOWN 1/2".
12	LANAI WHERE OCCURS.
13	TILE OR WOOD FLOORING.
14	1 X 4.
15	1 X 6.

KEYNOTES	
NO.	NOTE
16	NO TRIM.
17	CONCRETE SLAB AND FOOTING SEE STRUCTURAL.
18	DOOR.
19	DRIP EDGE.
20	JAMB AND TRIM BEYOND.
21	4 X 8 HEADER.
22	DOOR FRAME.
23	GROUT AND HARD SHIMS.
24	EXPANSION JOINT.
25	1" STUCCO ON LATH OVER VAPOR BARRIER.
26	BASALT STONE THRESHOLD, SLOPE 1/4" TO EXTERIOR.
27	SHEATHING SEE STRUCTURAL.
28	RIGID INSULATION (CLOSED CELL) SPACER.
29	WOOD FLOORING.
30	DOOR.



THIS WORK WAS PREPARED BY ME OR UNDER MY SUPERVISION. CONSTRUCTION OF THIS PROJECT WILL BE UNDER MY OBSERVATION.

SIGNATURE
EXPIRATION 4/30/22

GENERAL CONTRACTOR:

DATE	2/2/22
DESCRIPTION	CONSULTANTS
NO.	4
REVISIONS	FINAL DR. SUBMISSION

SINGLE FAMILY RESIDENCE
LOT 24 NOHEA, PHASE 1
TMK: 3-6-8-043:024
 NOHEA AT MAUNA LANI, LLC
 101 HODENCAMP RD. SUITE 200
 THOUSAND OAKS, CA 91360
 PH: 805-494-7704 FAX: 805-494-1226

CRAIG MONAGHAN, ARCHITECT
 4522 LOWER DR. LAKE OSWEGO, OR 97035
 PH: 503-522-9000
 monaghan.craig@gmail.com

DATE 02/08/22

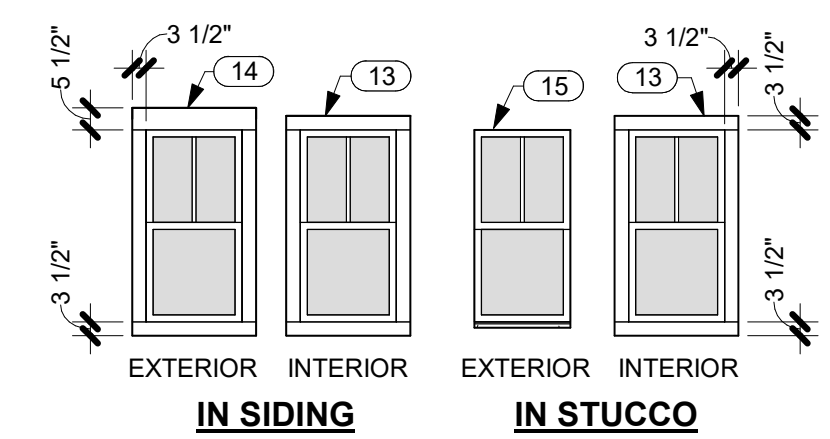
SCALE As indicated

SHEET

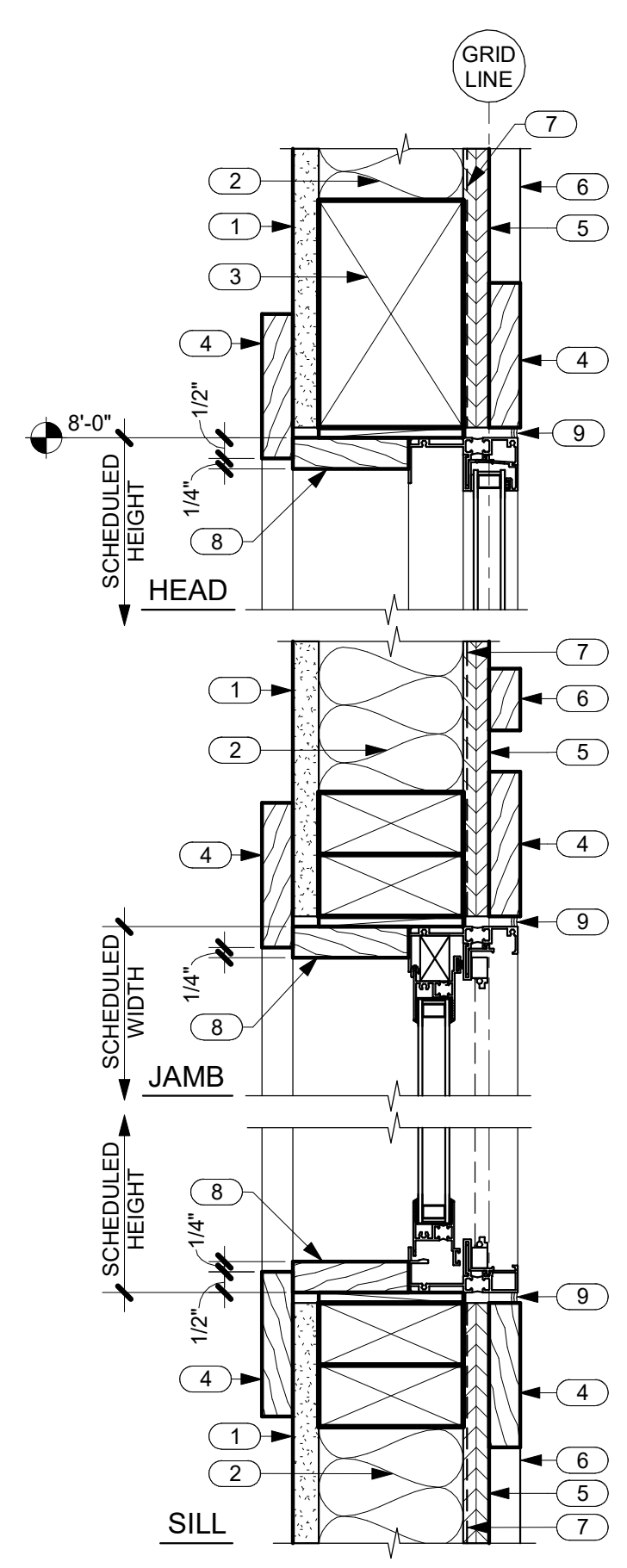
WINDOW SCHEDULE, TYPES AND DETAILS

SHEET

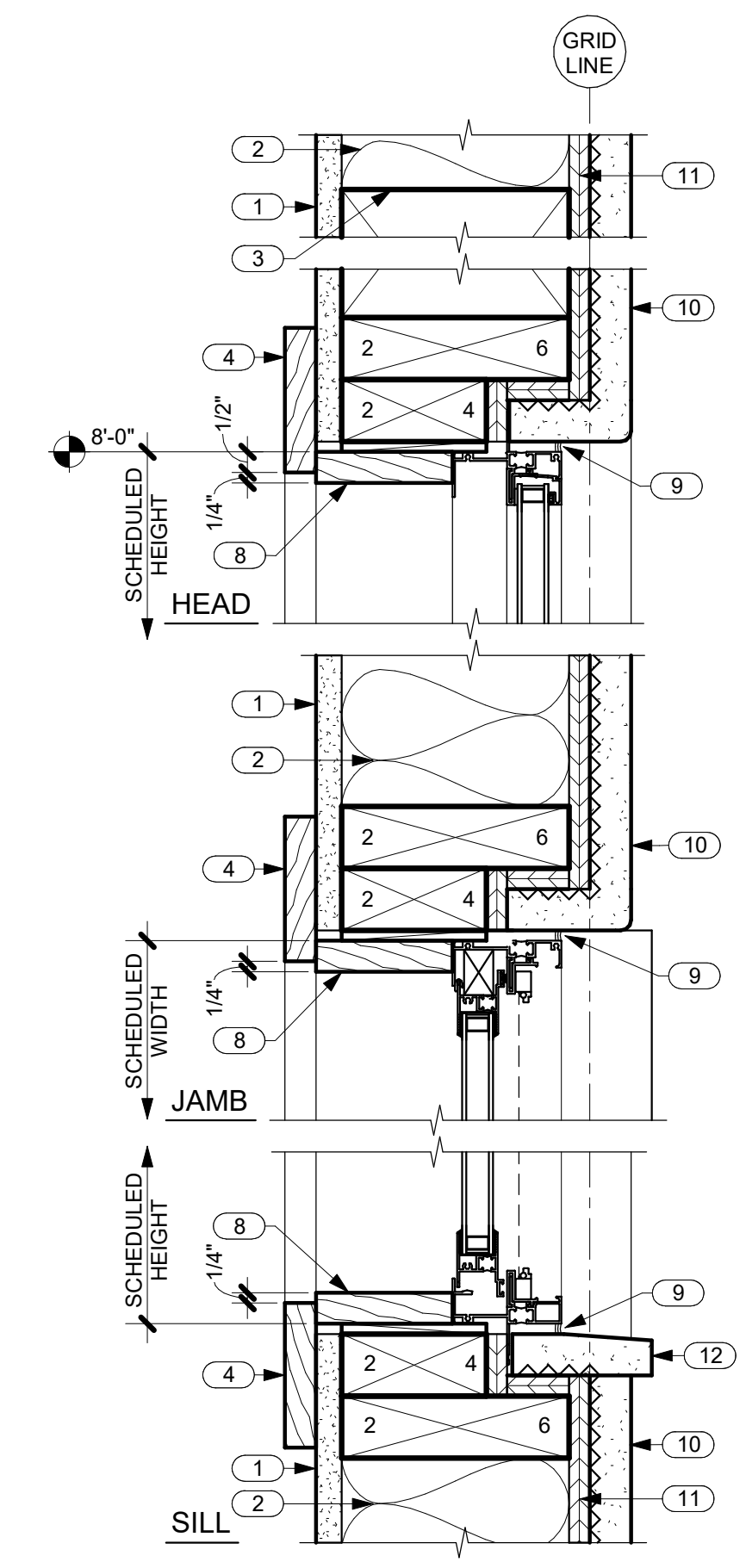
A6.2



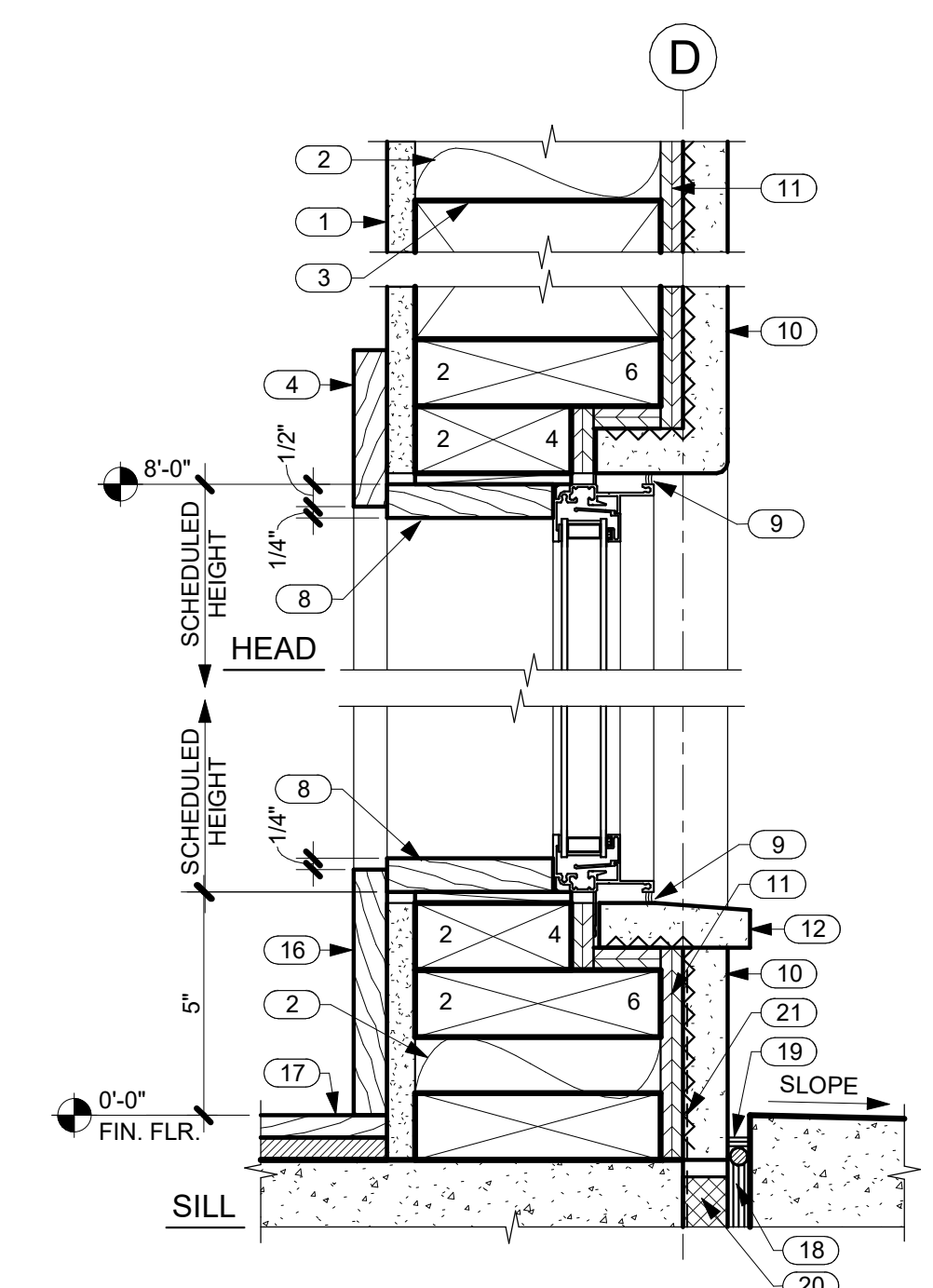
1 TYPICAL WINDOW ELEVATIONS
 SCALE: 1/4" = 1'-0"
 NOTE: NO INTERIOR CASING @ TILE WALLS.



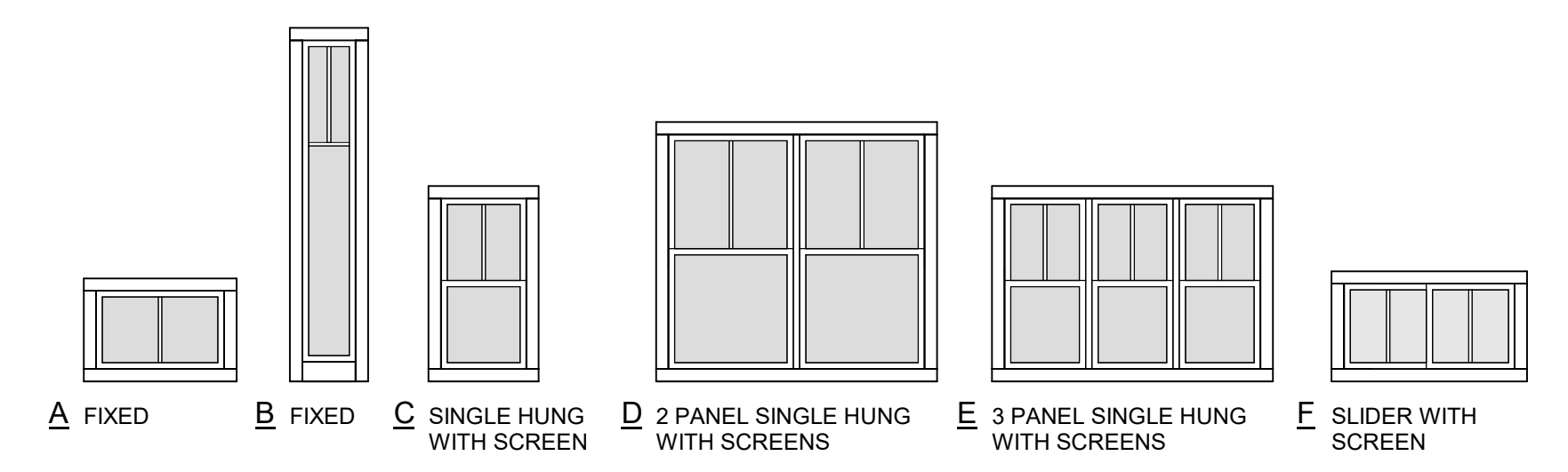
2 TYP. WINDOW DETAILS IN SIDING
 SCALE: 3" = 1'-0"



3 TYP. WINDOW DETAILS IN STUCCO
 SCALE: 3" = 1'-0"



4 SIDELIGHT HEAD AND SILL DETAILS
 SCALE: 3" = 1'-0"



WINDOW TYPES

WINDOW SCHEDULE								
NO.	TYPE	WIDTH	HEIGHT	DESCRIPTION	LAMINATED OR TEMP. GLASS	INT. TRIM	EXT. TRIM	COMMENTS
1	A	4'-8"	2'-0"	FIXED		NOTE 3	NO TRIM	
2	A	4'-8"	2'-0"	FIXED		NOTE 3	NO TRIM	
3	A	4'-0"	2'-0"	FIXED		NOTE 3	NO TRIM	
4	A	4'-0"	2'-0"	FIXED		NOTE 3	NO TRIM	
5	B	1'-3"	7'-7"	FIXED	YES	NOTE 3	NO TRIM	
6	C	2'-0"	4'-0"	SINGLE HUNG WITH SCREEN		NOTE 3	NOTE 4	NOTE 8
7	C	2'-6"	5'-6"	SINGLE HUNG WITH SCREEN		NOTE 3	NOTE 4	
8	C	2'-0"	4'-0"	SINGLE HUNG WITH SCREEN	YES	NOTE 5	NOTE 4	NOTE 8
9	C	2'-0"	4'-0"	SINGLE HUNG WITH SCREEN		NOTE 3	NOTE 4	
10	C	2'-0"	4'-0"	SINGLE HUNG WITH SCREEN		NOTE 3	NOTE 4	
11	C	2'-0"	4'-0"	SINGLE HUNG WITH SCREEN		NOTE 3	NOTE 4	
12	C	3'-0"	5'-6"	SINGLE HUNG WITH SCREEN	YES	NOTE 3	NO TRIM	
13	A	3'-0"	1'-10"	FIXED		NOTE 3	NO TRIM	
14	E	6'-0"	4'-0"	3 PANEL SINGLE HUNG WITH SCREENS		NOTE 3	NO TRIM	
15	F	4'-0"	2'-0"	SLIDER WITH SCREEN	YES	NOTE 5	NOTE 4	NOTE 8
16	F	4'-0"	2'-0"	SLIDER WITH SCREEN	YES	NOTE 5	NOTE 4	NOTE 8
17	C	2'-6"	5'-6"	SINGLE HUNG WITH SCREEN		NOTE 3	NOTE 4	
18	C	3'-0"	5'-6"	SINGLE HUNG WITH SCREEN		NOTE 3	NOTE 4	NOTE 8
19	C	2'-0"	4'-6"	SINGLE HUNG WITH SCREEN		NOTE 3	NOTE 4	NOTE 8
20	C	2'-0"	4'-0"	SINGLE HUNG WITH SCREEN		NOTE 3	NO TRIM	
21	C	2'-0"	4'-0"	SINGLE HUNG WITH SCREEN		NOTE 3	NO TRIM	
22	C	2'-0"	4'-0"	SINGLE HUNG WITH SCREEN		NOTE 3	NO TRIM	
23	C	2'-0"	4'-0"	SINGLE HUNG WITH SCREEN		NOTE 3	NOTE 4	
24	C	3'-0"	5'-6"	SINGLE HUNG WITH SCREEN		NOTE 3	NOTE 4	
25	D	4'-0"	4'-0"	2 PANEL SINGLE HUNG WITH SCREENS		NOTE 3	NOTE 4	
26	A	4'-8"	2'-0"	FIXED		NOTE 3	NO TRIM	
27	A	4'-0"	2'-0"	FIXED		NOTE 3	NO TRIM	
28	A	4'-0"	2'-0"	FIXED		NOTE 3	NO TRIM	
29	A	4'-0"	2'-0"	FIXED		NOTE 3	NO TRIM	
30	C	2'-0"	4'-0"	SINGLE HUNG WITH SCREEN	YES	NOTE 3	NOTE 4	
31	A	2'-0"	2'-0"	FIXED		NOTE 3	NOTE 4	
32	C	2'-0"	4'-6"	SINGLE HUNG WITH SCREEN		NOTE 3	NOTE 4	NOTE 8
33	C	2'-0"	4'-0"	SINGLE HUNG WITH SCREEN	YES	NOTE 5	NOTE 4	NOTE 8
34	C	2'-0"	4'-6"	SINGLE HUNG WITH SCREEN		NOTE 3	NOTE 4	NOTE 8
35	A	2'-0"	2'-0"	FIXED		NOTE 3	NOTE 4	
36	C	2'-0"	4'-0"	SINGLE HUNG WITH SCREEN		NOTE 3	NOTE 4	
37	F	6'-0"	5'-6"	SLIDER WITH SCREEN		NOTE 3	NOTE 4	

NOTES

- ALL WINDOWS: DOUBLE GLAZED CLEAR AND SUNCOAT LOW E.
- ALL WINDOW FRAMES: MILGARD THERMAL BREAK ALUMINUM 920.
- INTERIOR TRIM: 3/4" X 3 1/2" MIXED GRAIN SPANISH CEDAR W/ PPG PAINTS FOR INTERIOR CLEAR LACQUER BASED, SATIN FINISH, 2 COATS. OR STEAMED BEECH W/ PPG PAINTS SATIN STAIN TO MATCH SIKKENS STAIN-009 DARK OAK, 1 COAT OF CETOL 1" AND 1 COAT OF CETOL 2/3 PLUS.
- EXTERIOR TRIM: 1 X 4 TIGHT KNOT W.R. CEDAR W/ SIKKENS STAIN-009 DARK OAK, 1 COAT OF CETOL 1" AND 1 COAT OF CETOL 2/3 PLUS.
- TILE HEAD, JAMB AND SILL.
- GLAZING = U OF 4, NO U VALUE REQUIRED AT GARAGE.
- LAMINATED OR TEMPERED GLASS AS REQUIRED.
- OBSCURE GLASS

NO.	NOTE
1	5/8" GYP. BD.
2	FACED BATT INSULATION R-19 @ WALLS TYP.
3	HEADER SEE STRUCTURAL.
4	1 X TRIM SEE TYP. DOOR ELEVATIONS THIS SHEET.
5	5/8" BRECKINRIDGE SIDING.
6	1 X 2 CEDAR BATTIS @ 16"O.C.
7	VAPOR BARRIER SEAL TO FLANGES AND FLASHINGS WITH PEEL AND STICK MEMBRANE.
8	1 X TRIM.
9	SEALANT.
10	1" STUCCO ON LATH OVER VAPOR BARRIER.
11	SHEATHING SEE STRUCTURAL.
12	STUCCO SILL.
13	1 X 4.
14	1 X 6.
15	NO TRIM.
16	3/4" X 5 1/2" TRIM.
17	WOOD FLOORING.
18	EXPANSION JOINT.
19	SEALANT AND B.U.R. HOLD DOWN 1/2".
20	RIGID INSULATION (CLOSED CELL) SPACER.
21	WATERPROOFING.



THIS WORK WAS PREPARED BY ME OR UNDER MY SUPERVISION. CONSTRUCTION OF THIS PROJECT WILL BE UNDER MY OBSERVATION.

SIGNATURE
EXPIRATION 4/30/22

GENERAL CONTRACTOR:

REVISIONS	NO.	DESCRIPTION	DATE
	1	ISSUE FOR CONSULTANTS	2/2/22
	2	ISSUE FOR SUBMISSION	2/2/22
	4	FINAL DR. SUBMISSION	2/2/22

SINGLE FAMILY RESIDENCE
LOT 24 NOHEA, PHASE 1
TMK: 3-6-8-043:024
 NOHEA AT MAUNA LANI, LLC
 101 HODENCAMP RD. SUITE 200
 THOUSAND OAKS, CA 91360
 PH: 805-494-7704 FAX: 805-494-1226

CRAIG MONAGHAN, ARCHITECT
 4522 LOWER DR. LAKE OSWEGO, OR 97035
 PH: 503-522-9000
 monaghan.craig@gmail.com

DATE 02/08/22

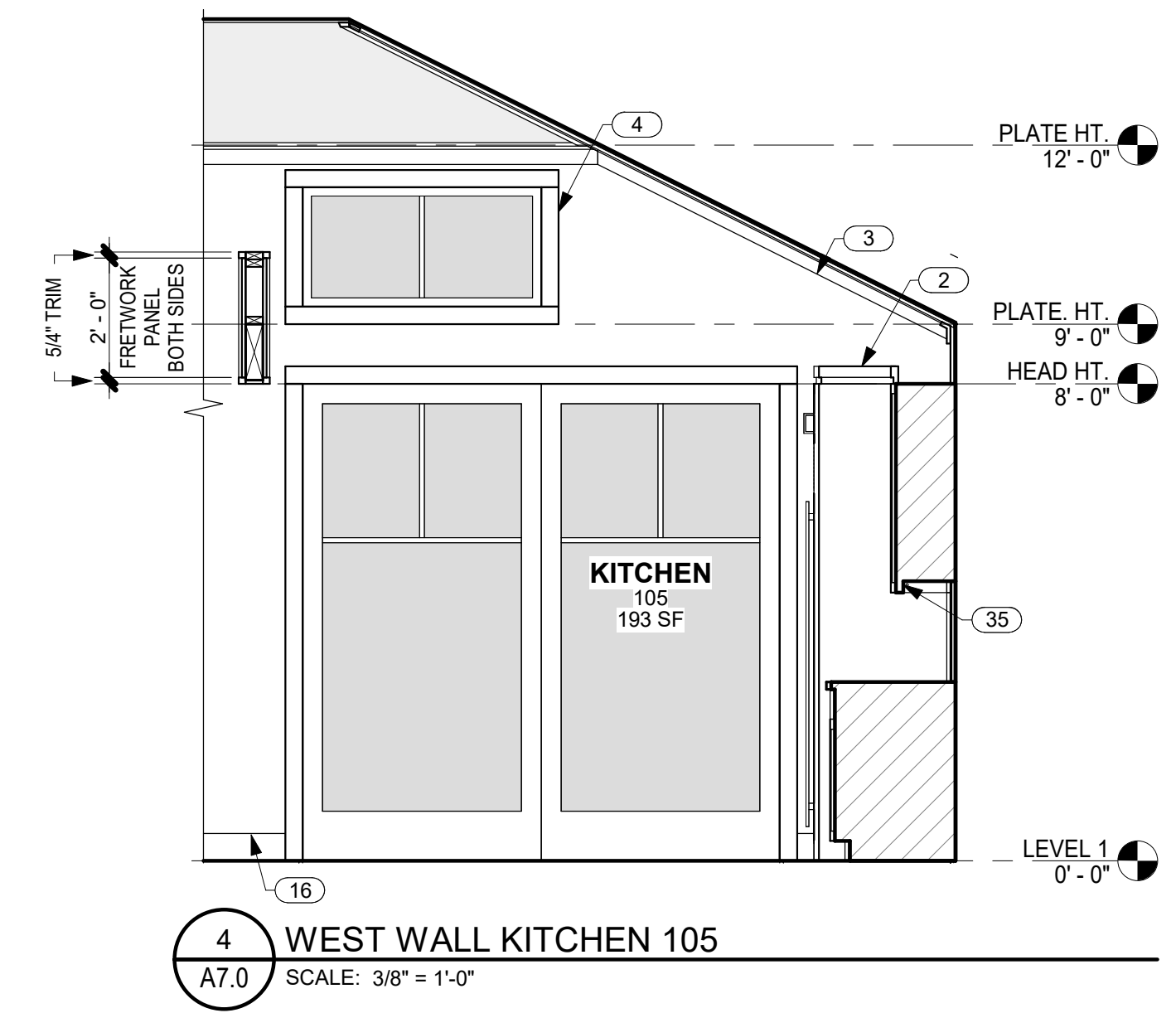
SCALE 3/8" = 1'-0"

SHEET

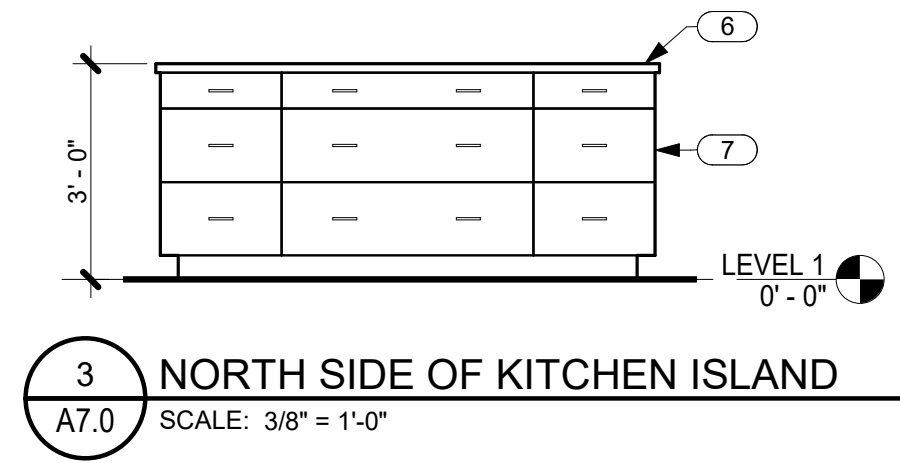
INTERIOR ELEVATIONS

SHEET

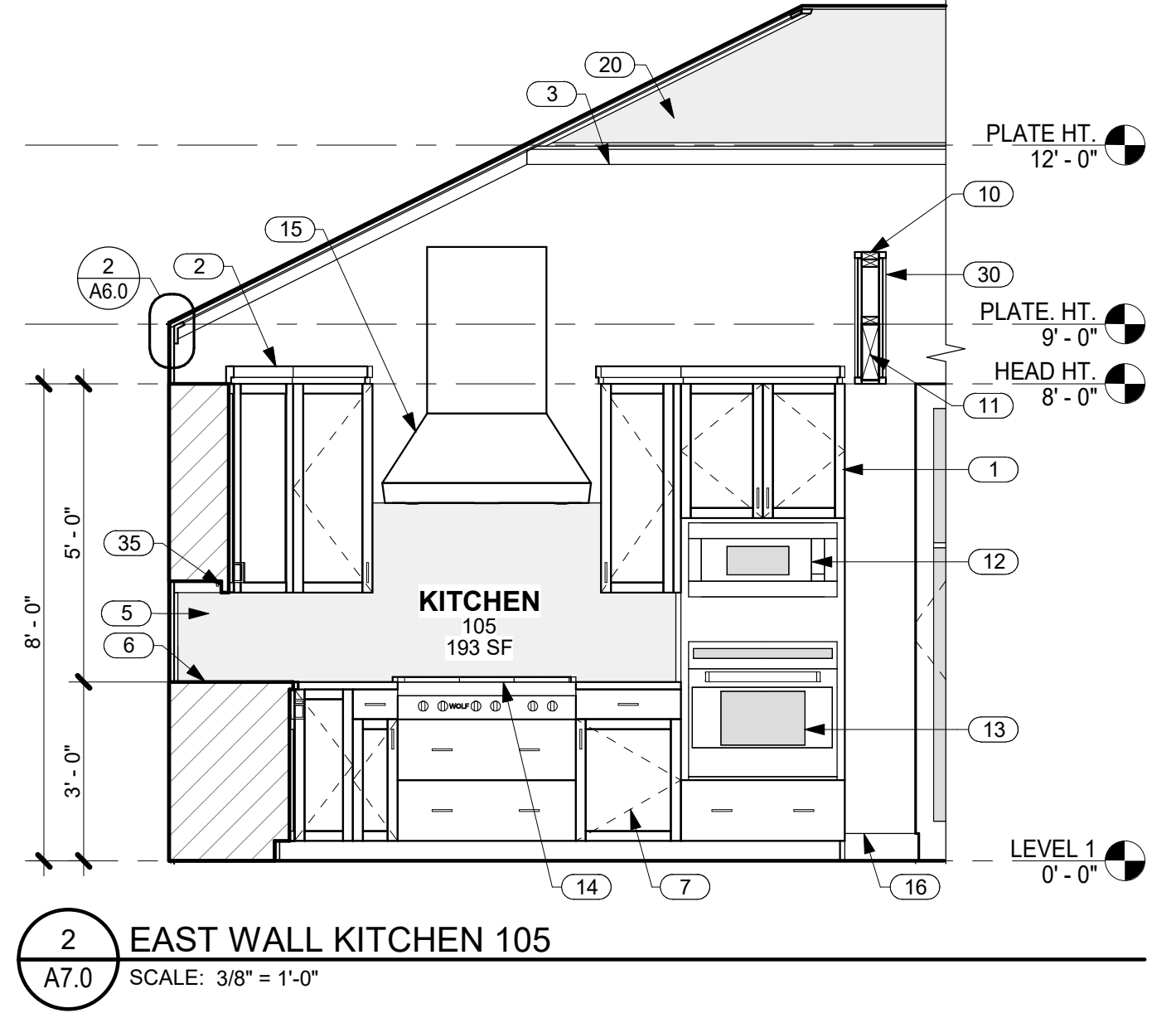
A7.0



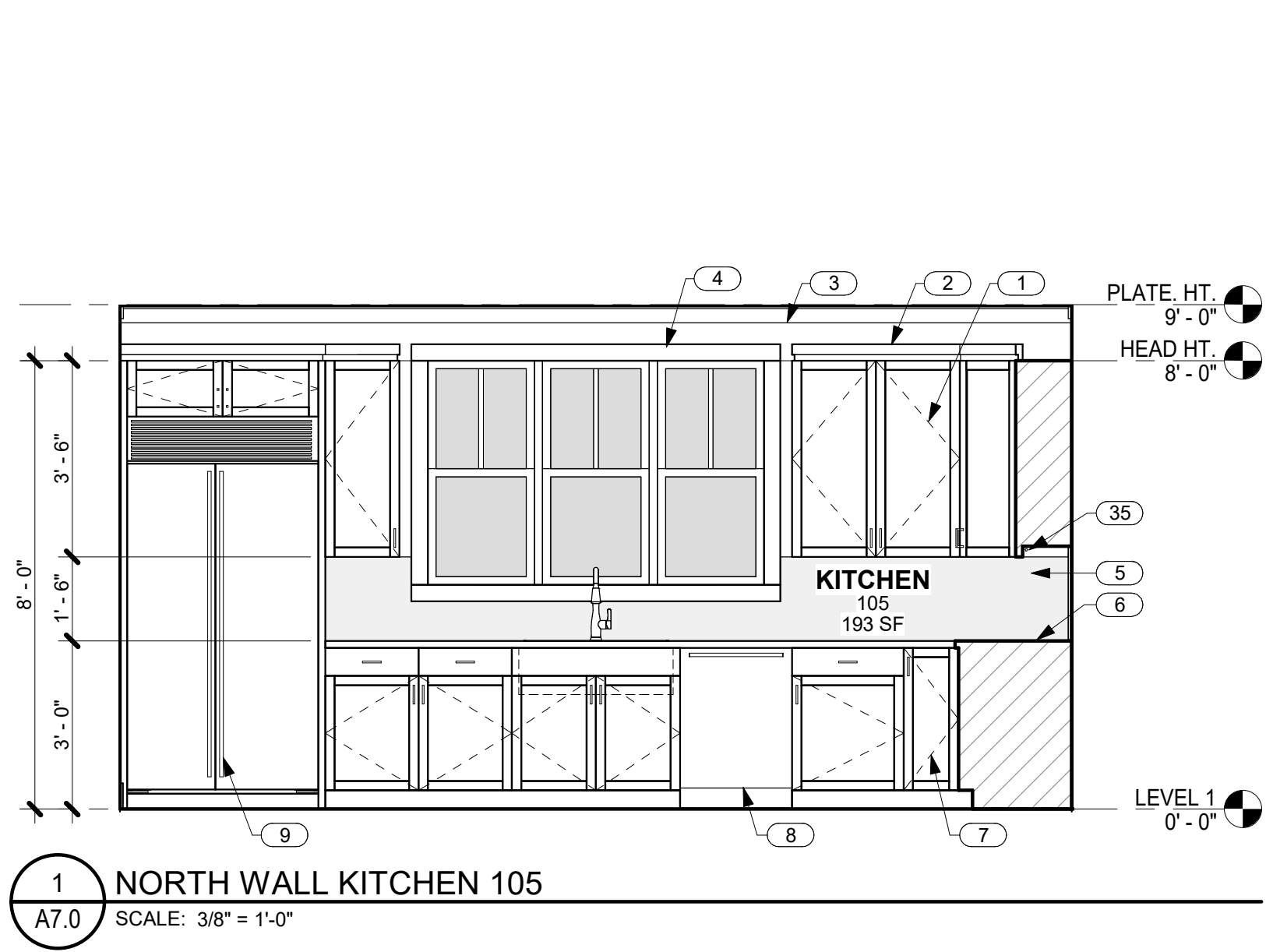
4 WEST WALL KITCHEN 105
A7.0 SCALE: 3/8" = 1'-0"



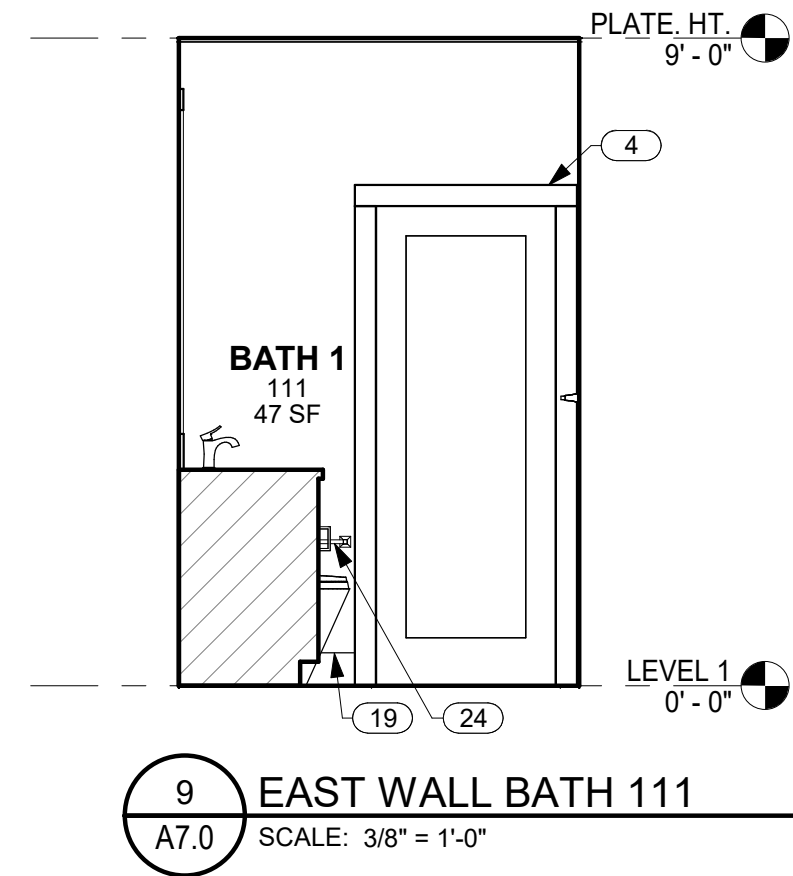
3 NORTH SIDE OF KITCHEN ISLAND
A7.0 SCALE: 3/8" = 1'-0"



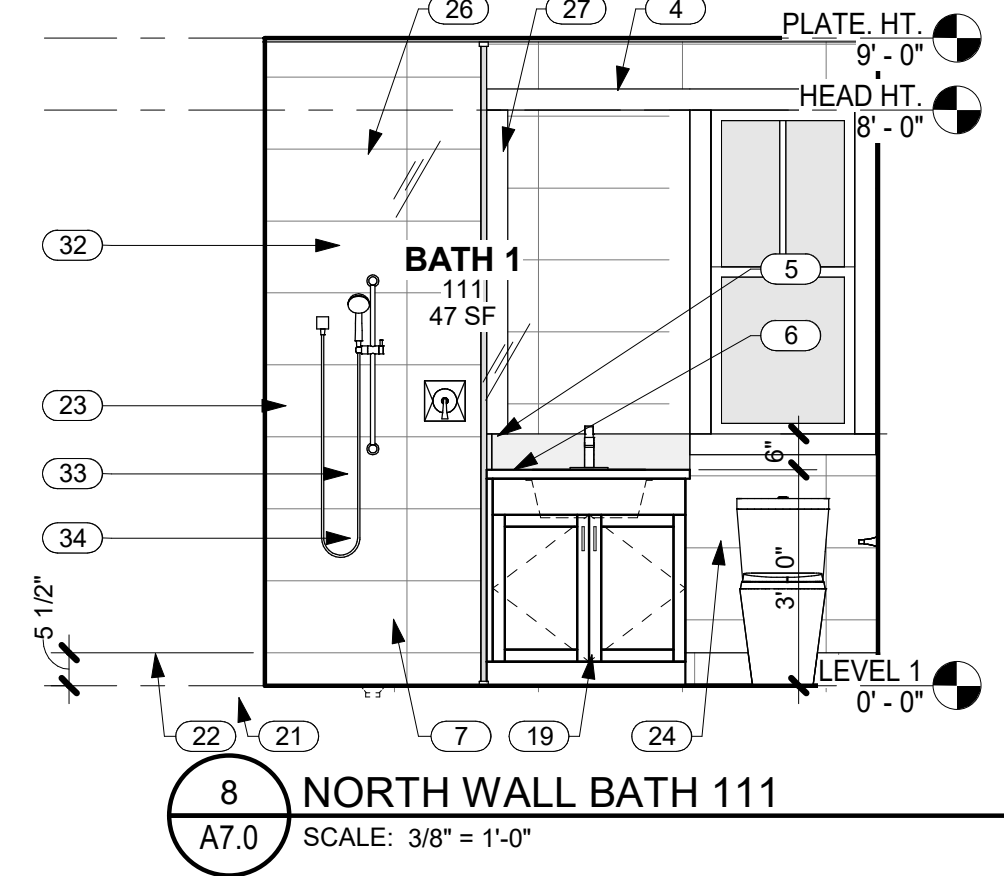
2 EAST WALL KITCHEN 105
A7.0 SCALE: 3/8" = 1'-0"



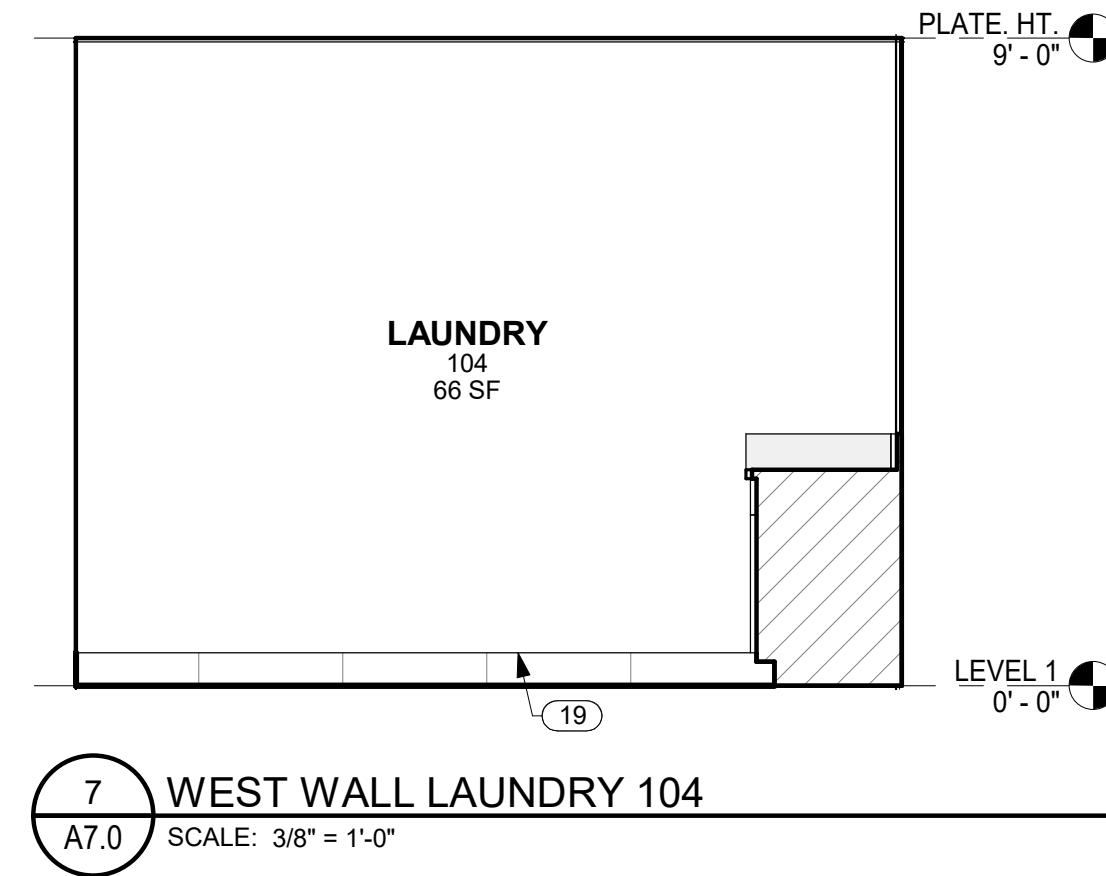
1 NORTH WALL KITCHEN 105
A7.0 SCALE: 3/8" = 1'-0"



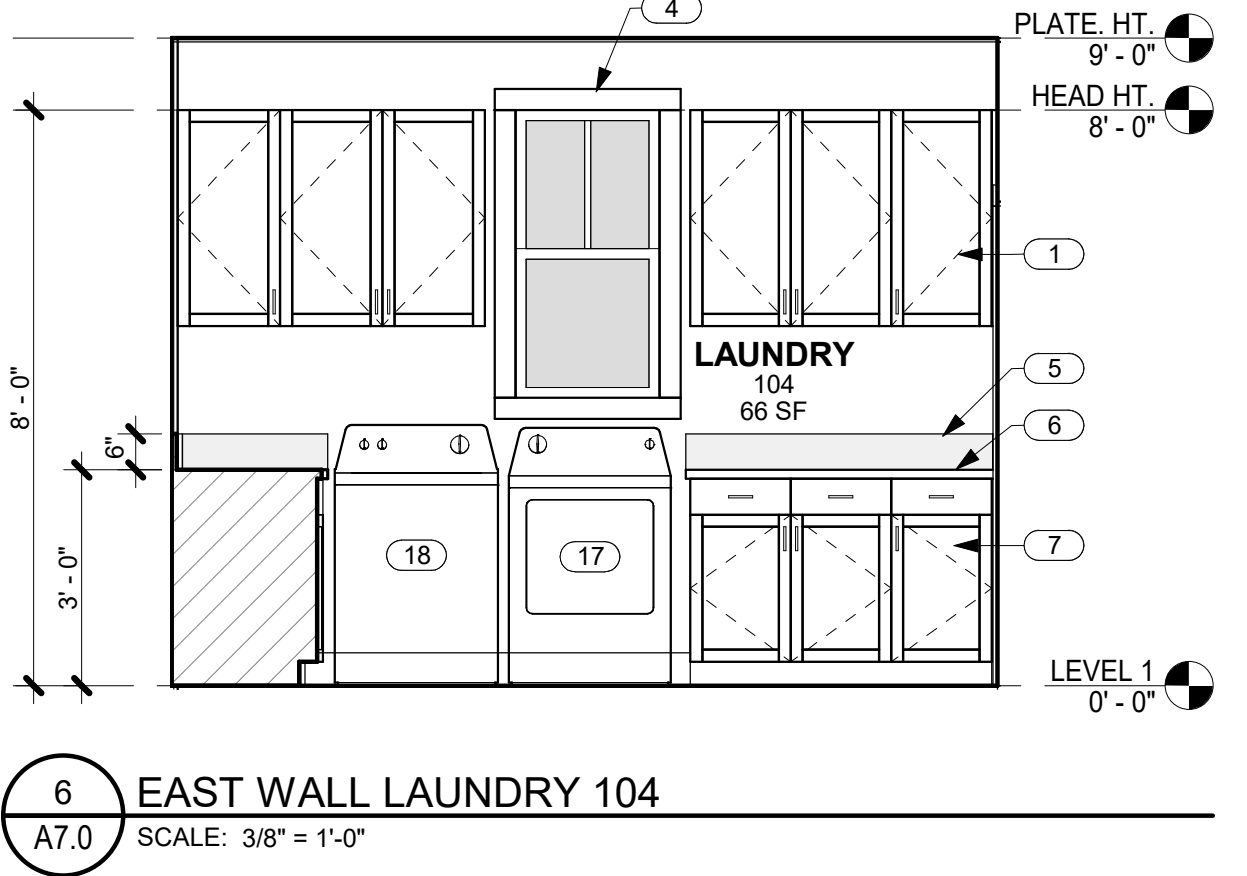
9 EAST WALL BATH 111
A7.0 SCALE: 3/8" = 1'-0"



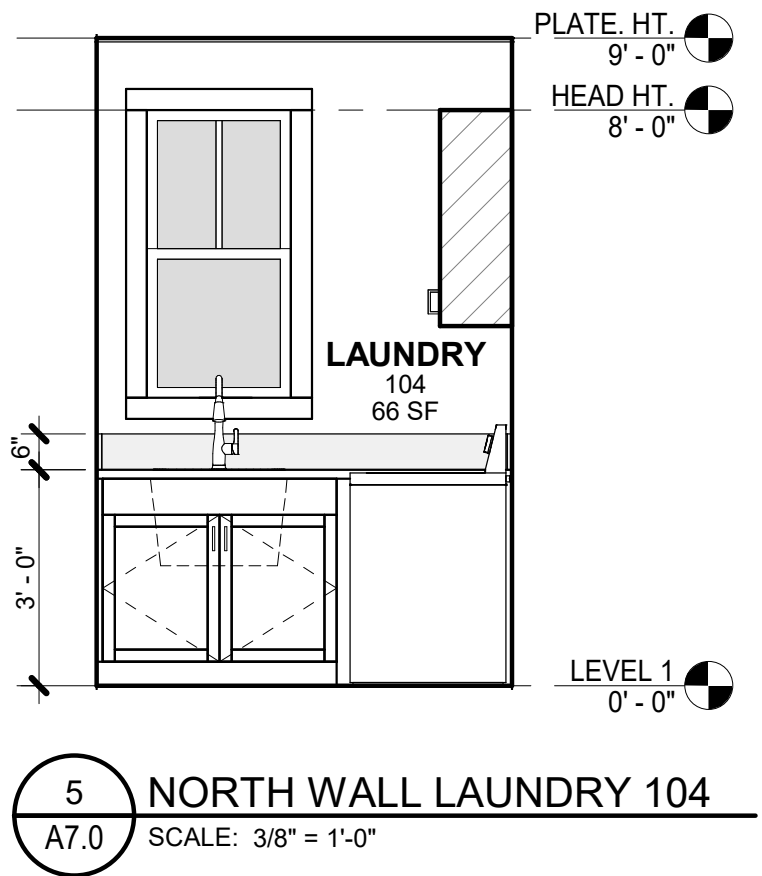
8 NORTH WALL BATH 111
A7.0 SCALE: 3/8" = 1'-0"



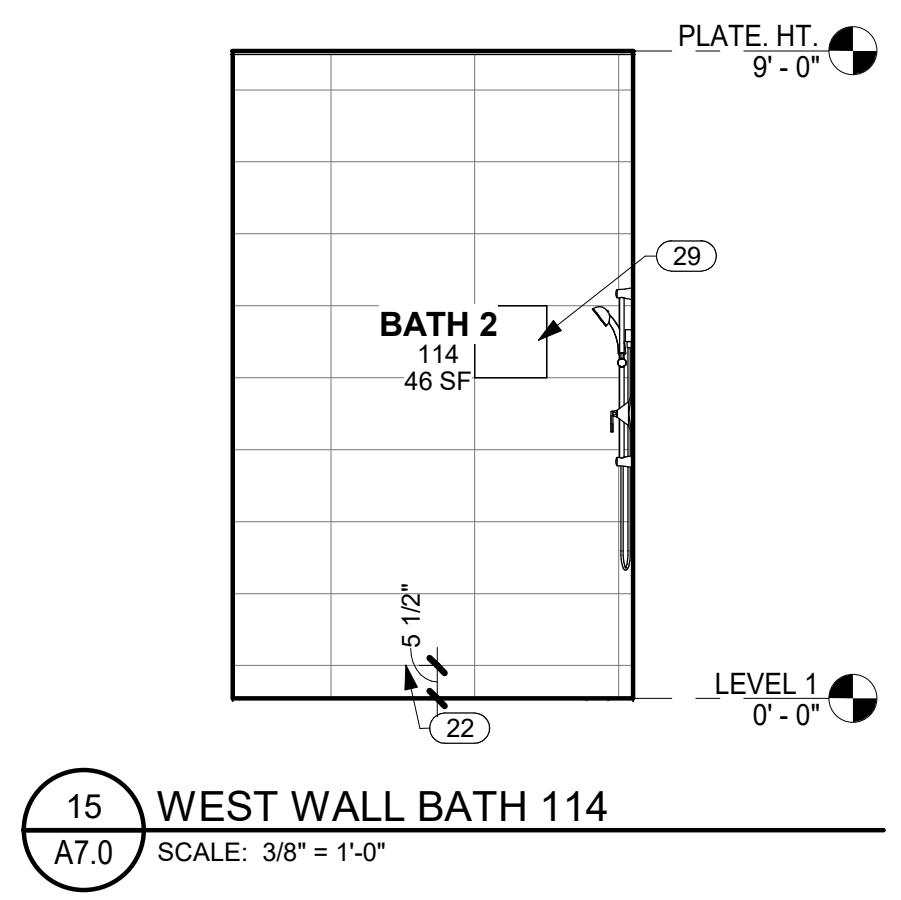
7 WEST WALL LAUNDRY 104
A7.0 SCALE: 3/8" = 1'-0"



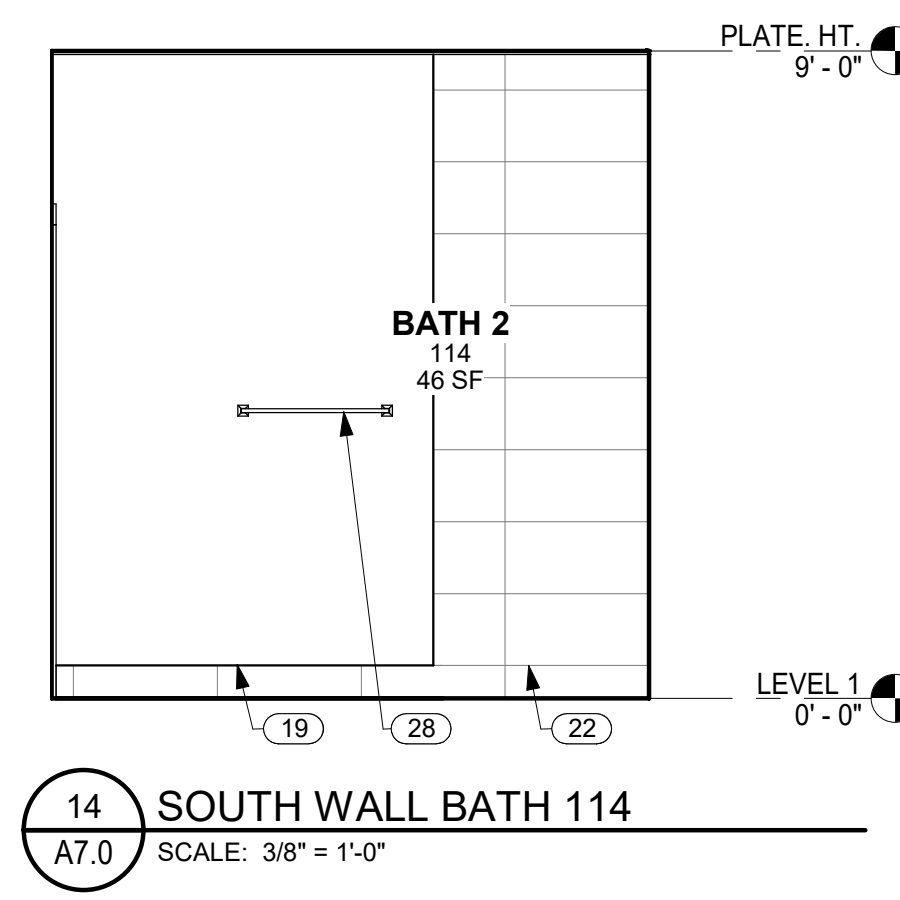
6 EAST WALL LAUNDRY 104
A7.0 SCALE: 3/8" = 1'-0"



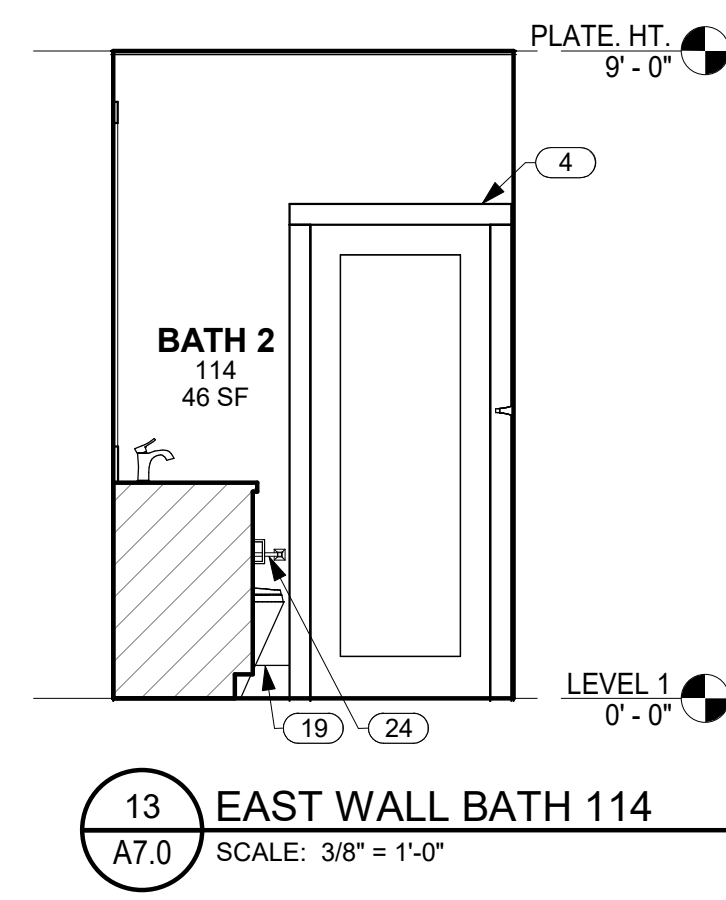
5 NORTH WALL LAUNDRY 104
A7.0 SCALE: 3/8" = 1'-0"



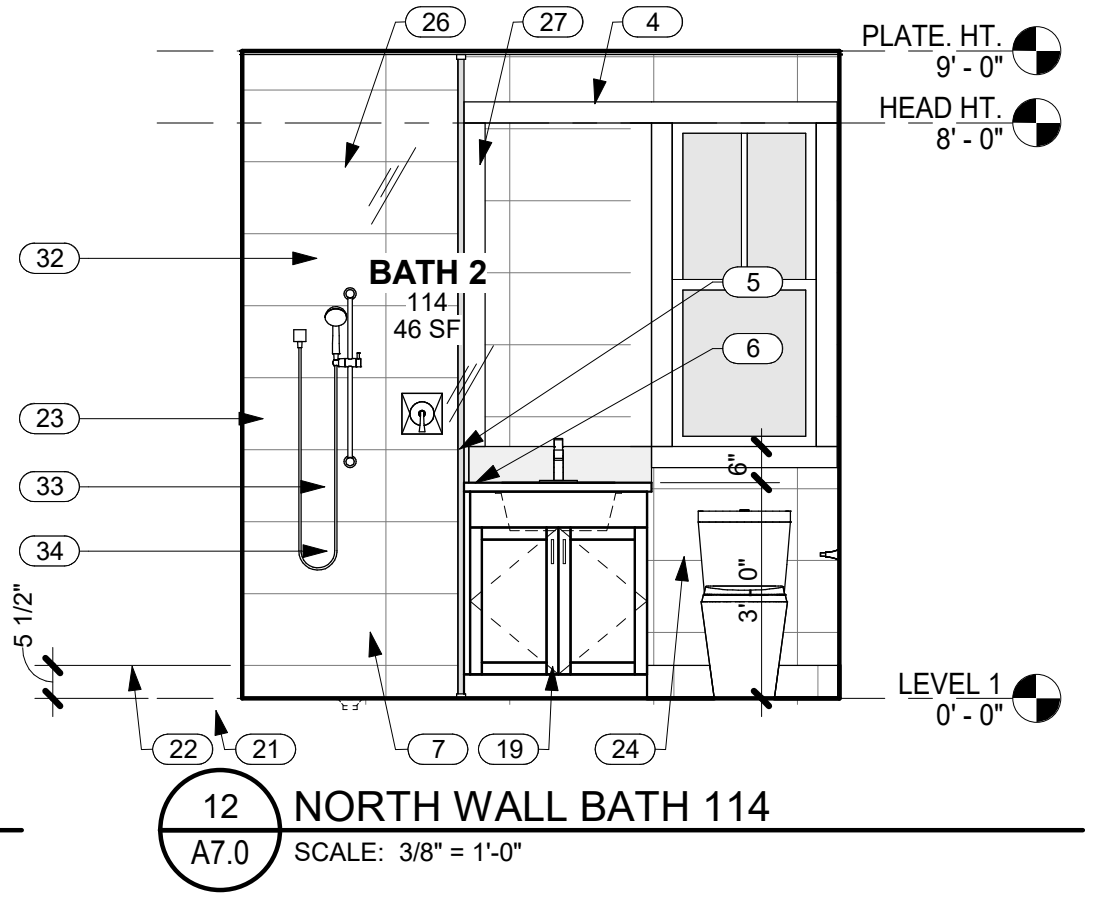
15 WEST WALL BATH 114
A7.0 SCALE: 3/8" = 1'-0"



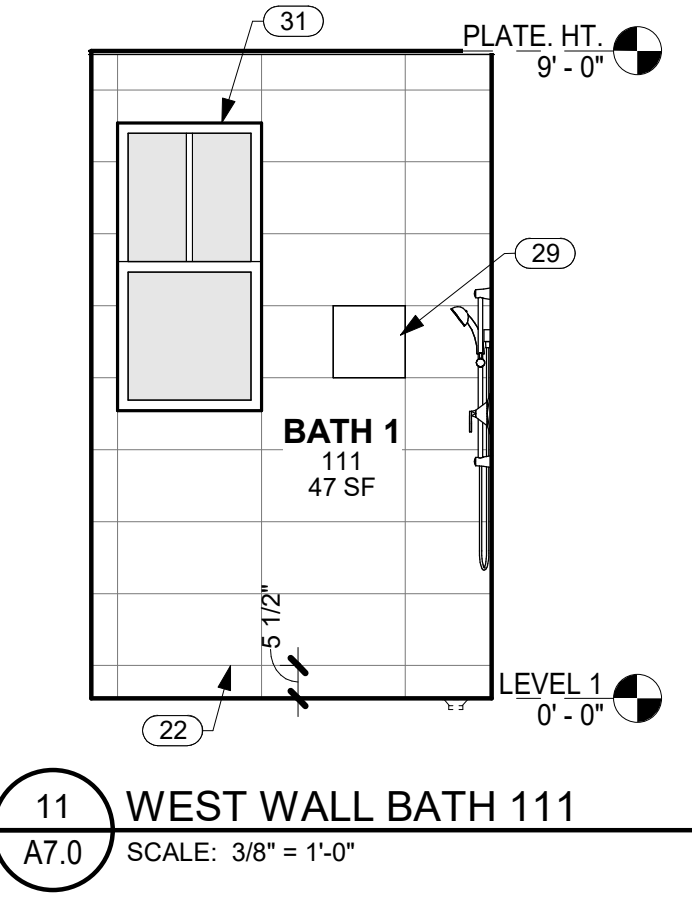
14 SOUTH WALL BATH 114
A7.0 SCALE: 3/8" = 1'-0"



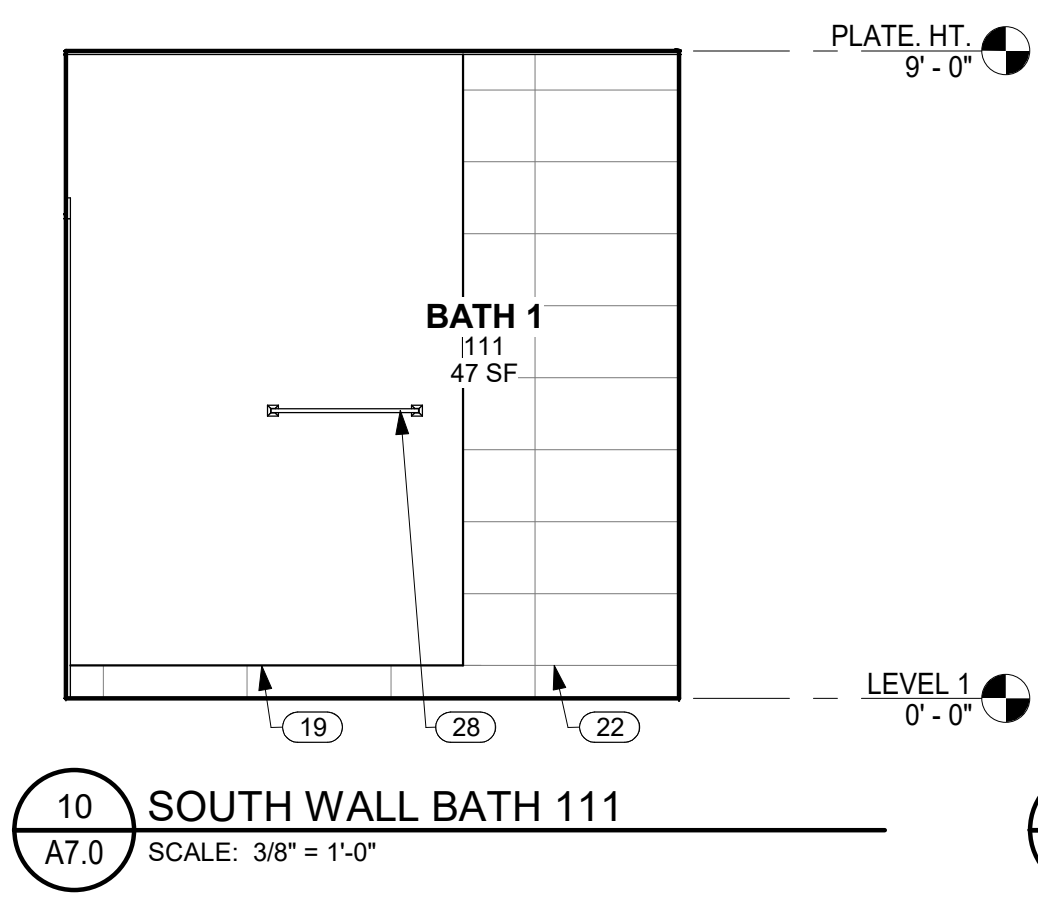
13 EAST WALL BATH 114
A7.0 SCALE: 3/8" = 1'-0"



12 NORTH WALL BATH 114
A7.0 SCALE: 3/8" = 1'-0"



11 WEST WALL BATH 111
A7.0 SCALE: 3/8" = 1'-0"



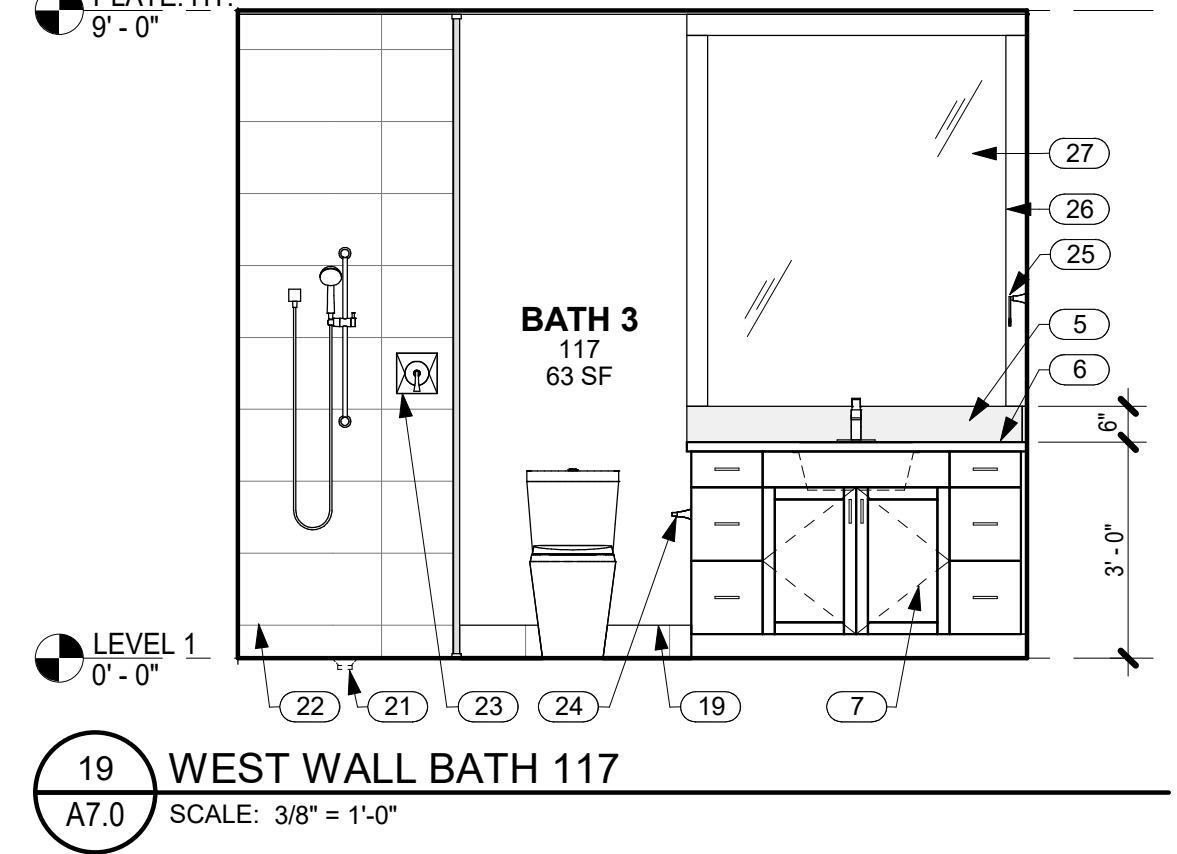
10 SOUTH WALL BATH 111
A7.0 SCALE: 3/8" = 1'-0"

KEYNOTES

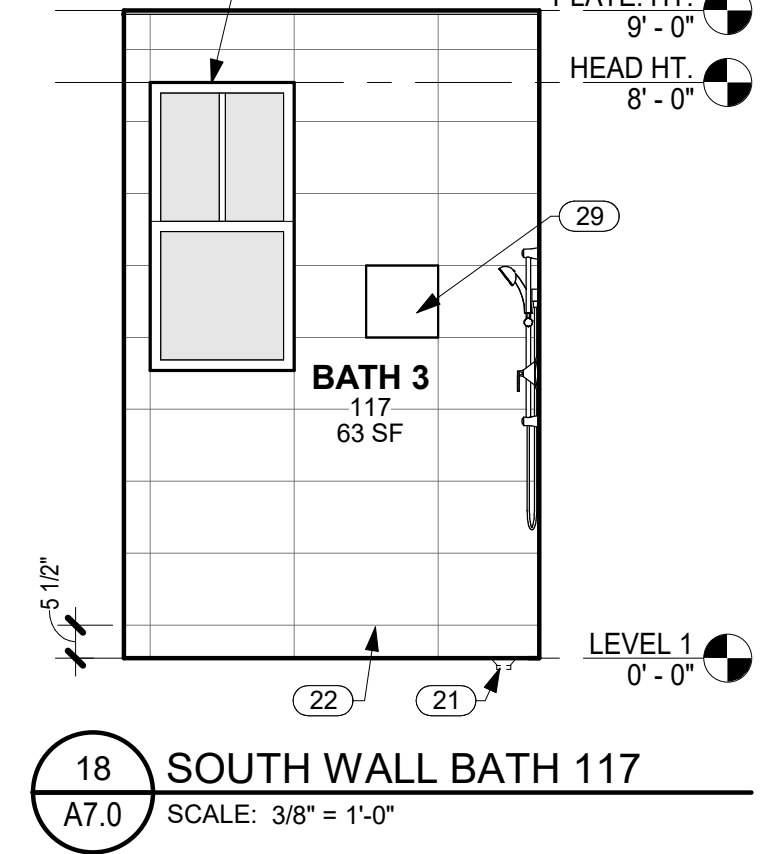
NO.	NOTE
20	5/8" GYP. BD. VAULTED CEILING W/ GRASS CLOTH AND STAINED WOOD TRIM @1/2 SLOPE.
21	FLUSH SQUARE DRAIN.
22	TILE.
23	SHOWER CONTROLS.
24	TISSUE HOLDER.
25	TOWEL RING MOUNTED @ 5'-0" A.F.F.
26	3/4" X 3 1/2" TRIM @ MIRRORS, TYP.
27	MIRROR.
28	TOWEL BAR MOUNTED @ 4'-0" A.F.F.
29	RECESS FOR SOAP/SHAMPOO.
30	2' HIGH FRETWORK PANEL BOTH SIDES.
31	WRAP TILE INSIDE WINDOW AND DOOR OPENINGS @ TILE WALLS TYP.
32	FULL HT. GLASS WALL @ SHOWER, 1/2" TEMP. CLEAR, FRAMELESS, GLAZING CHANNEL TOP AND BOTTOM.
33	FINISHED EDGES AT COUNTERTOP AND SPLASH.
34	FINISHED END PANEL.
35	LED UNDERCABINET LIGHTING.

KEYNOTES

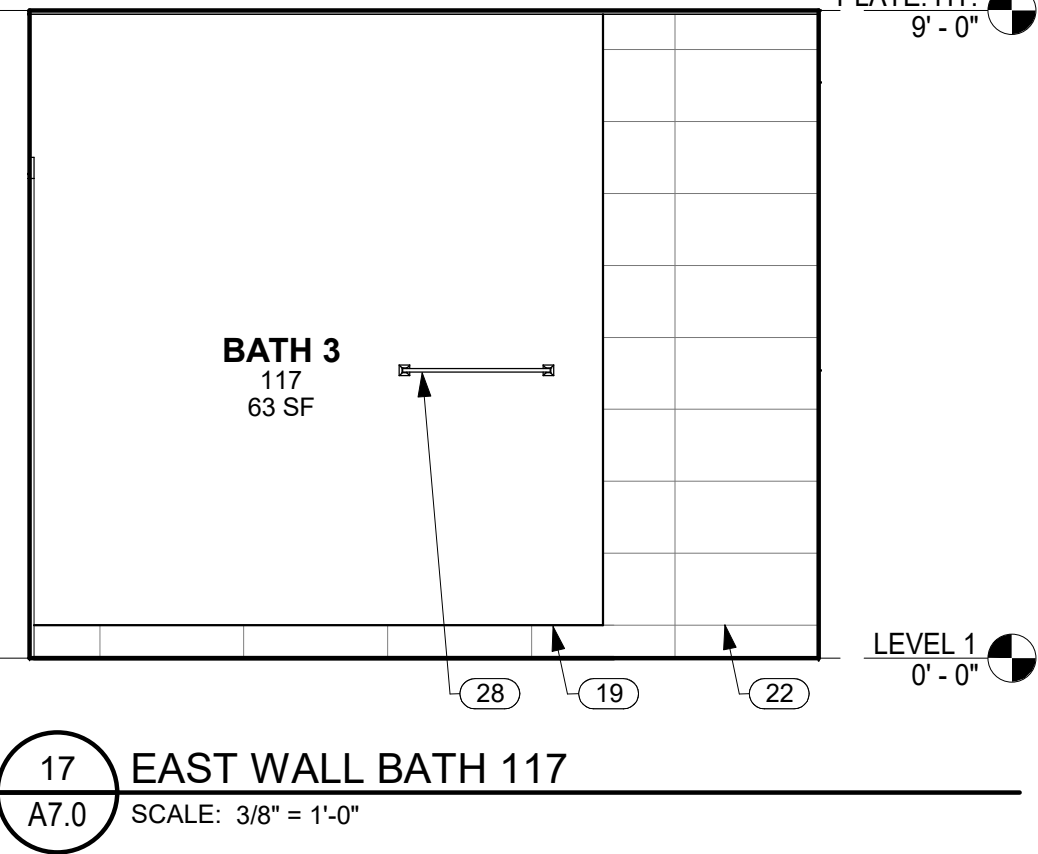
NO.	NOTE
1	UPPER CABINETS.
2	CROWN MOLDING.
3	STAINED WOOD TRIM.
4	3/4" X 3 1/2" TRIM @ DOORS AND WINDOWS TYP.
5	3/4" THICK BACKSPLASH; STONE.
6	3/4" THICK W/ 1 1/2" EDGE; STONE.
7	CABINETS OR DRAWERS.
8	DISHWASHER.
9	REFRIGERATOR.
10	2 X 4 STUDS.
11	4 X 12 BEAM.
12	MICROWAVE.
13	OVEN.
14	GAS RANGETOP.
15	RANGE HOOD.
16	5/8" X 5 1/2" WOOD BASE.
17	DRYER.
18	WASHER.
19	5 1/2" TILE BASE.



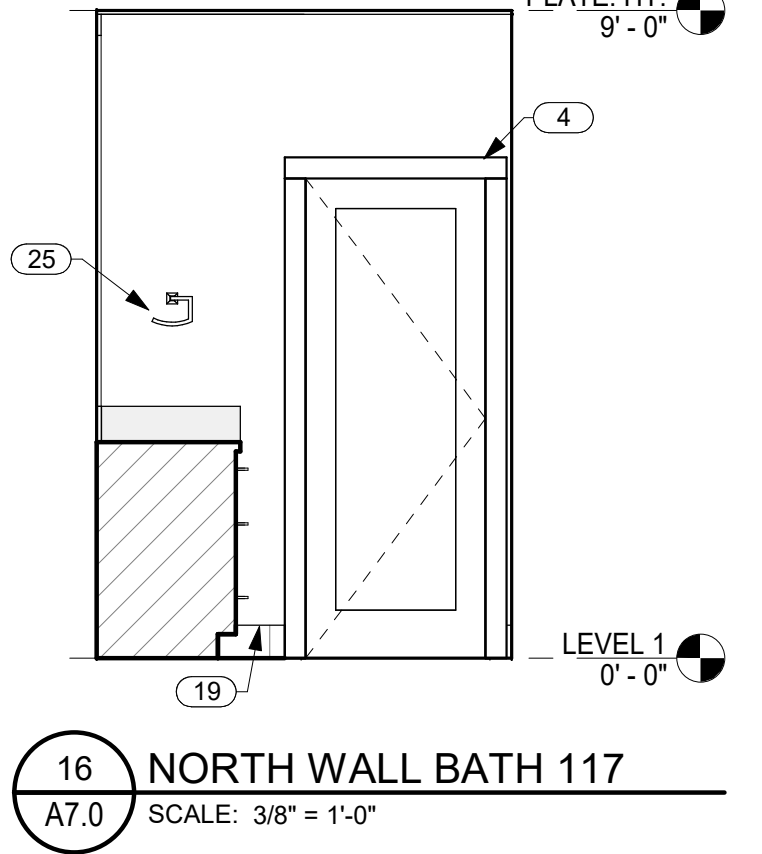
19 WEST WALL BATH 117
A7.0 SCALE: 3/8" = 1'-0"



18 SOUTH WALL BATH 117
A7.0 SCALE: 3/8" = 1'-0"



17 EAST WALL BATH 117
A7.0 SCALE: 3/8" = 1'-0"



16 NORTH WALL BATH 117
A7.0 SCALE: 3/8" = 1'-0"



THIS WORK WAS PREPARED BY ME OR UNDER MY SUPERVISION. CONSTRUCTION OF THIS PROJECT WILL BE UNDER MY OBSERVATION.

SIGNATURE
EXPIRATION 4/30/22

GENERAL CONTRACTOR:

REVISIONS	NO.	DESCRIPTION	DATE
	1	ISSUE FOR CONSULTANTS	2/2/22
	2	ISSUE FOR SUBMISSION	2/2/22
	4	FINAL DR. SUBMISSION	2/2/22

SINGLE FAMILY RESIDENCE
LOT 24 NOHEA, PHASE 1
TMK: 3-6-8-043:024
 NOHEA AT MAUNA LANI, LLC
 101 HODENCAMP RD. SUITE 200
 THOUSAND OAKS, CA 91360
 PH: 805-494-7704 FAX: 805-494-1226

CRAIG MONAGHAN, ARCHITECT
 4522 LOWER DR. LAKE OSWEGO, OR 97035
 PH: 503-522-9000
 monaghan.craig@gmail.com

DATE 02/08/22

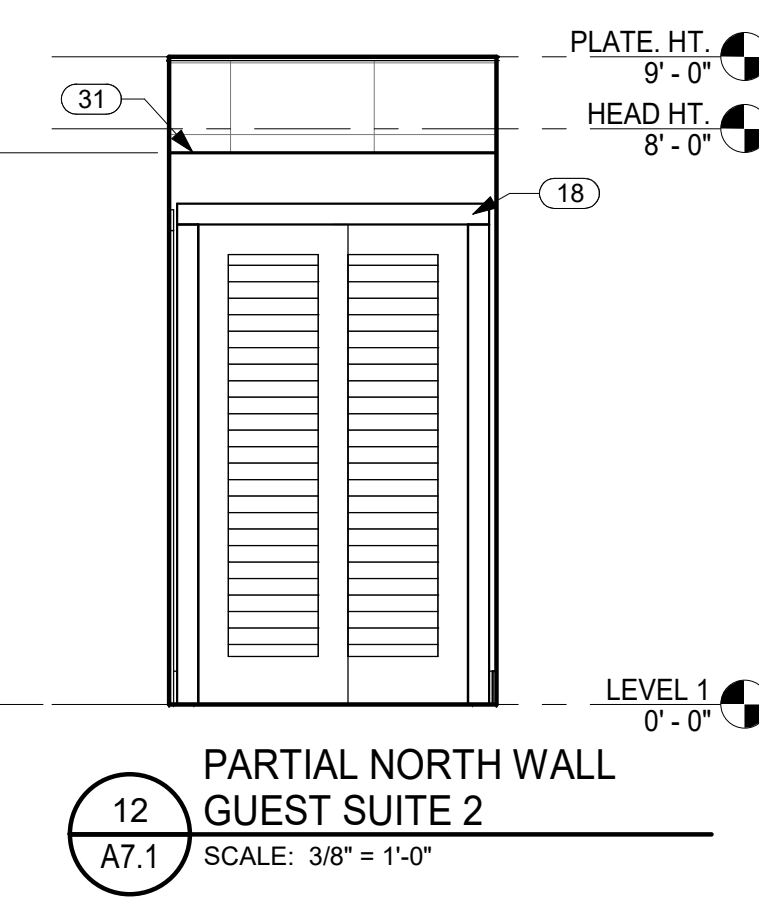
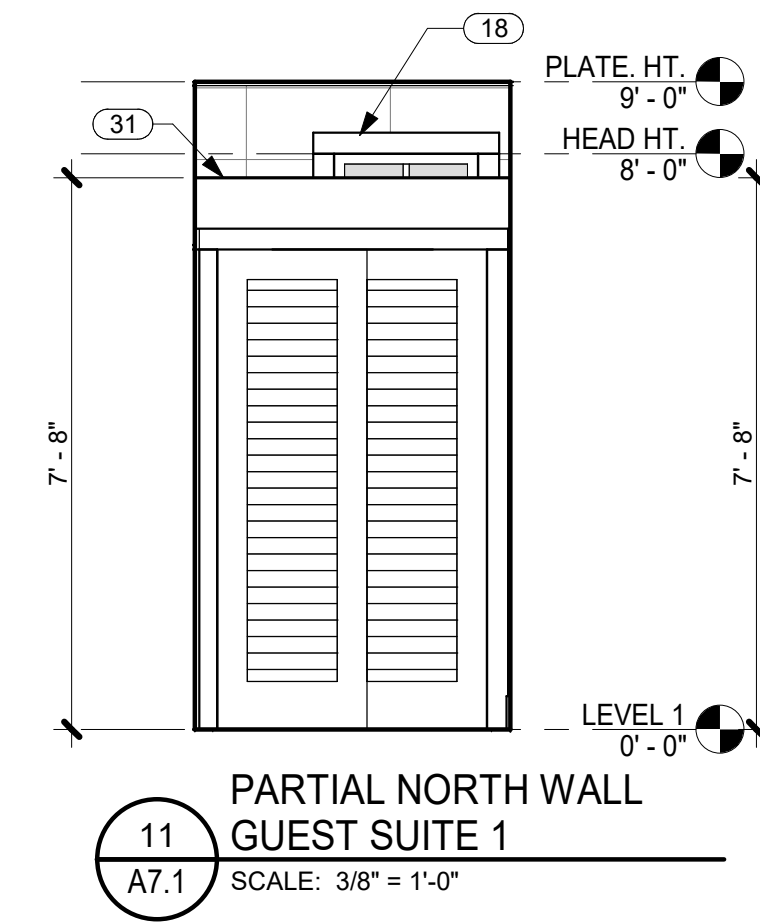
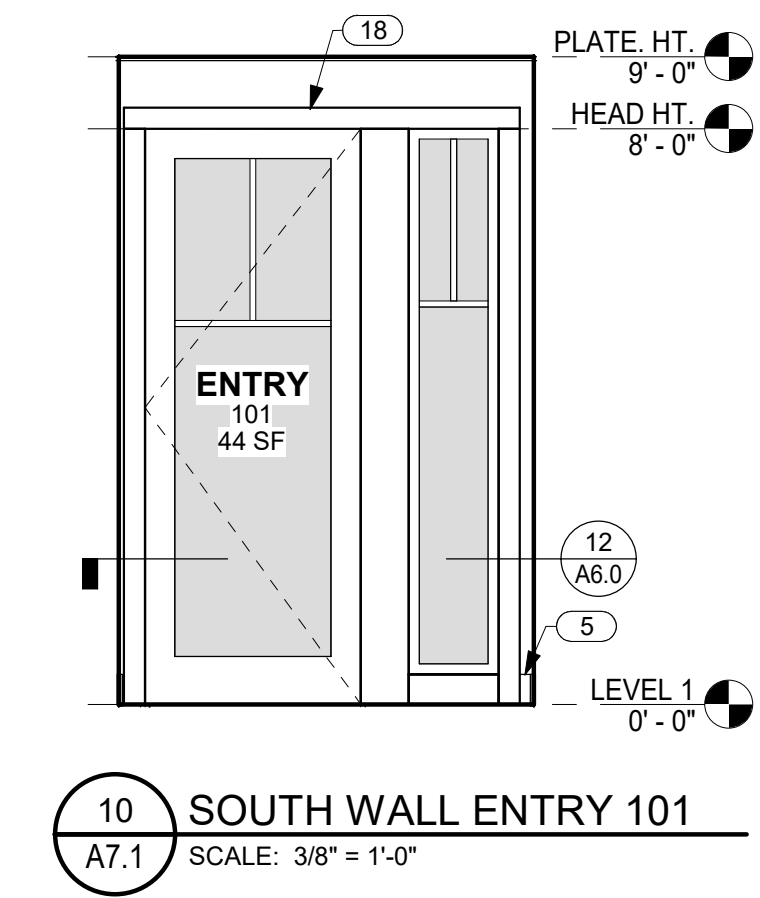
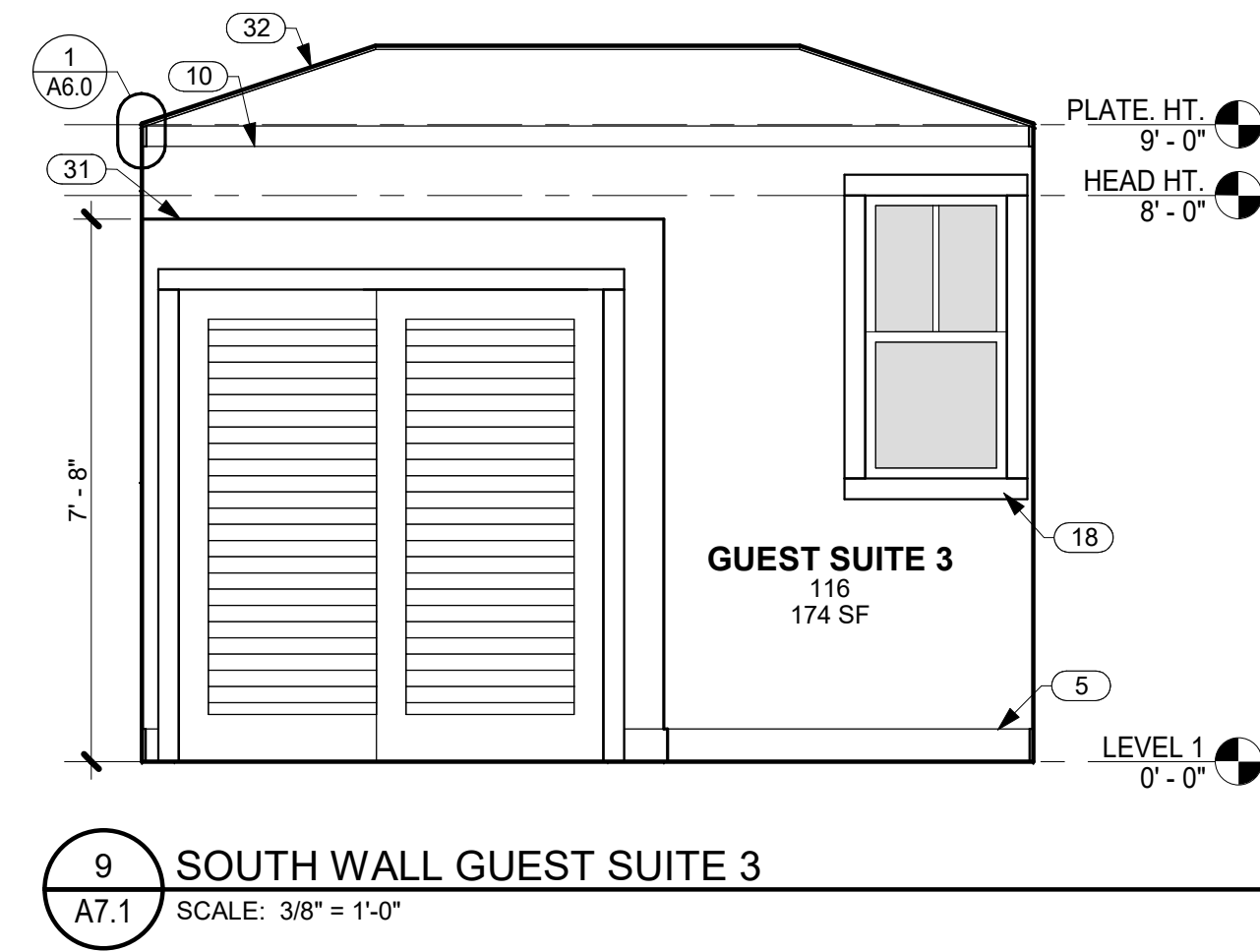
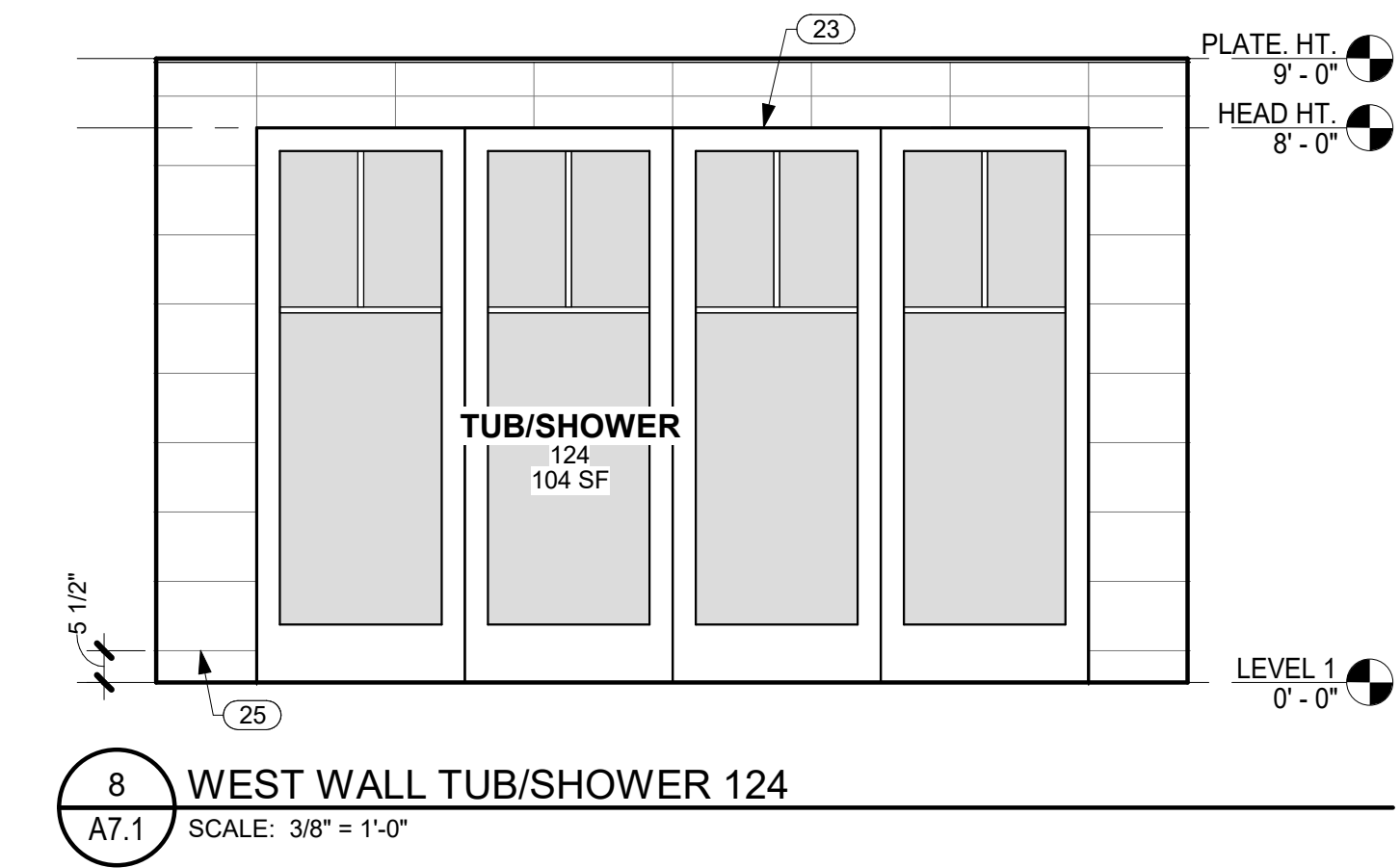
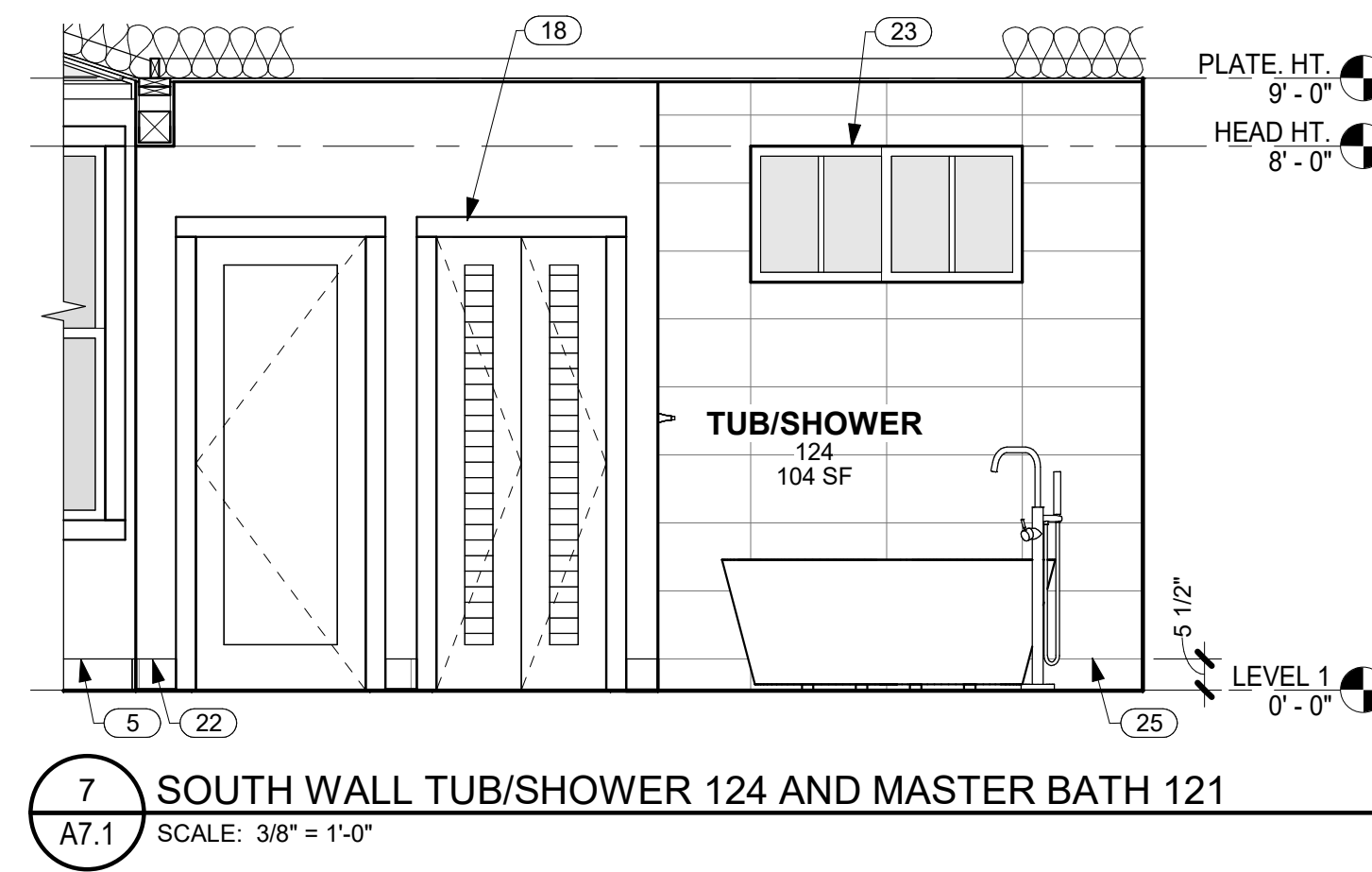
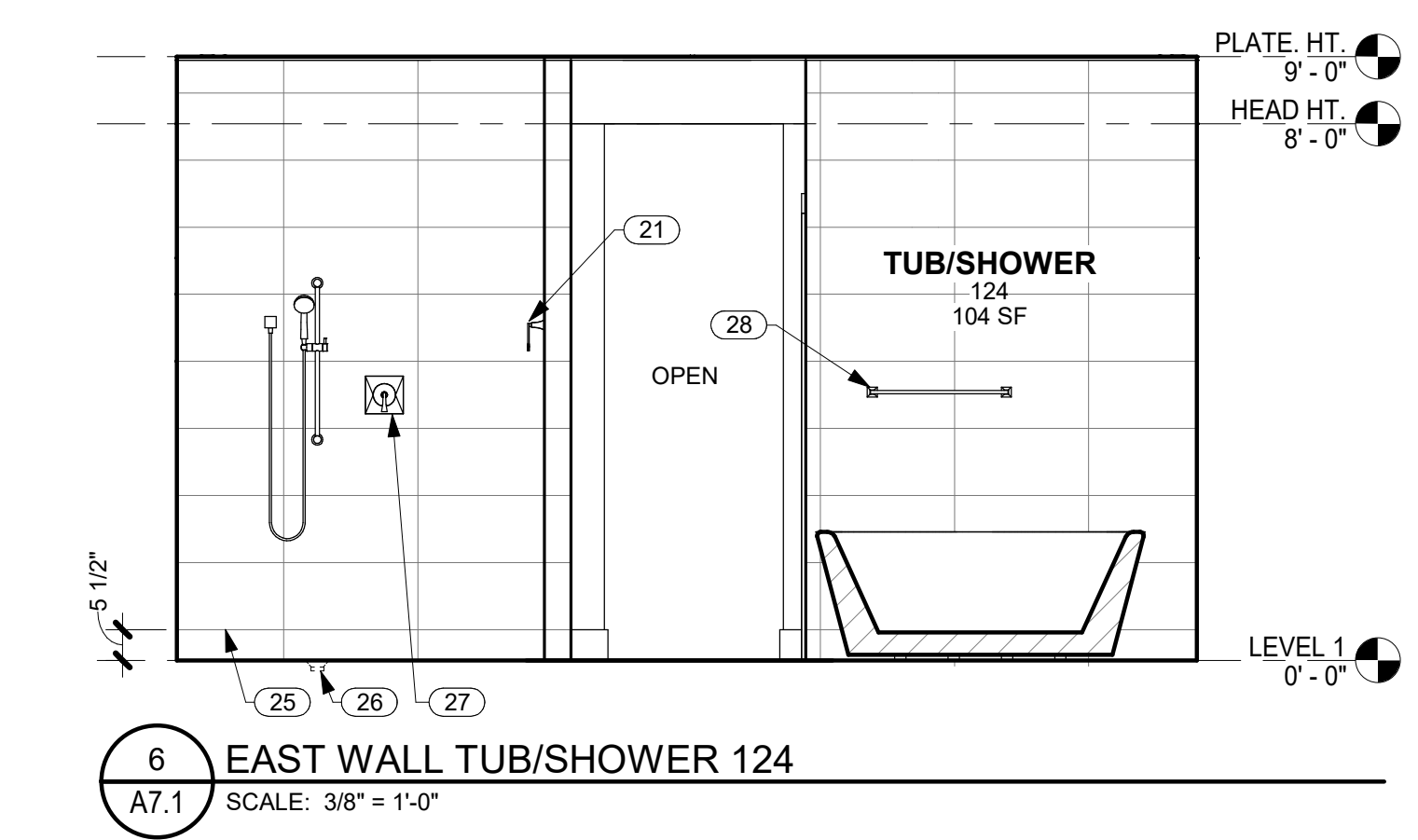
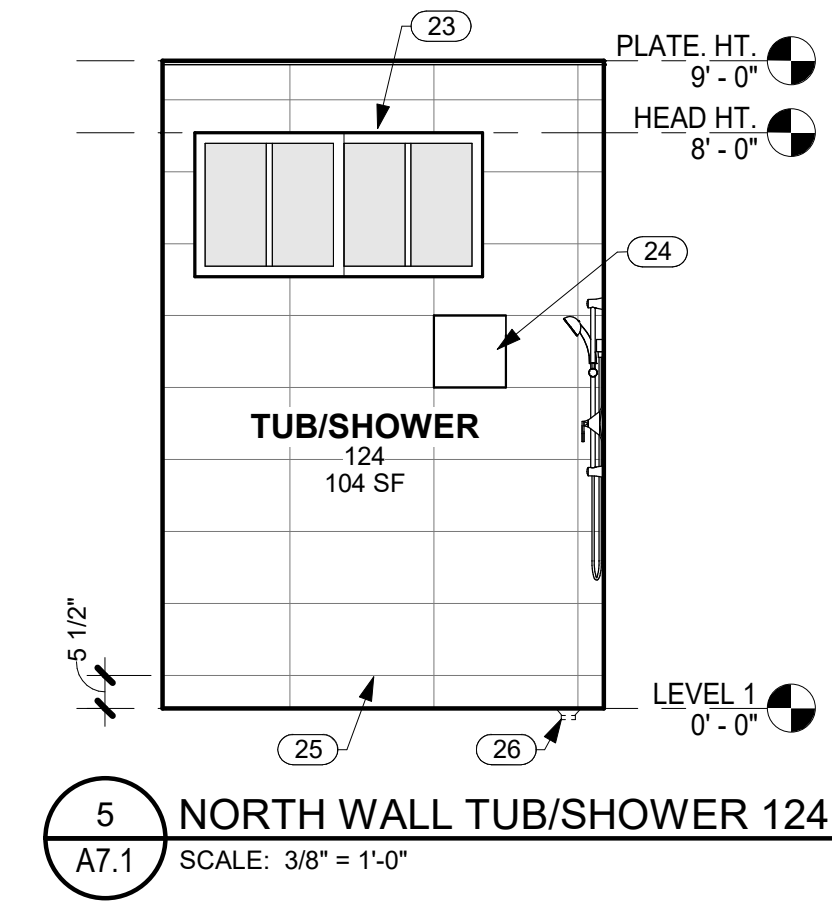
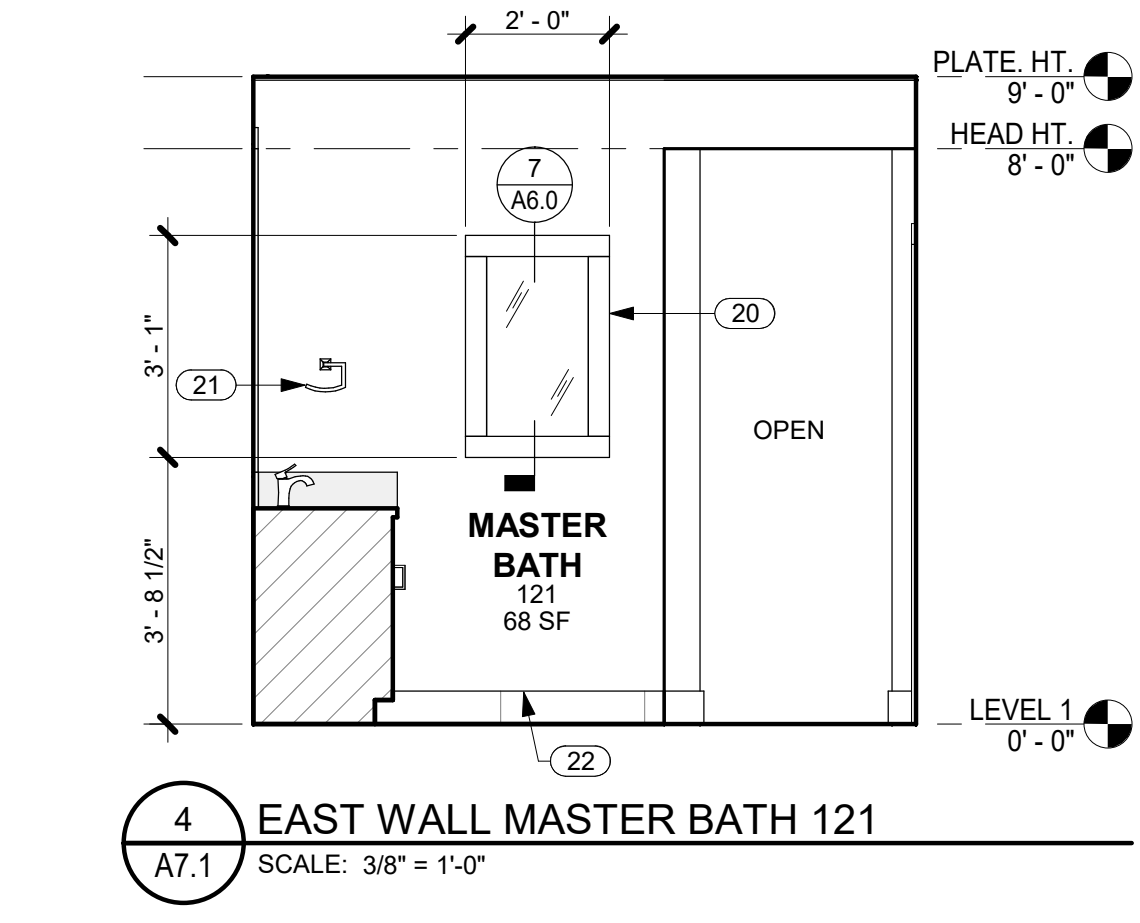
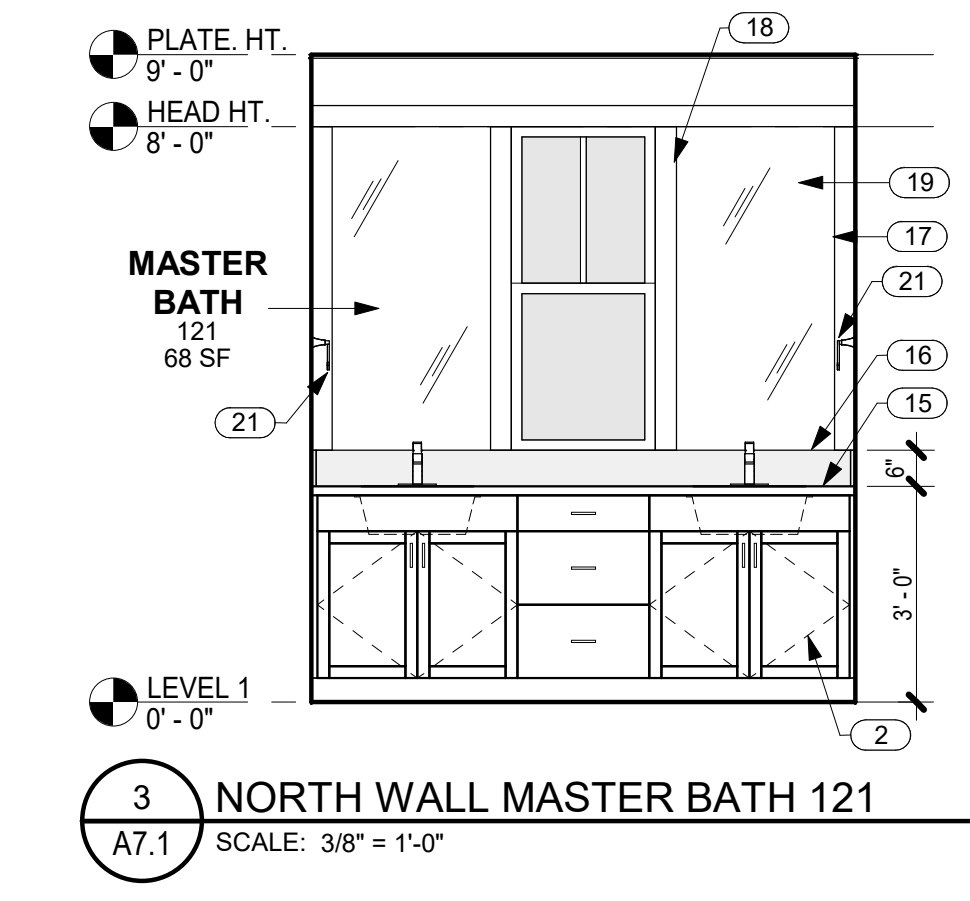
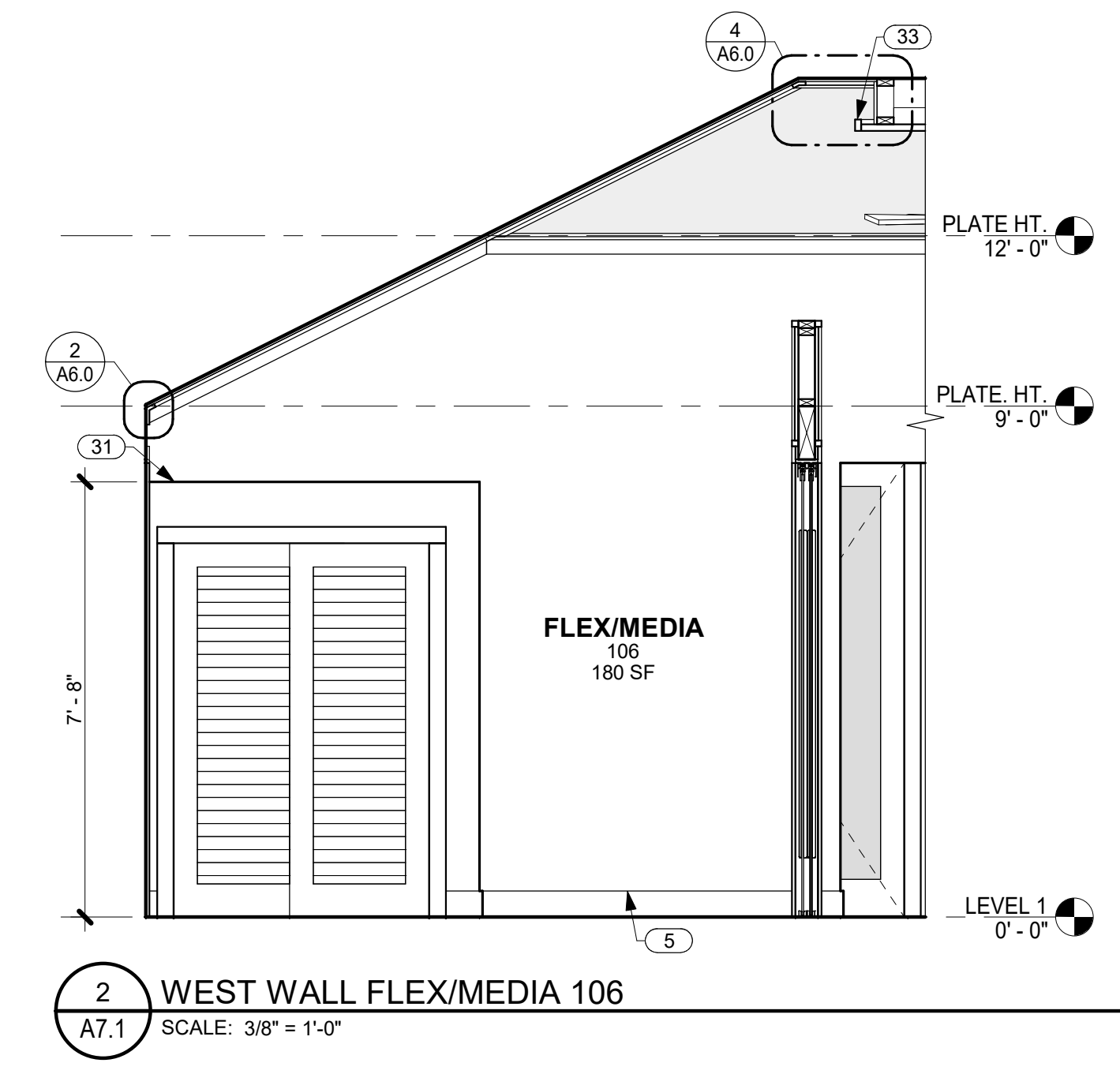
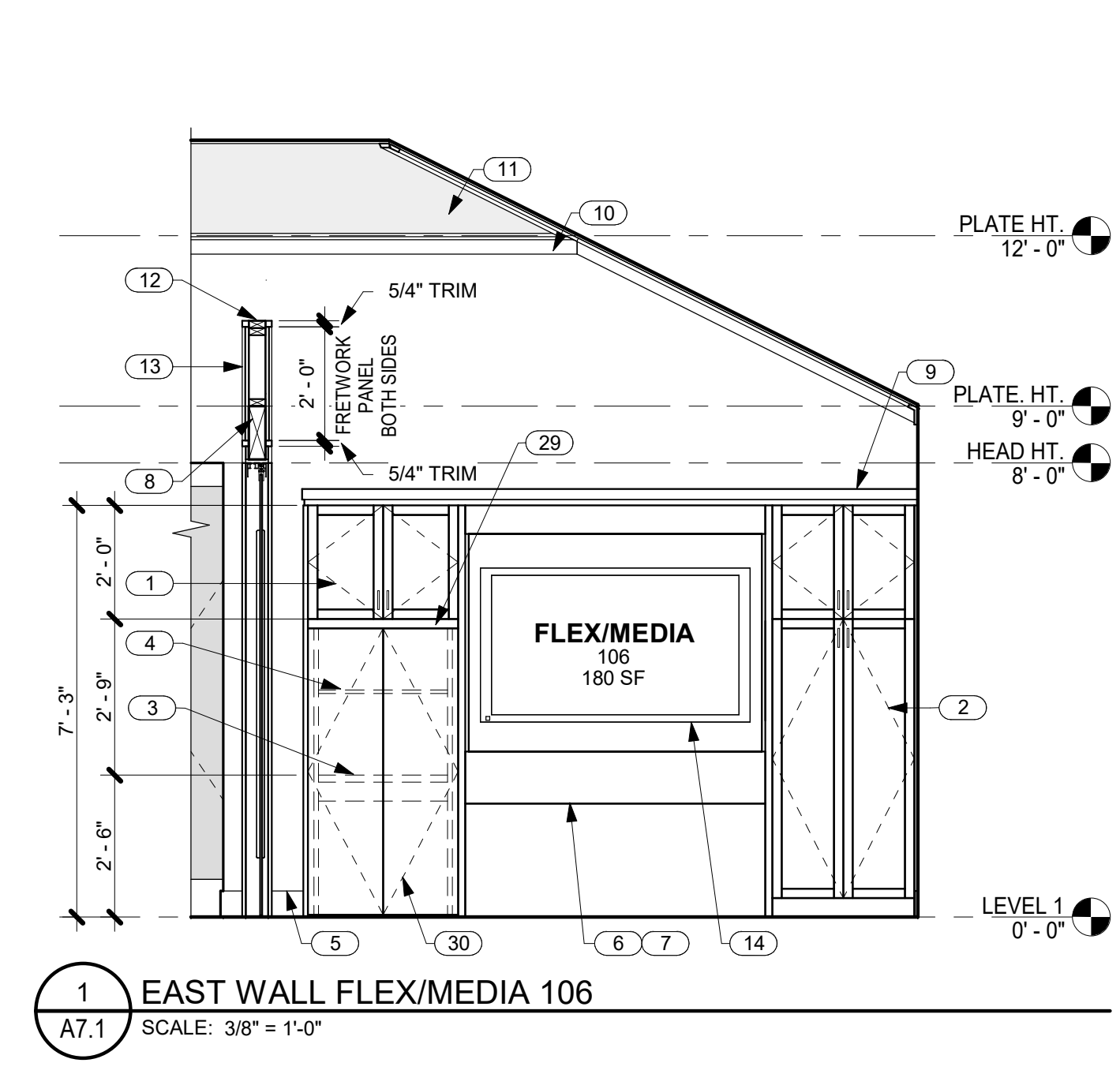
SCALE 3/8" = 1'-0"

SHEET

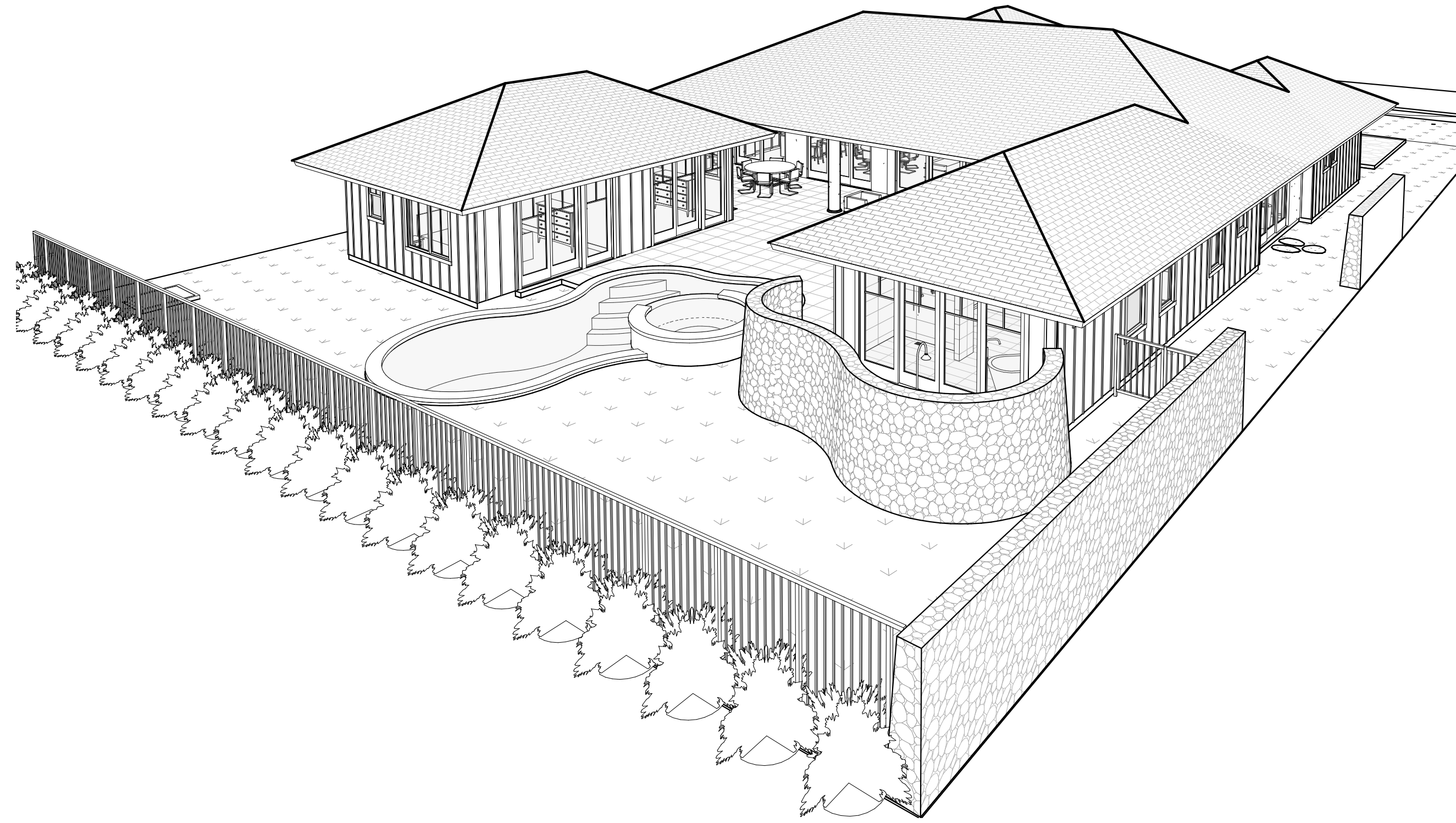
INTERIOR ELEVATIONS

SHEET

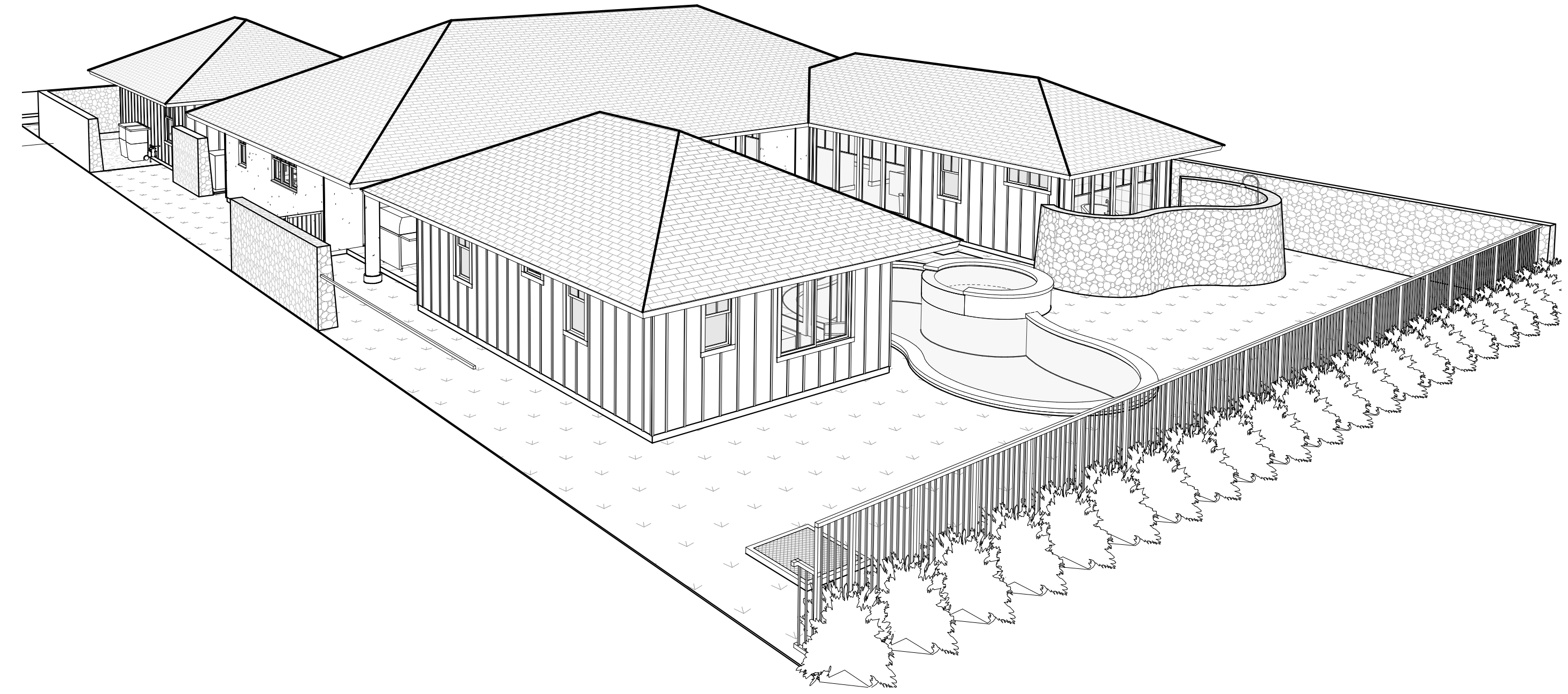
A7.1



NO.	NOTE
1	UPPER CABINETS.
2	CABINETS OR DRAWERS.
3	DESK BEYOND.
4	ADJUSTABLE SHELF BEYOND.
5	5/8" X 5 1/2" WOOD BASE.
6	ZOOM BED ENCLOSURE.
7	QUEEN SIZE ZOOM BED ONLY TO BE INSTALLED IN FLEX/MEDIA CABINET.
8	4 X 12 BEAM.
9	CROWN MOLDING.
10	STAINED WOOD TRIM.
11	5/8" GYP. BD. VAULTED CEILING W/ GRASS CLOTH AND STAINED WOOD TRIM 6/12 SLOPE.
12	2 X 4 STUDS.
13	2" HIGH FRETWORK PANEL BOTH SIDES.
14	T.V.
15	3/4" THICK W/ 1 1/2" EDGE: STONE.
16	3/4" THICK BACKPLASH: STONE.
17	3/4" X 3 1/2" TRIM @ MIRRORS, TYP.
18	3/4" X 3 1/2" TRIM @ DOORS AND WINDOWS TYP.
19	MIRROR.
20	MEDICINE CABINET.
21	TOWEL RING MOUNTED @ 5'-0" A.F.F.
22	5 1/2" TILE BASE.
23	WRAP TILE INSIDE WINDOW AND DOOR OPENINGS @ TILE WALLS TYP.
24	RECESS FOR SOAP/SHAMPOO.
25	TILE.
26	FLUSH SQUARE DRAIN.
27	SHOWER CONTROLS.
28	TOWEL BAR MOUNTED @ 4'-0" A.F.F.
29	LED BEHIND TRIM.
30	RETRACTABLE DOORS.
31	TOP OF CLOSET WALL @ +7'-8" A.F.F.
32	5/8" GYP. BD. VAULTED CEILING 4/12 SLOPE.
33	FRETWORK PANEL.



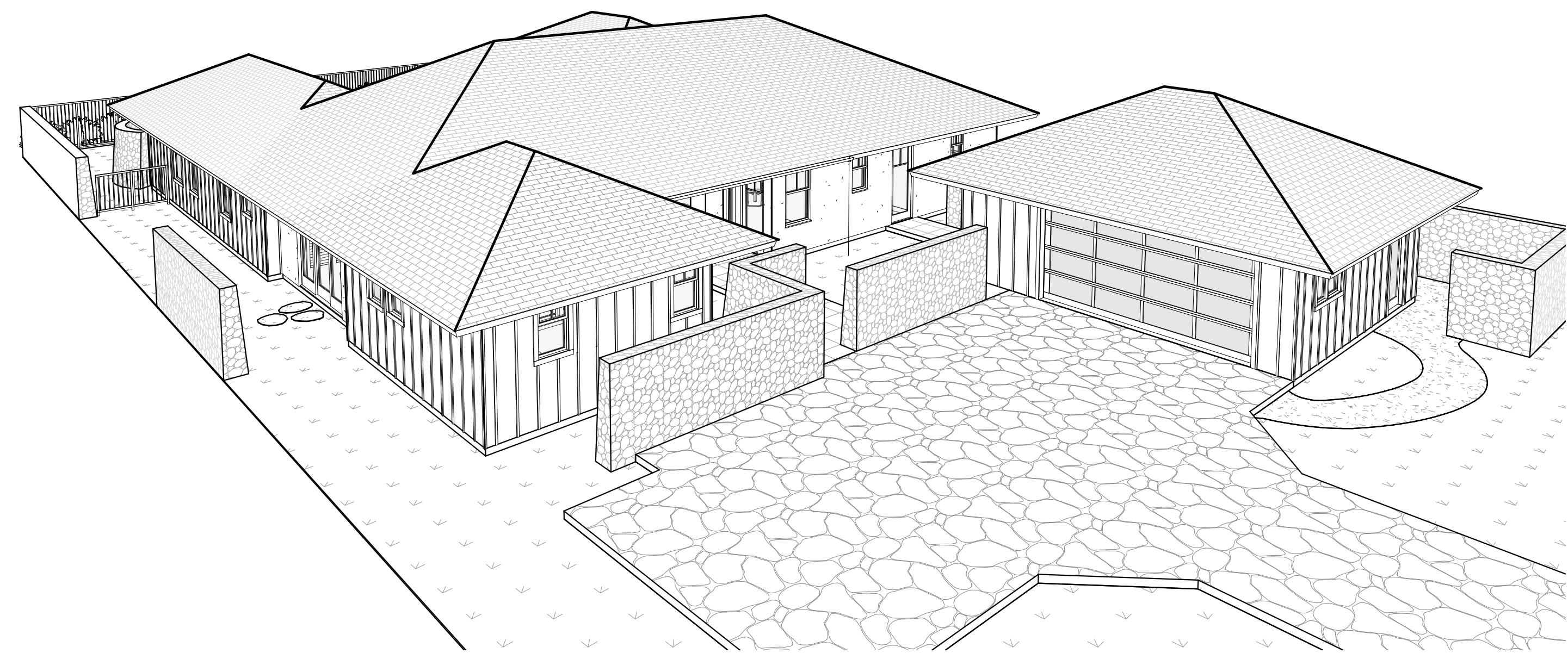
1 3D View 1
A8.0 SCALE:



2 3D View 2
A8.0 SCALE:



3 3D View 3
A8.0 SCALE:



4 3D View 4
A8.0 SCALE:



THIS WORK WAS PREPARED BY ME OR UNDER MY SUPERVISION. CONSTRUCTION OF THIS PROJECT WILL BE UNDER MY OBSERVATION.

SIGNATURE
EXPIRATION 4/30/22

GENERAL CONTRACTOR:

REVISIONS NO.	DESCRIPTION	DATE
1	ISSUE FOR PACKAGE	12/31/21
2	ISSUE TO CONSULTANTS	2/28/22
4	FINAL DR SUBMISSION	2/28/22

**SINGLE FAMILY RESIDENCE
LOT 24 NOHEA, PHASE 1
TMK: 3-6-8-043:024**
NOHEA AT MAUNA LANI, LLC
101 HODENCAMP RD. SUITE 200
THOUSAND OAKS, CA 91360
PH: 805-494-7704 FAX: 805-494-1226

CRAIG MONAGHAN, ARCHITECT
4522 LOWER DR. LAKE OSWEGO, OR 97035
PH: 503-522-9000
monaghan.craig@gmail.com

DATE 02/08/22

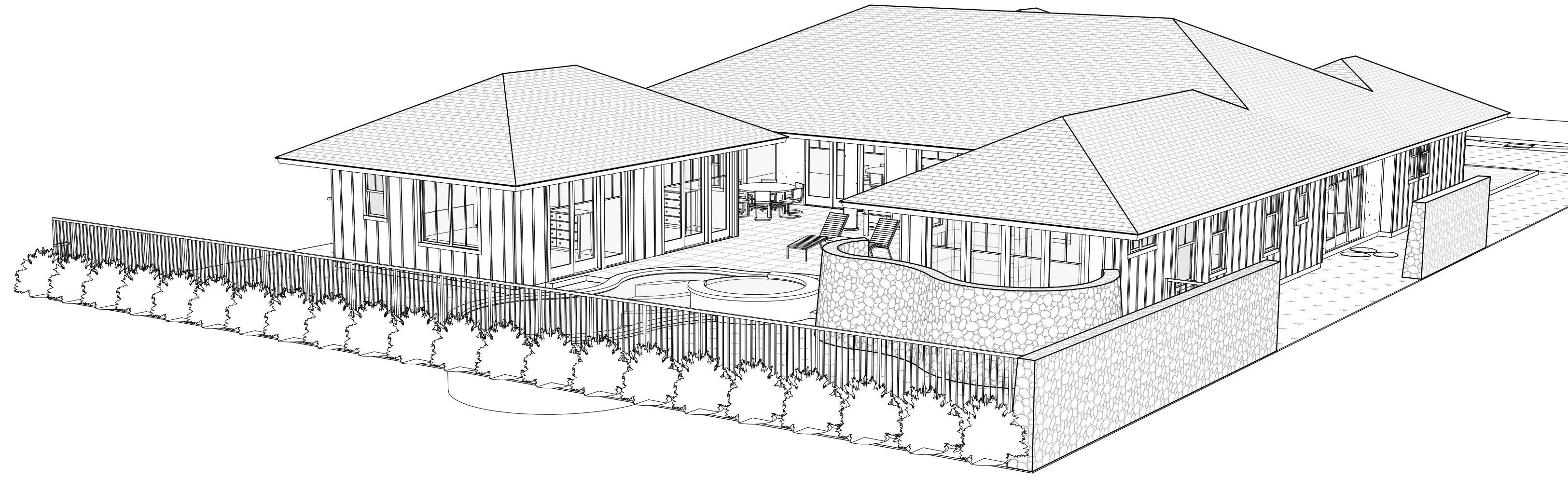
SCALE

SHEET

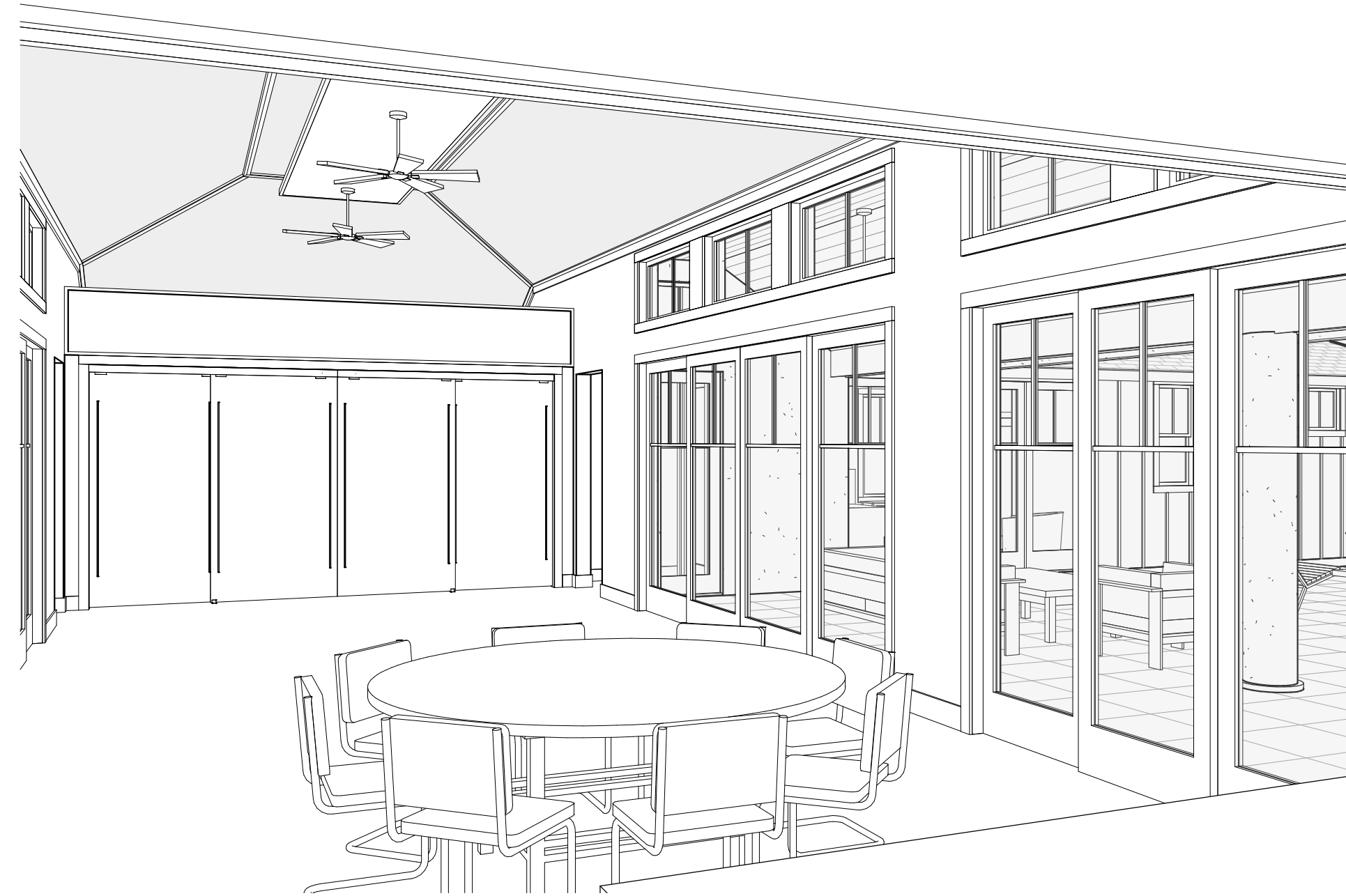
EXTERIOR 3D VIEWS

SHEET

A8.0



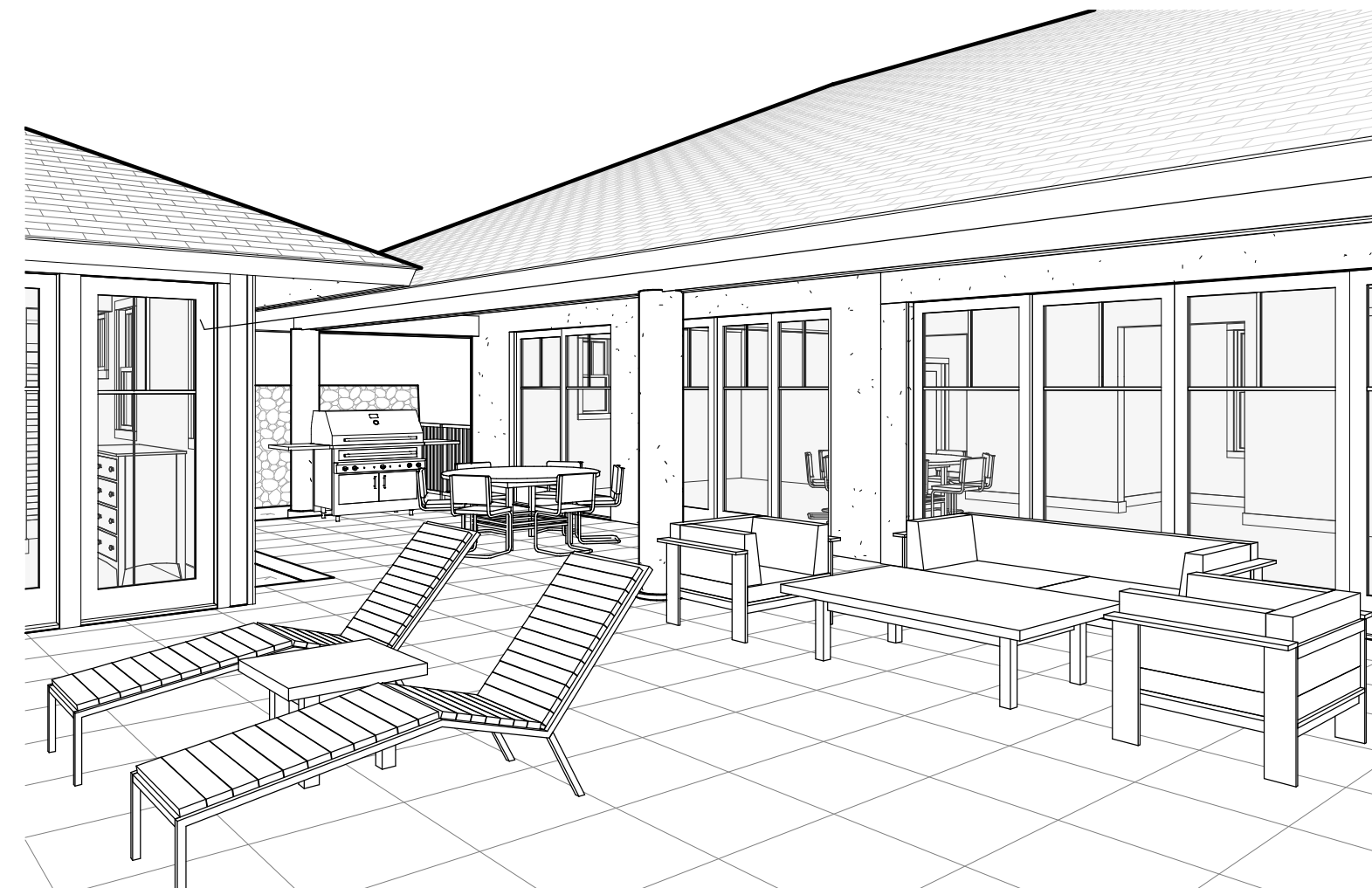
1 PERSPECTIVE VIEW LOOKING NORTHEAST
A8.1 NOT TO SCALE



2 PERSPECTIVE VIEW IN GREAT ROOM LOOKING SOUTH
A8.1 NOT TO SCALE



3 PERSPECTIVE VIEW @ WEST COVERED LANAI LOOKING SOUTH
A8.1 NOT TO SCALE



4 PERSPECTIVE VIEW @ WEST COVERED LANAI LOOKING NORTHEAST
A8.1 NOT TO SCALE



THIS WORK WAS PREPARED BY ME OR UNDER MY SUPERVISION. CONSTRUCTION OF THIS PROJECT WILL BE UNDER MY OBSERVATION.

SIGNATURE
EXPIRATION 4/30/22

GENERAL CONTRACTOR:

REVISIONS	DESCRIPTION	DATE
1	ISSUE FOR CONSULTANTS	2/2/22
2	FINAL DR SUBMISSION	2/8/22

SINGLE FAMILY RESIDENCE
LOT 24 NOHEA, PHASE 1
TMK: 3-6-8-043:024
 NOHEA AT MAUNA LANI, LLC
 101 HODENCAMP RD. SUITE 200
 THOUSAND OAKS, CA 91360
 PH: 805-494-7704 FAX: 805-494-1226

CRAIG MONAGHAN, ARCHITECT
 4522 LOWER DR. LAKE OSWEGO, OR 97035
 PH: 503-522-9000
 monaghan.craig@gmail.com

DATE 02/08/22

SCALE

SHEET

PERSPECTIVE VIEWS

SHEET

A8.1